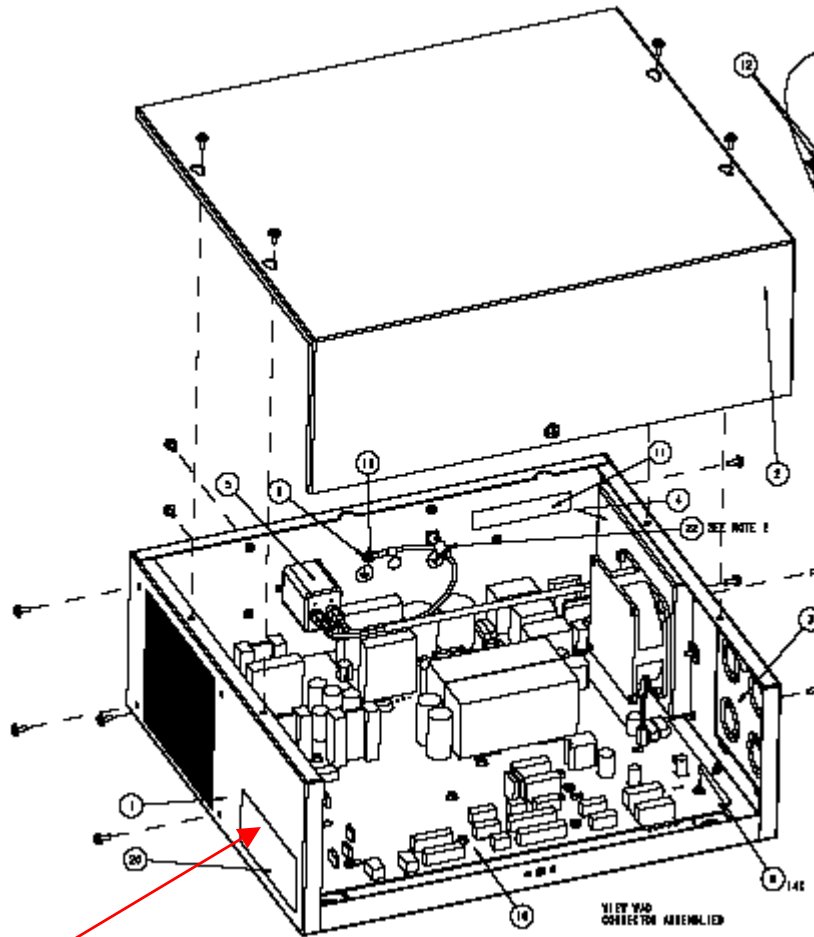


AMS-9030 Label Position



Label Position

The label is a metalized polyester that is UL recognized and is permanently affixed using an L-23 adhesive.