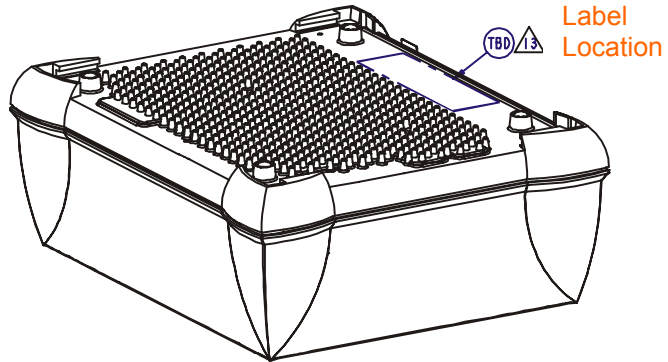
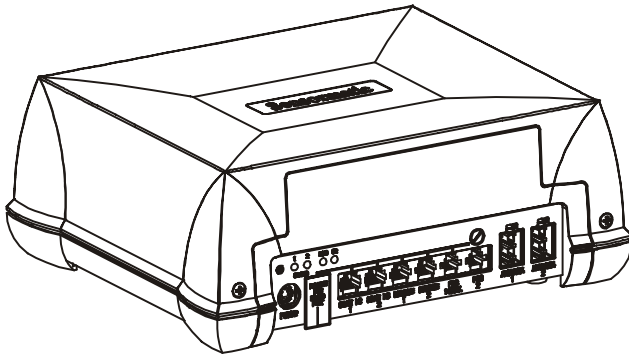


PRELIMINARY COPY  
FOR REVIEW PURPOSES ONLY



COMPLETED ASSEMBLY



NOTES:



APPLY ITEM TBD AT APPROXIMATE LOCATION.  
ENSURE BASE IS CLEANED PRIOR TO APPLICATION.

PRELIMINARY COPY  
FOR REVIEW PURPOSES ONLY

DIMENSIONS ARE IN mm UNLESS OTHERWISE SPECIFIED		SENSORMATIC ELECTRONICS CORPORATION	
DO NOT SCALE DRAWING		8000 BAYVIEW, FL 33441, USA	
ANSI STANDARD Y14.5M - 1992 APPLY		DESIGNED BY	W. J. FRIEND
THIS DRAWING MAY CONTAIN PATENTED OR PROPRIETARY INFORMATION AND MUST NOT BE USED FOR REPRODUCTION OR ANY OTHER PURPOSE WITHOUT THE EXPRESS WRITTEN CONSENT OF SENSORMATIC ELECTRONICS. ACCEPTANCE OF THIS DRAWING WILL BE CONSIDERED AN AGREEMENT TO AND ACCEPTANCE OF THE FOREGOING.		CHECKED BY	D. RAYMOND
THIRD ANGLE PROJECTION		DATE	11/11/01
		TITLE	ASSY. AMB-9020, DUAL ANTENNA
		SCALE	C
		DRAWING NUMBER	C0101-0094-01
		PROF. SCALE	1:100
		SHEET 3 OF 3	