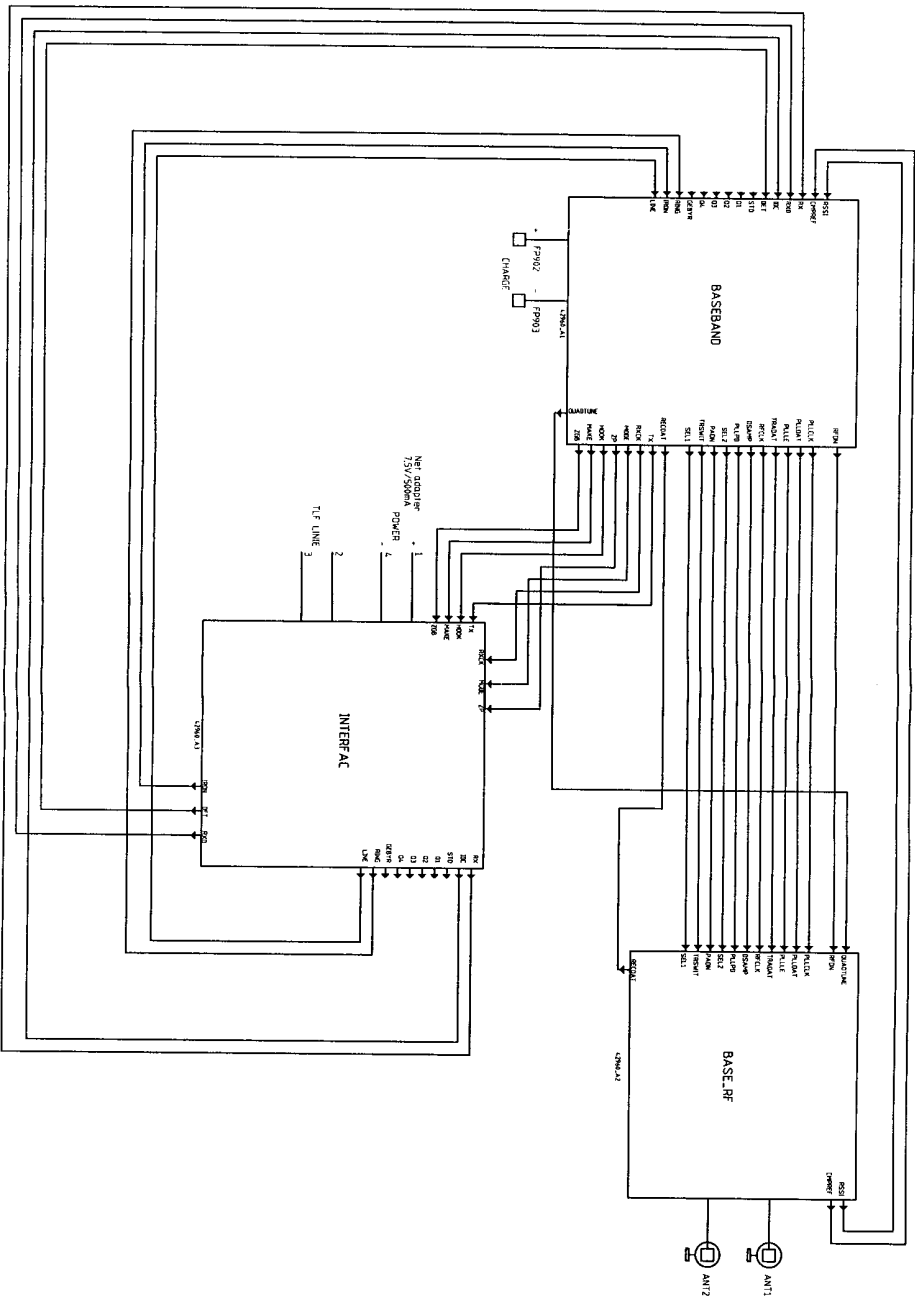
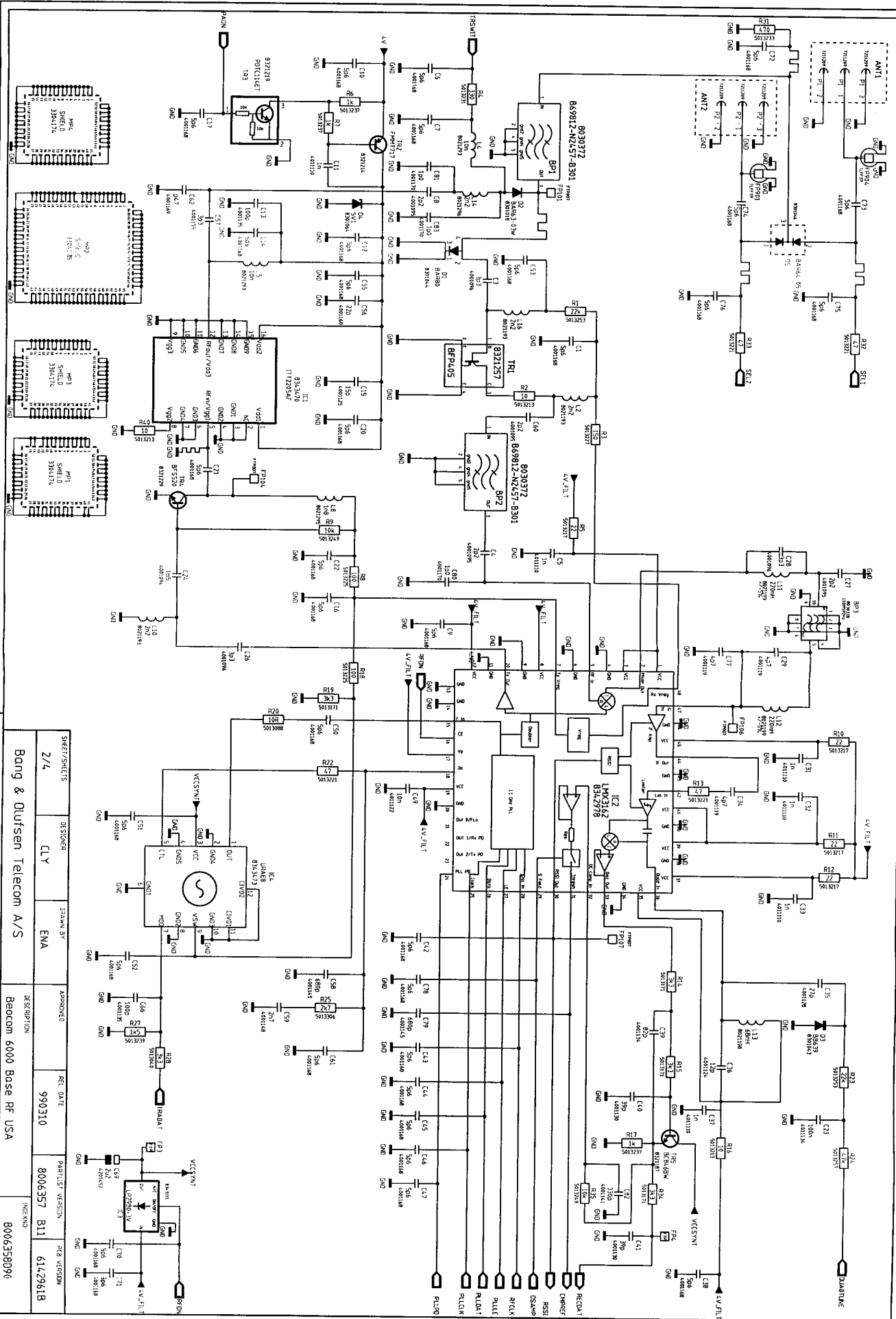


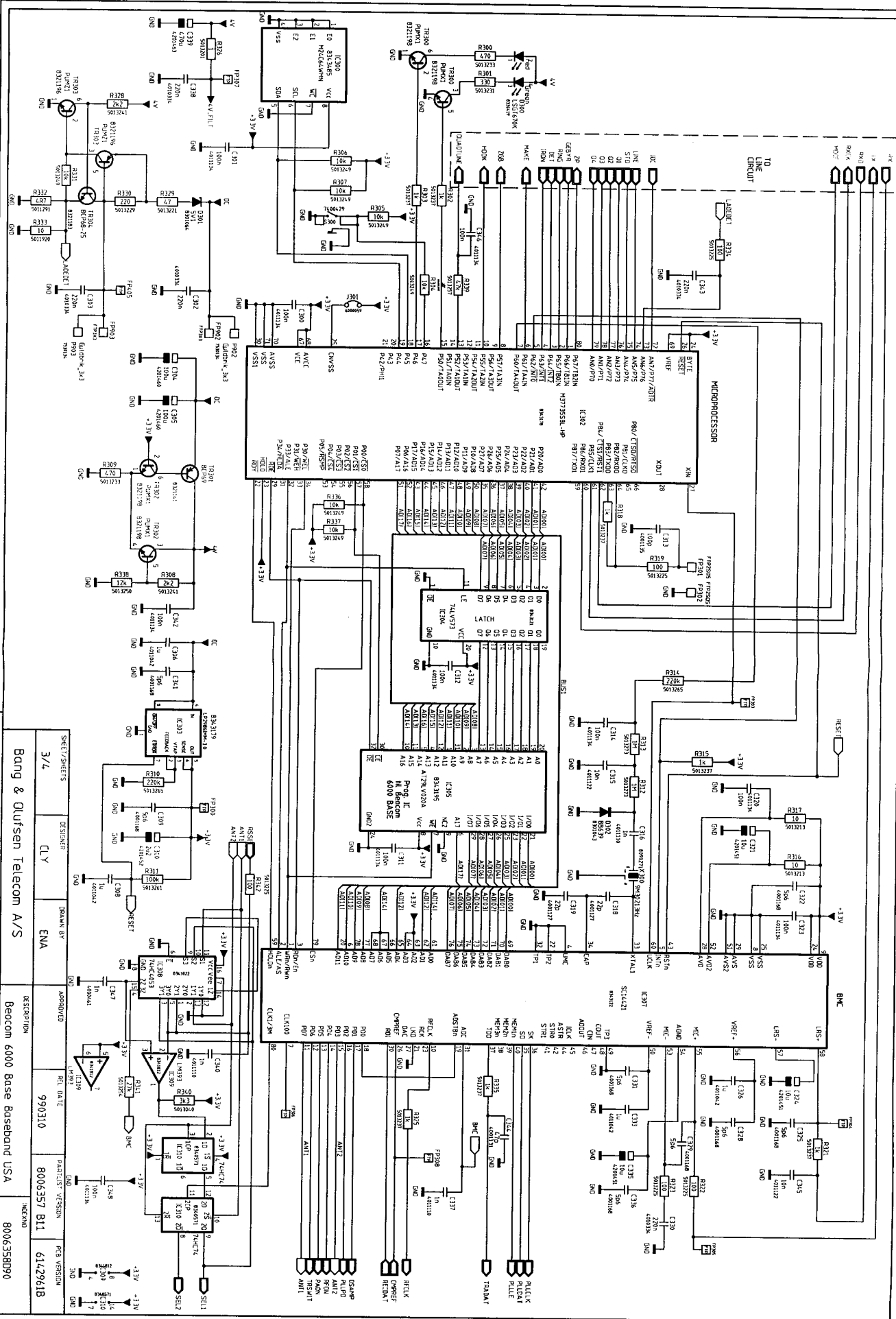
SHEET/SHEETS	DESIGNER	DRAWN BY	APPROVED	REL. DATE	PARTLIST VERSION	PCB VERSION
1/2	CLY	EVA		990310	8006360 B11	61429638
Bang & Olufsen Telecom A/S			DESCRIPTION			
			Beocom 6000 handset RF 24GHz USA			
			MFGNO			
			8006361090			



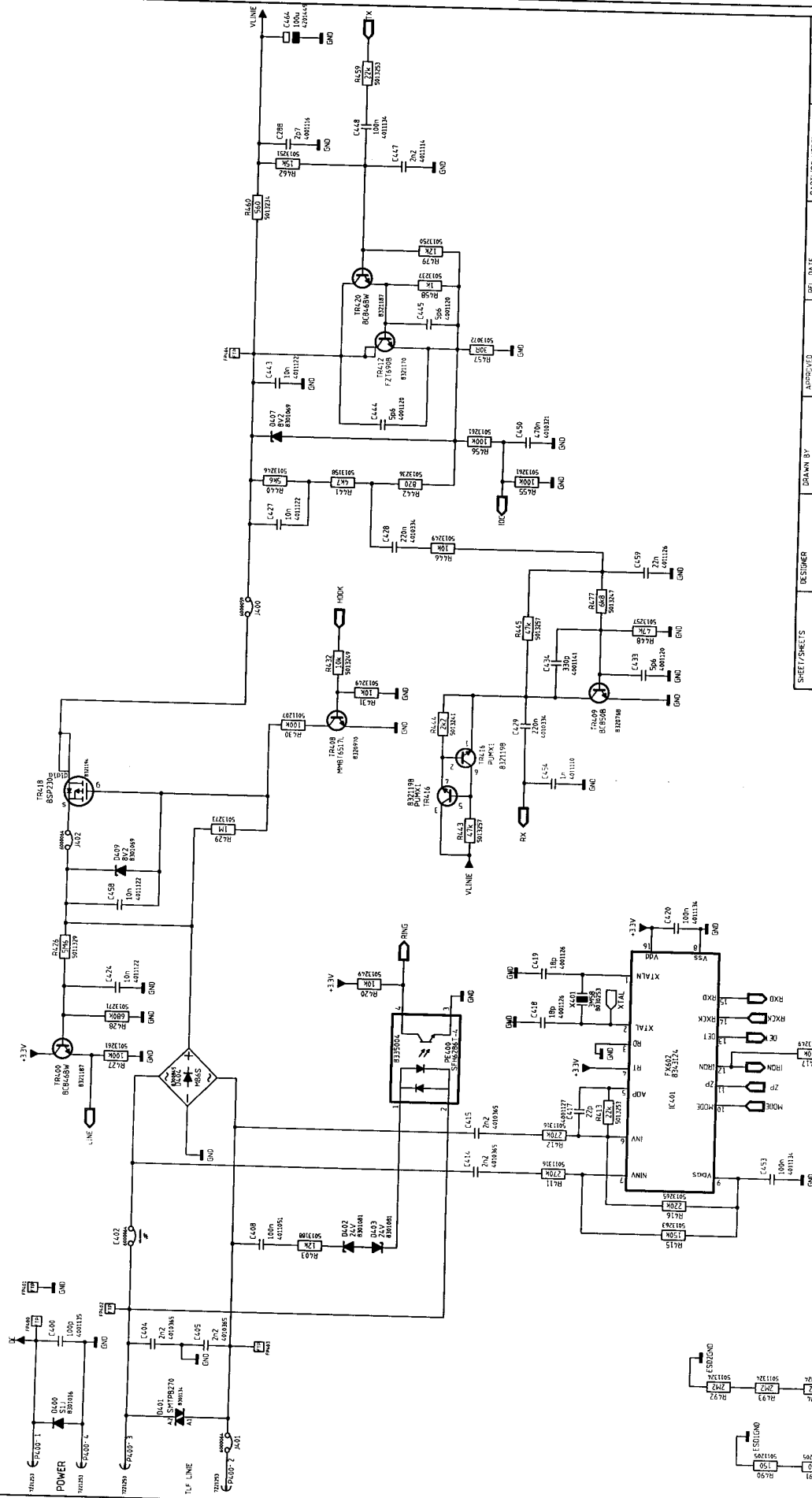
SHEET/SHEETS	DESIGNER	DRAWN BY	APPROVED	REL. DATE	PARTLIST VERSION	FIG. VERSION
1/4	CLY	ENA		990310	8006357 B11	6142361B
Bang & Olufsen Telecom A/S			DESCRIPTION	Beocom 6000 BASE USA		
			MARKING	8006358090		



SHEET/SHEETS	2/4	DESIGNER	CLY	DESIGNED BY	EVA	APPROVED	REL. DATE	990310	PART/LIST VERSION	8006357 B11	REV. VERSION	6142961B
Bang & Olufsen Telecom A/S			Beacom 6000 Base RF USA									



SHEET/SHEETS 3/4
 DESIGNER CLY
 DRAWN BY ENA
 APPROVED 990310
 REL. DATE 8006357 B11
 PART LIST VERSION 6142961B
 DESCRIPTION Beocom 6000 Base Baseband USA
 INCKN01 8006355090



SHEET/SHEETS	DESIGNER	DRAWN BY	APPROVED	REL. DATE	PARTLIST VERSION	P/B VERSION
4/4	CLY	ENA		990310	8006357 B11	6142961B
DESCRIPTION						INCHES
Bang & Olufsen Telecom A/S						8006358090
Beocom 6000 Base Inter. USA						