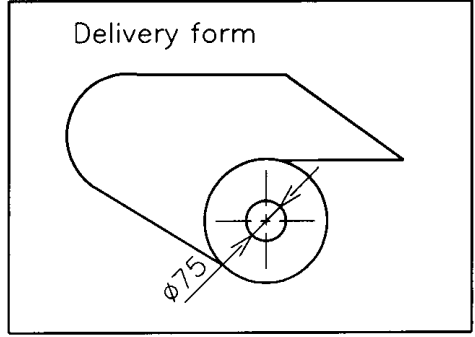
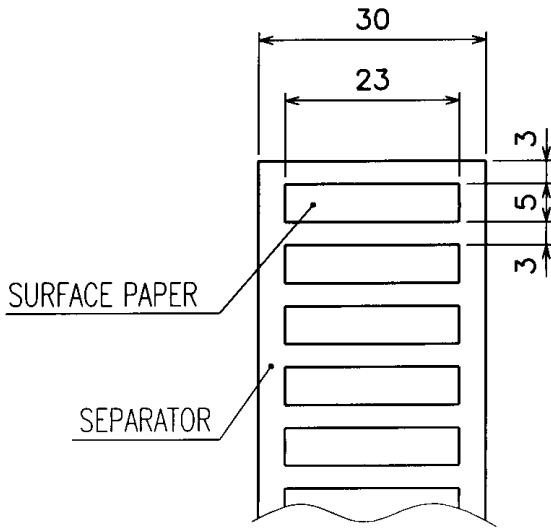


1 2 3 4

PART NO. 51133904

A  
B  
C  
D  
E



NOTE :

- Material : 55 PC 7GK by LINTEC , or the equivalent .  
 (1) Surface paper : Special Art paper .  
 (2) Adhesive : Emulsion type adhesive ( Acrylic type ) .  
 (3) Separator : Glassine paper ( Silicon process of single side ) .
- Delivery condition  
 (1) This part is serial paper .  
 (2) The 5,000 labels are contained in one roll .
- The thermal carbon film  
 This part is transcribed by THERMAL CARBON FILM 513 349 004 .
- Need engineering samples for approval .

AC

					ANGLE R.AGL ± 1' ± 2' - OTH. ± 1.5' ± 3'					
					0.5	6	±0.05	±0.1	±0.2	
					6	30	±0.1	±0.2	±0.5	
					30	120	±0.15	±0.3	±0.8	
					120	315	±0.2	±0.5	±1.2	
					315	1000	±0.3	±0.8	±2	
					1000	2000	±0.5	±1.2	±3	
					>	≤	I	II	III	
					D.RANK TOLERANCES			STD. —		
MATERIAL		DIMENSION		FINISH		UNSPECIFIED TOLERANCES		SAMPLE NEED		
Refer to the notes		—		—		—		—		
APPD.	CHKD.	DWN.	DSGND.	SCALE 1:1	PART NAME THERMAL LABEL (5X23)			SH. 1/1		
				UNITS - mm	株式会社デンソー DENON, Ltd.			PART NO. 51133904007		