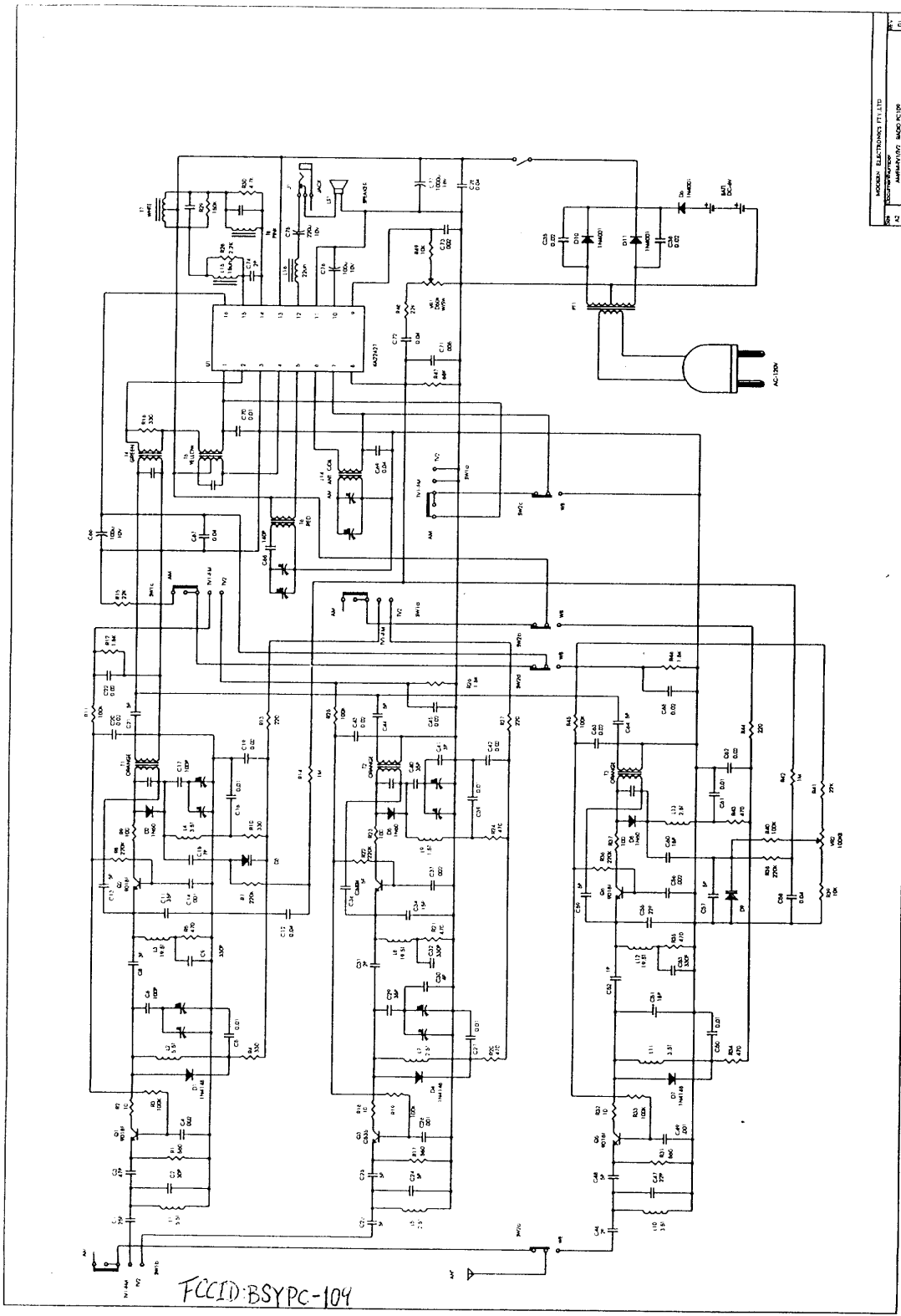


5.2 Receiver Schematic

Figure 5.2 Superheterodyne Receiver Schematic



FCCID:BSYPC-104

1	MOORE ELECTRONICS LTD
2	INDUSTRIAL
3	MANUFACTURING
4	INDUSTRIAL
5	INDUSTRIAL
6	INDUSTRIAL
7	INDUSTRIAL
8	INDUSTRIAL
9	INDUSTRIAL
10	INDUSTRIAL
11	INDUSTRIAL
12	INDUSTRIAL
13	INDUSTRIAL
14	INDUSTRIAL
15	INDUSTRIAL
16	INDUSTRIAL
17	INDUSTRIAL
18	INDUSTRIAL
19	INDUSTRIAL
20	INDUSTRIAL