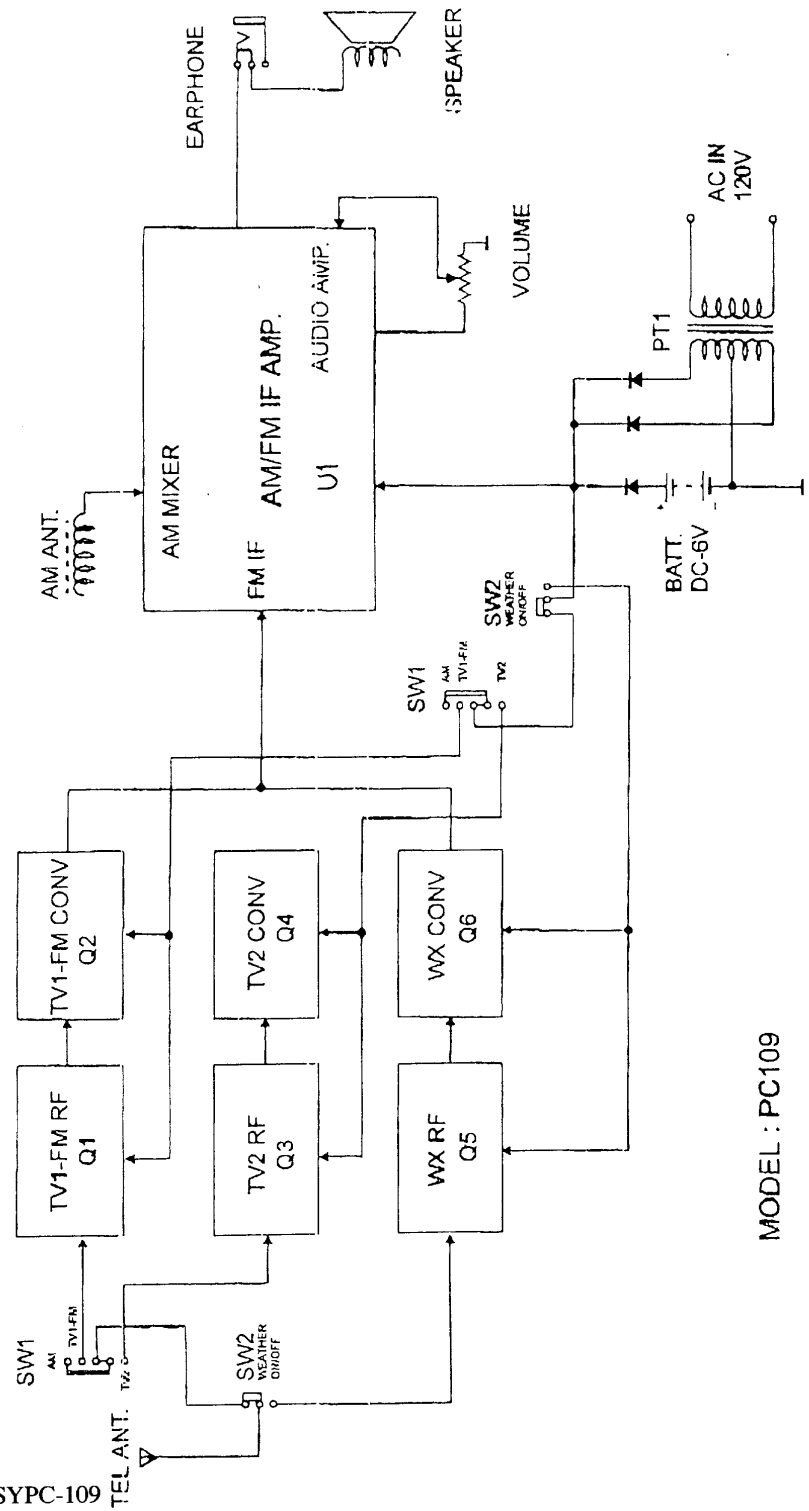


5.1 Receiver Block Diagram

Figure 5.1 Superheterodyne Receiver Block Diagram

1/2 3

BLOCK DIAGRAM



MODEL : PC109

FCC ID: BSYPC-109