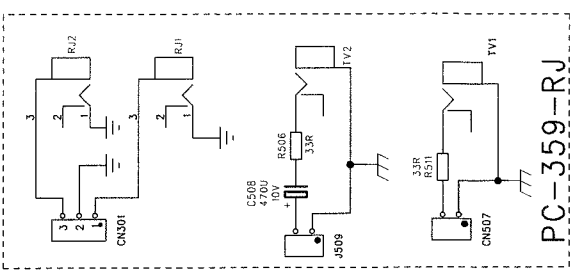
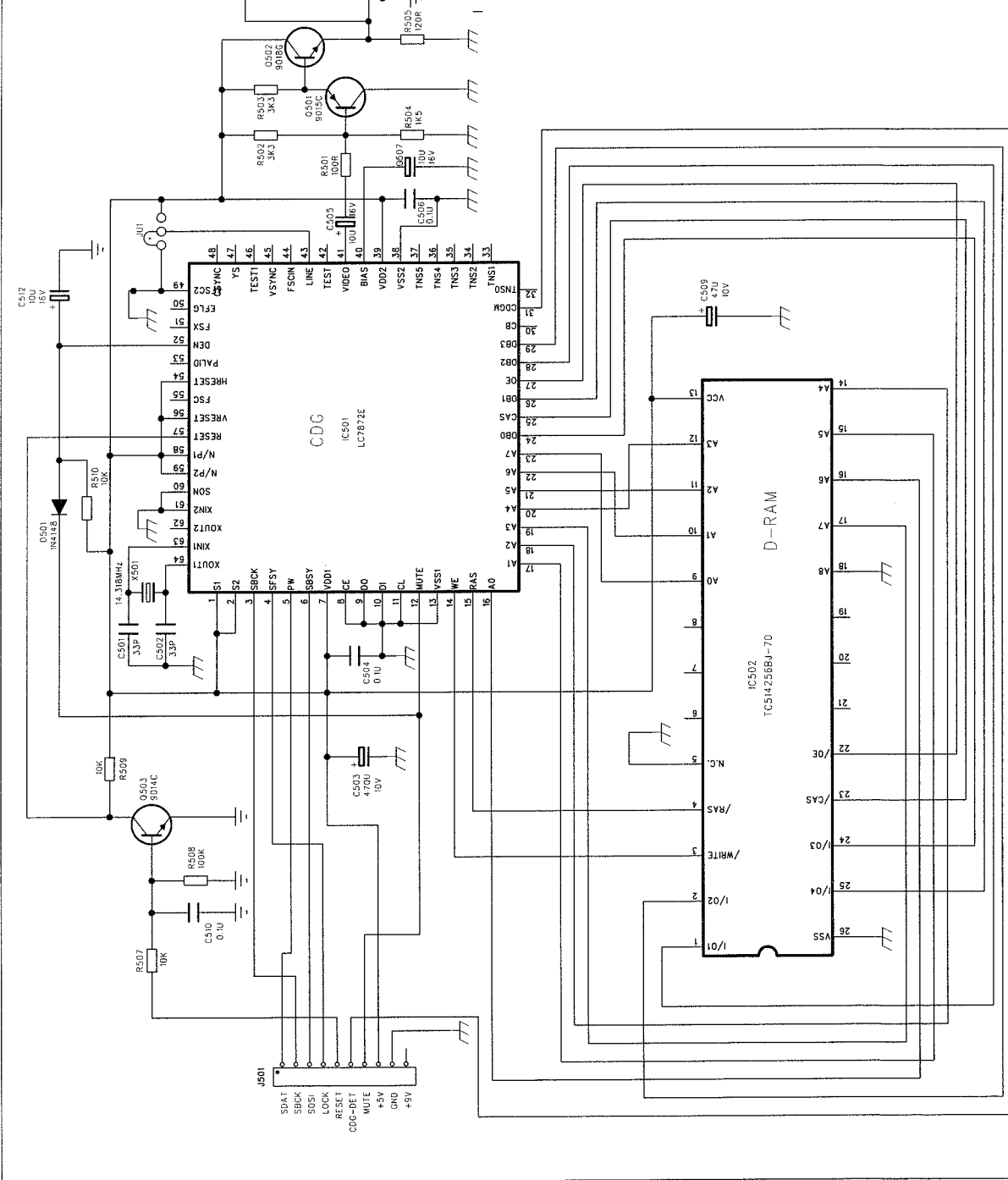
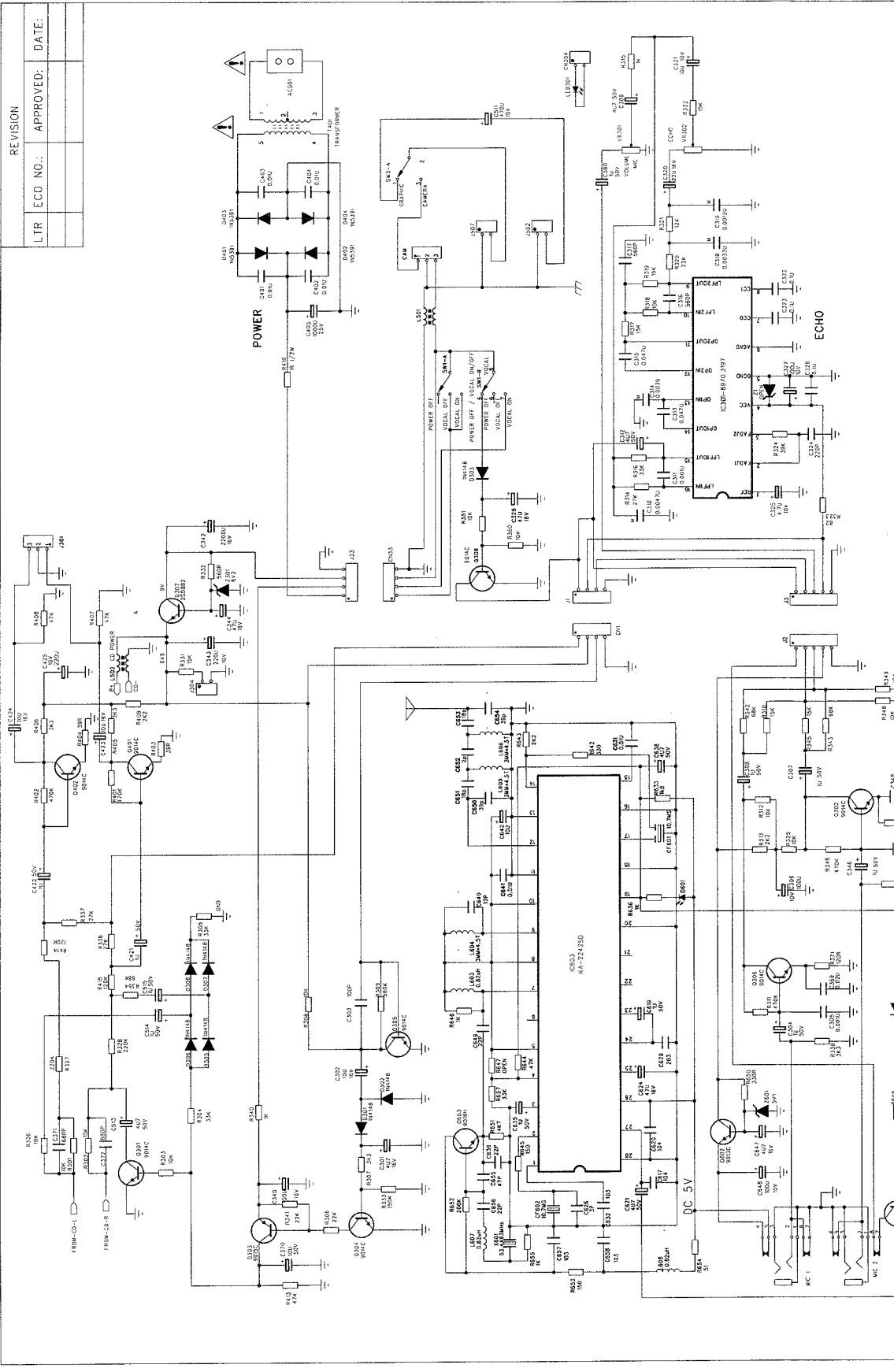


REVISION RECORD :	
ECCO NO.:	APPROVED:
	DATE:



COMPANY:	GMT INDUSTRIAL LTD.
DRAWN BY:	W.Y.F
DATE:	3/20/87
MODEL NO.:	KS-359

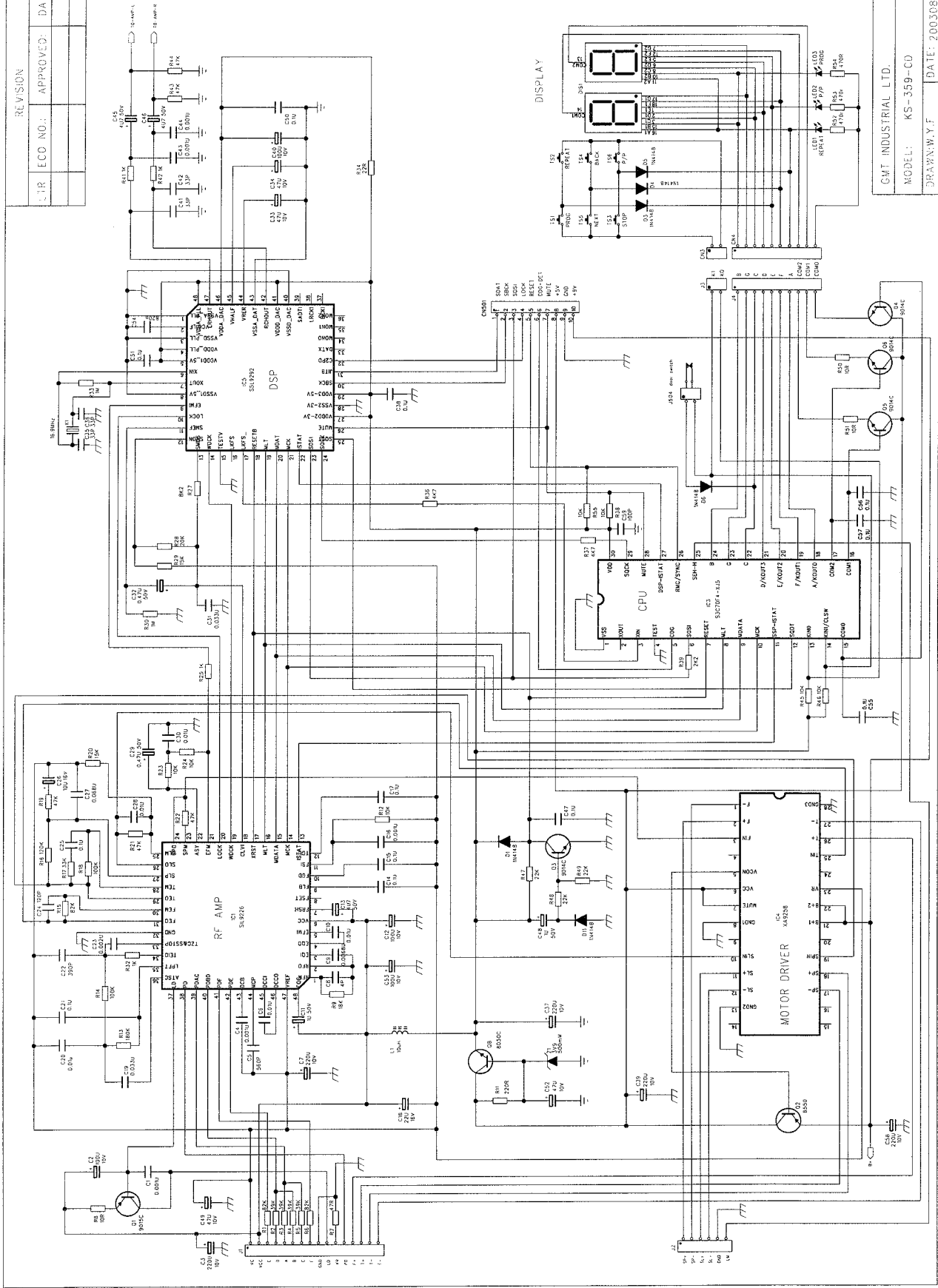
REVISION	
LTR	ECC NO.:
APPROVED:	DATE:



VES ELECTRONICS (ASIA) CO., LTD.
MODEL: OC-359-Amp
DRAWN: N.Y.T
DATE: 2025/06/06

REVISION

ECO NO. APPROVED DATE



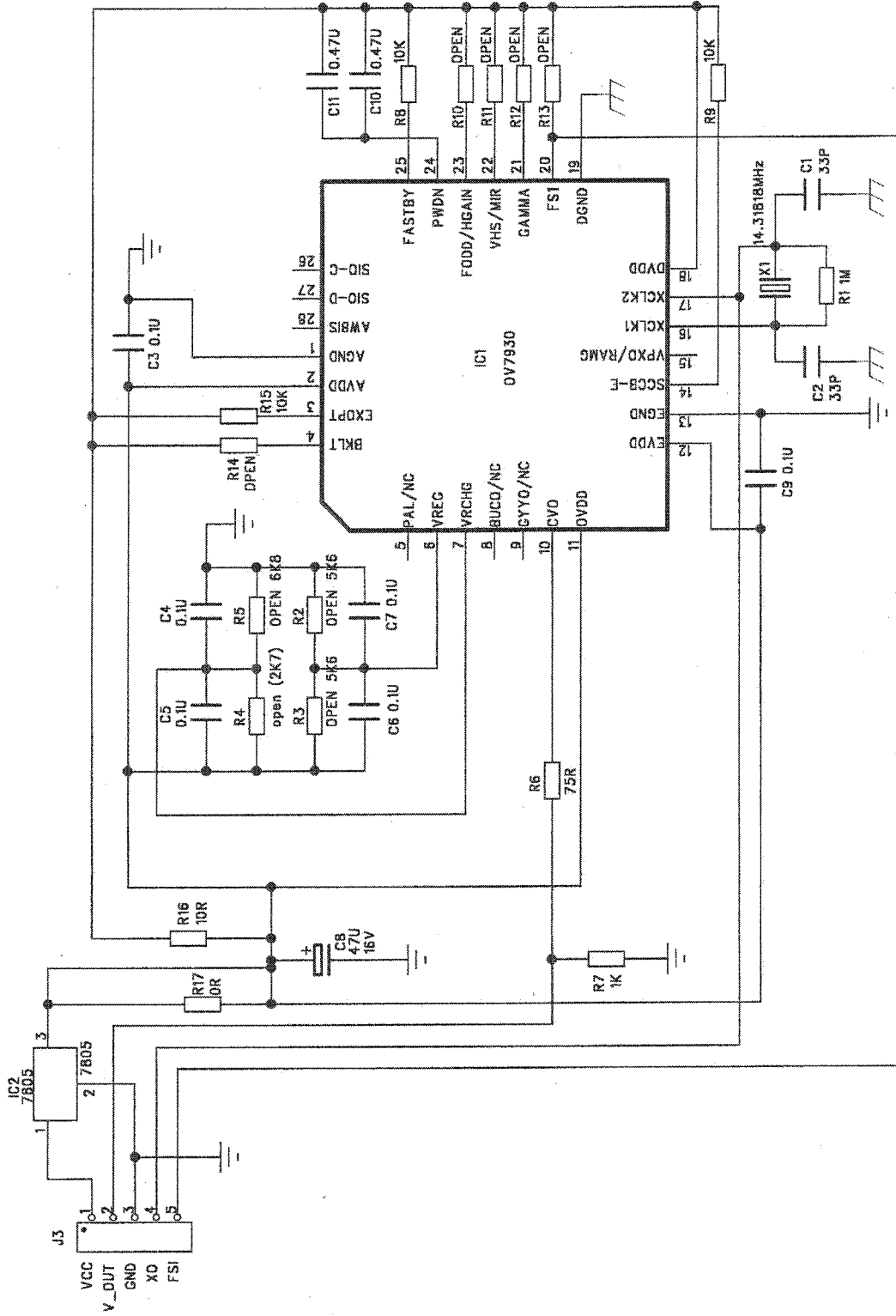
CMT INDUSTRIAL LTD.

MODEL: KS-359-CD

DRAWN: W.Y.F. DATE: 20030807

Camera Circuit diagram of K339

REV	DATE



R8	NDR	FAST	OPEN
R10	HGAIN	NDR	FAST
R11	MIR	NDR	NDR
R14	LIGHT	NDR	DIM
R15	AUTOBRT	NDR	DIM