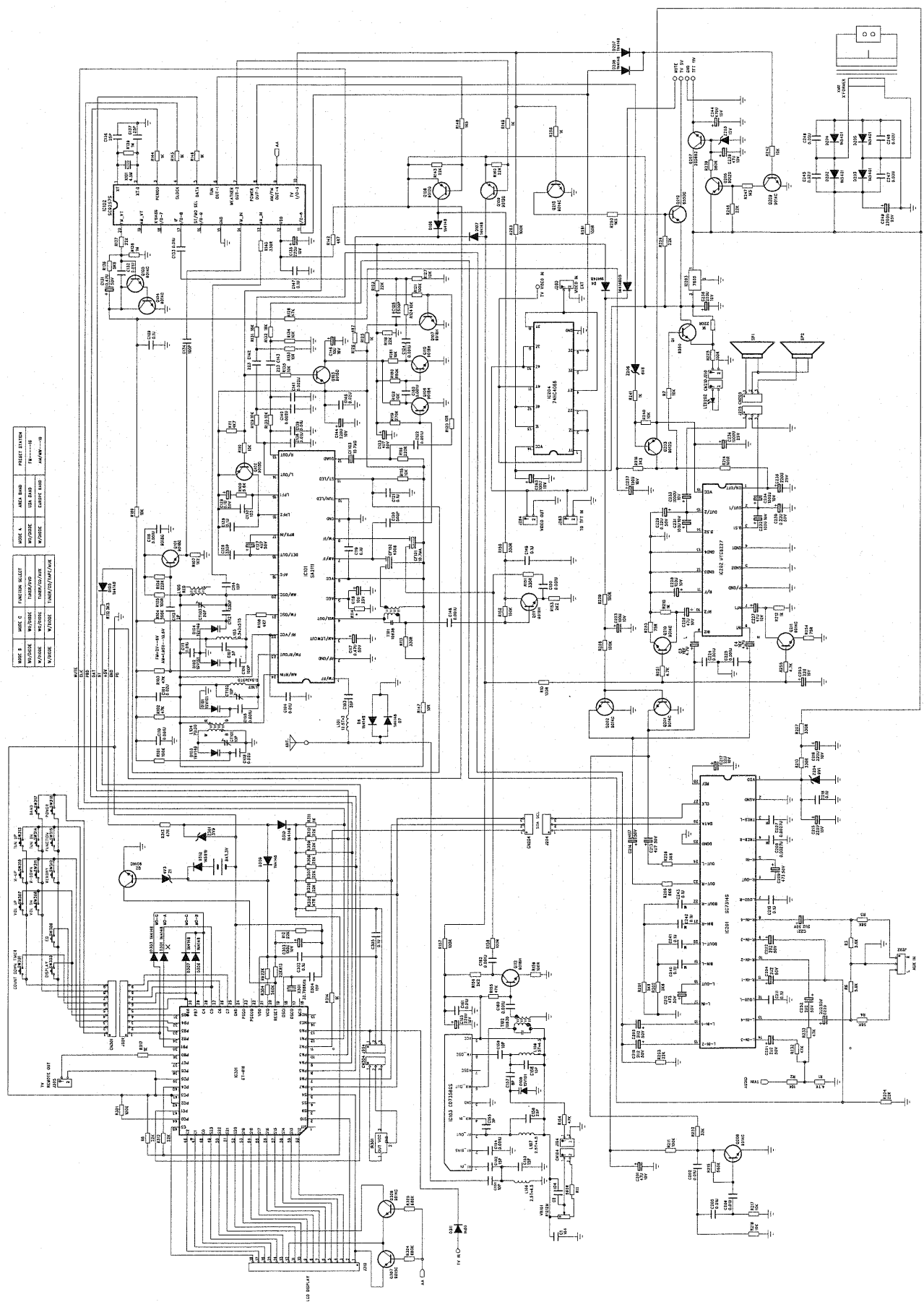
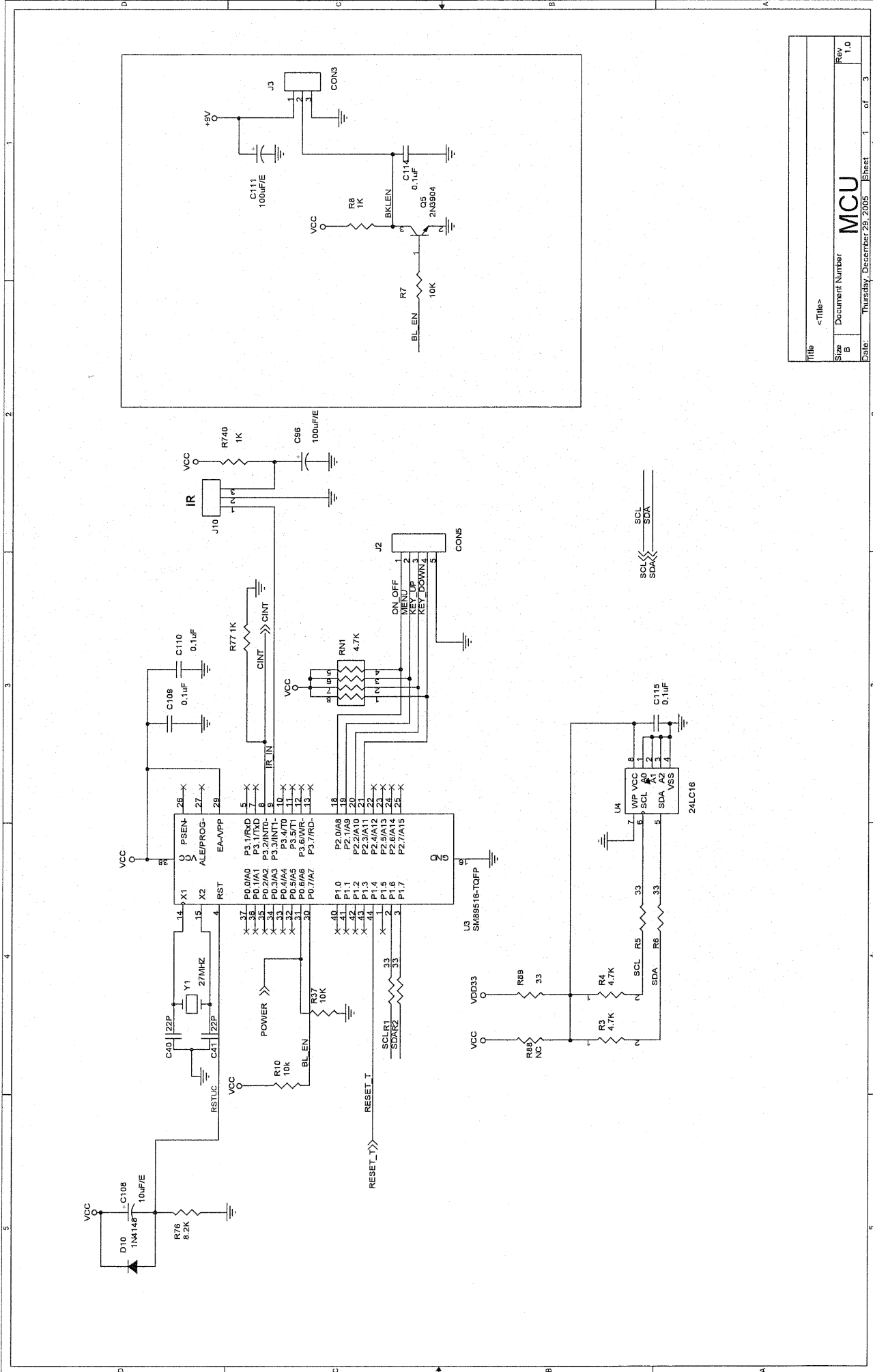


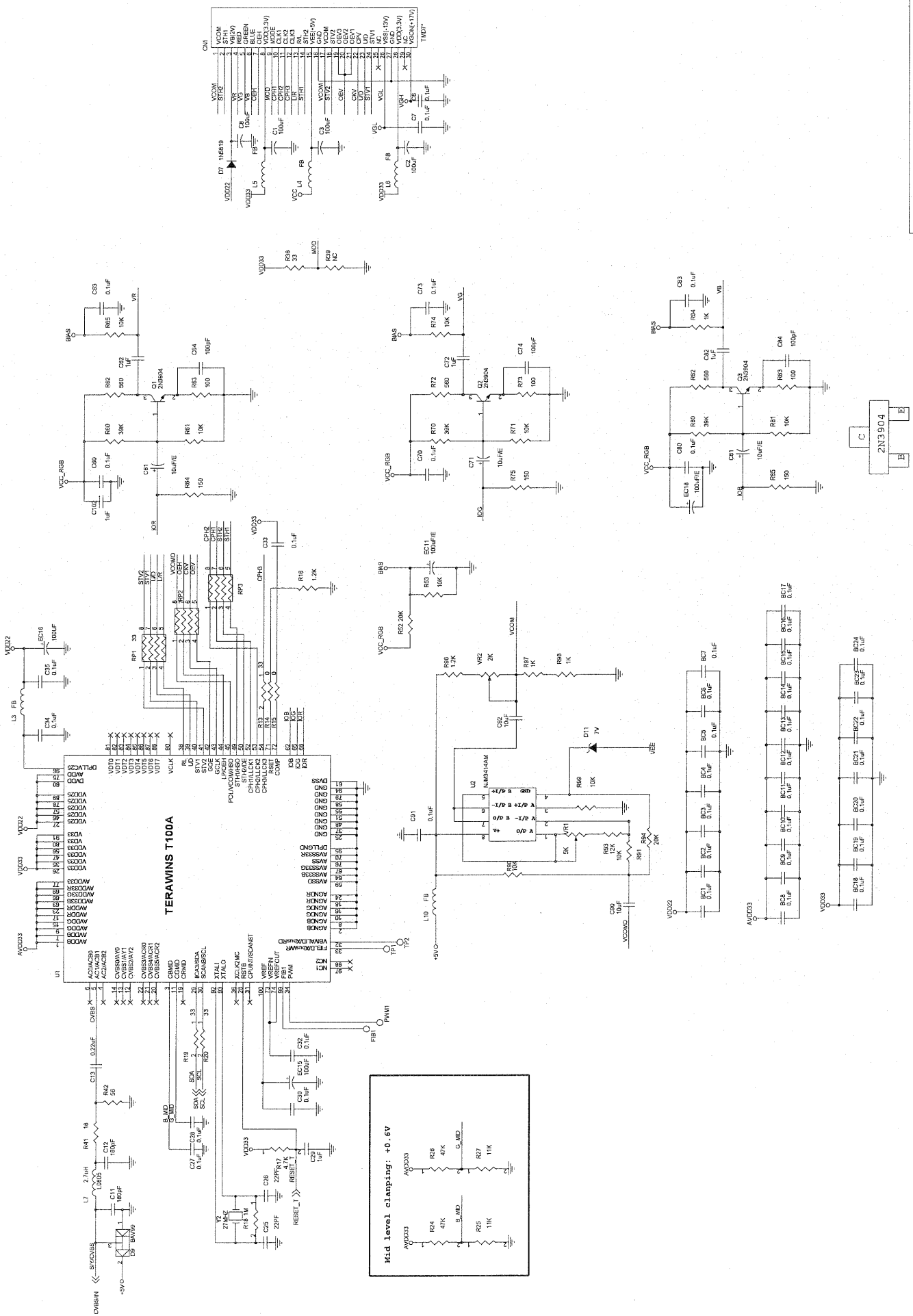
MODE B		MODE C		FUNCTION SELECT		PRESET POSITION	
W/T/OSC	W/T/OSC	W/T/OSC	W/T/OSC	INSTR/FAIR	INSTR/FAIR	CHART/BAF	BAF/---
W/T/OSC	W/T/OSC	W/T/OSC	W/T/OSC	INSTR/FAIR	INSTR/FAIR	CHART/BAF	BAF/---
W/T/OSC	W/T/OSC	W/T/OSC	W/T/OSC	INSTR/FAIR	INSTR/FAIR	CHART/BAF	BAF/---





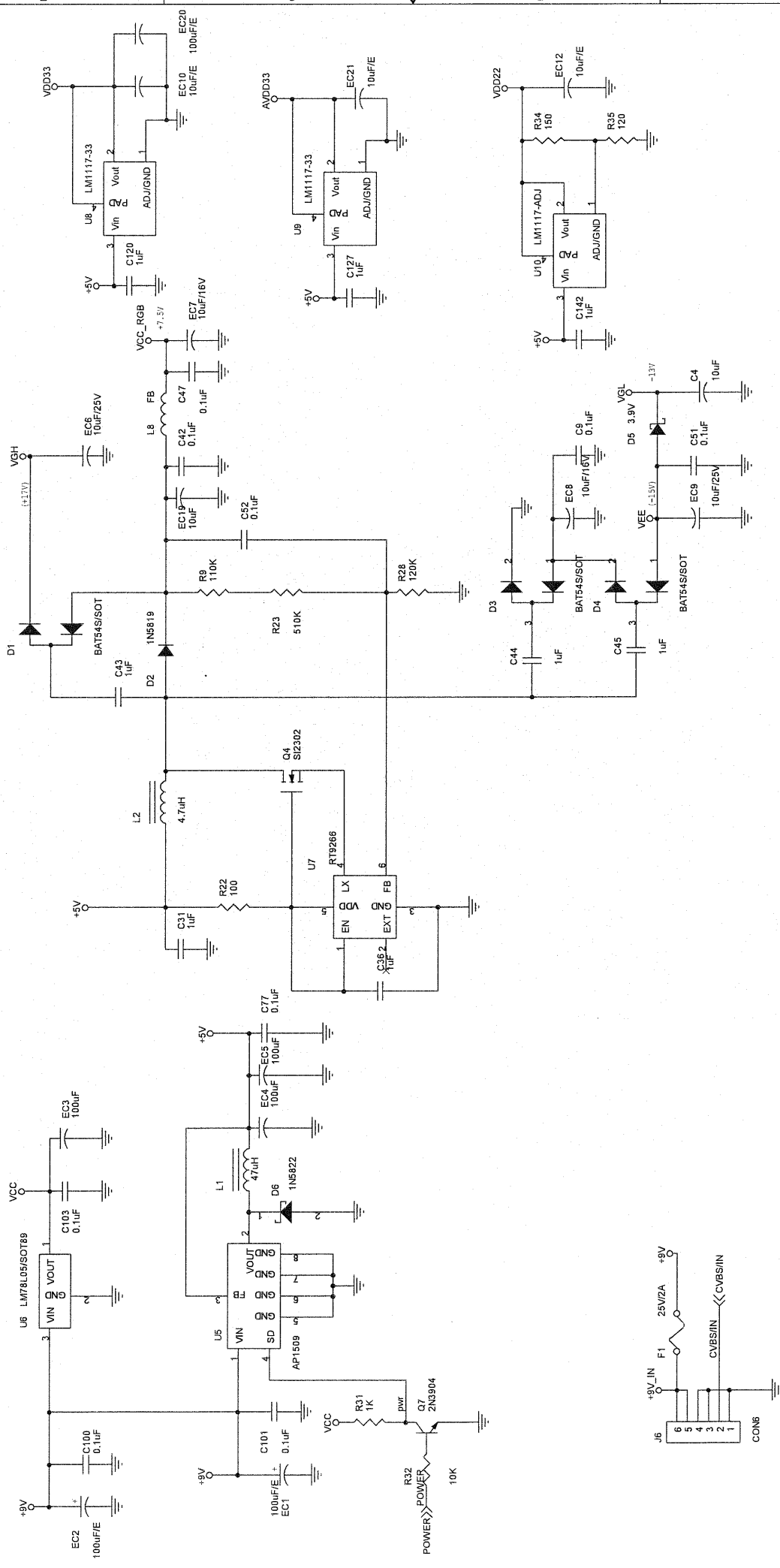
Title	<Title>
Size	B
Document Number	MCU
Rev	1.0
Date:	Thursday, December 25, 2005
Sheet	1 of 3

TERAWINS T100A



Mid level clamping: +0.6V

2N3904



Title	<Title>
Size	B
Document Number	POWER PART
Date	Thursday, December 29, 2005
Sheet	3 of 3
Rev	1.0

1 2 3 4 5

A B C D