

To: ITS

Page: 1 of 3

ATTN: MR ANTHONY CHAN

DATE: 2/3/99

### Transmission/Receiving Operation

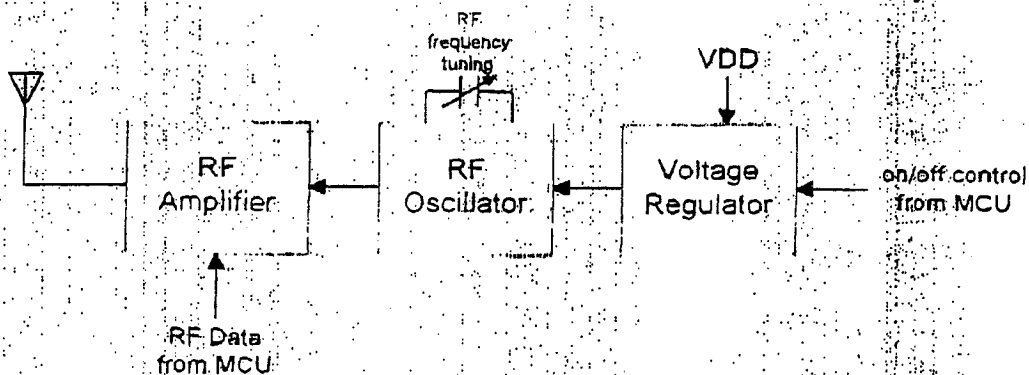
After a message is inputted to the unit, the message will be sent periodically. A complete message includes followings:

1. Recipient's name
2. Sender's name
3. Message content

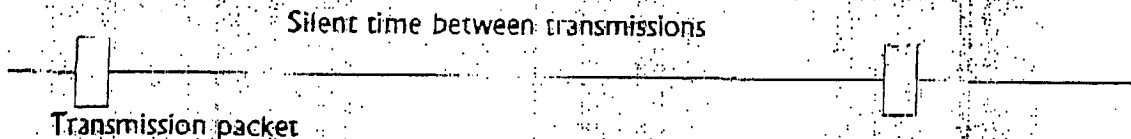
If another unit is located within transmission range, the unit will receive the message. Then the receiving unit will check the recipient name, if the recipient name equals the name of a receiving unit, this message will be picked up. Sender's name and Message content will be saved as a new message. A receiving unit will reject a duplicated message by checking its memories.

### Technical Operation

#### Transmitter Block Diagram



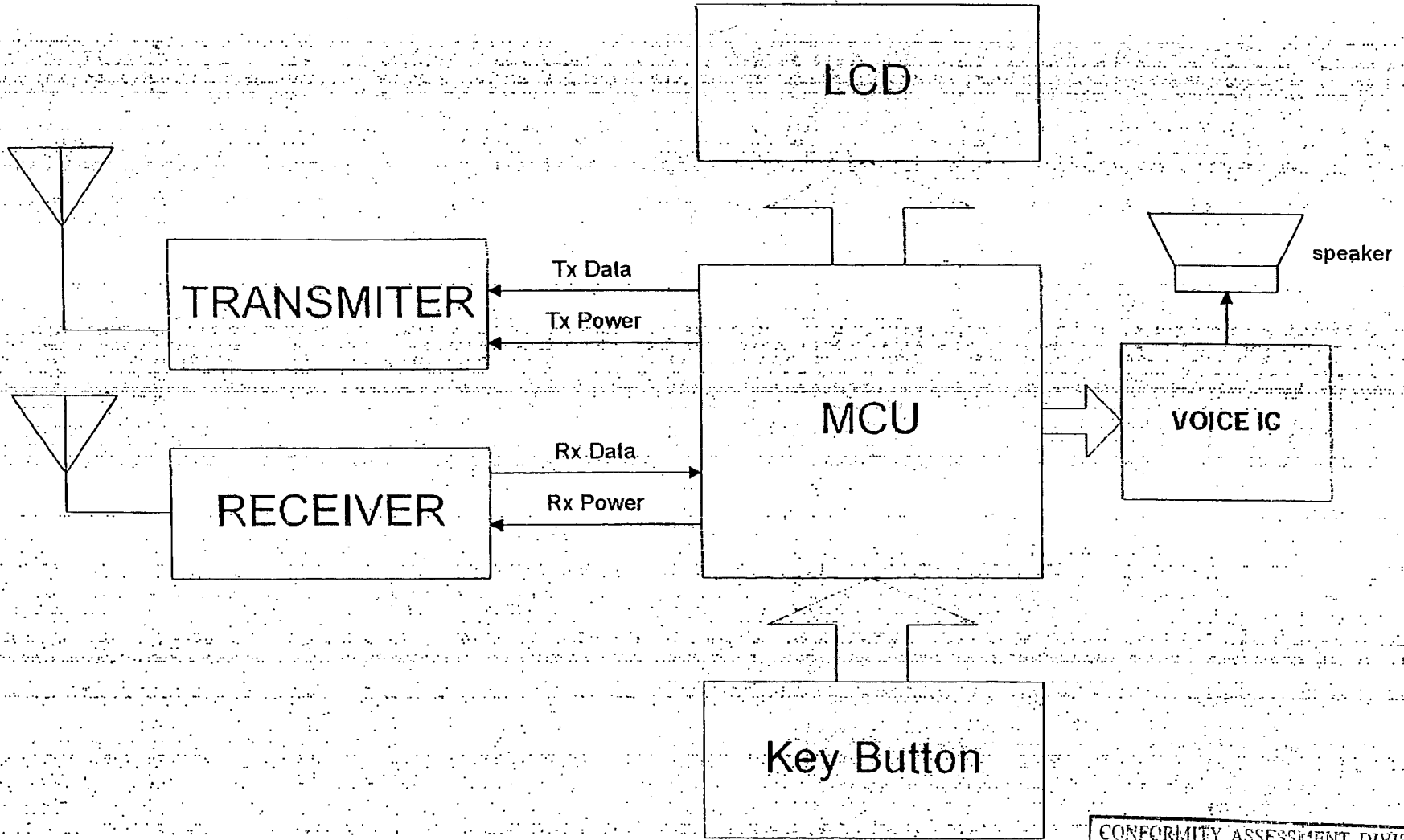
A message is sent periodically. Length of transmission packet depends on message length. Silent time between transmissions depends on the transmission length that has already transmitted.



CONFIRMATION  
 Issuing Date: 2/3/99  
 Anthony

# Block Diagram

1/3



CONFORMITY ASSESSMENT DIVISION	
Issuing Date:	11/27/99
Checked By:	rita