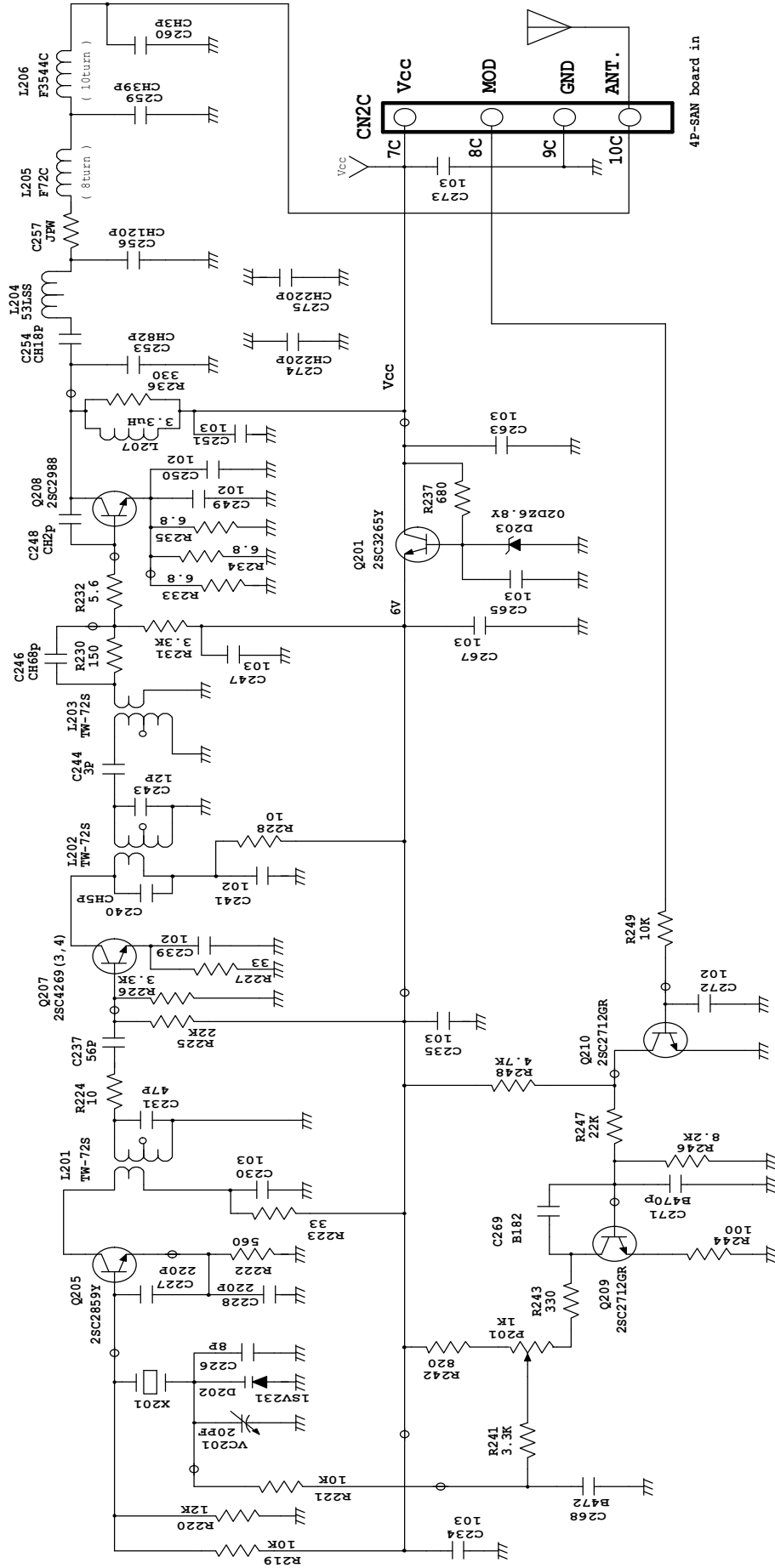


Figure 5.2.1.1. Transmitter Schematic Diagram

FCC ID# BRWR31



Transmitter Schematic Diagram

Figure 5.2.2.

FCC ID# BRWXR3i