

Figure 5.2.1. Transmitter Schematic Diagram

FCC ID# BRWXR2i

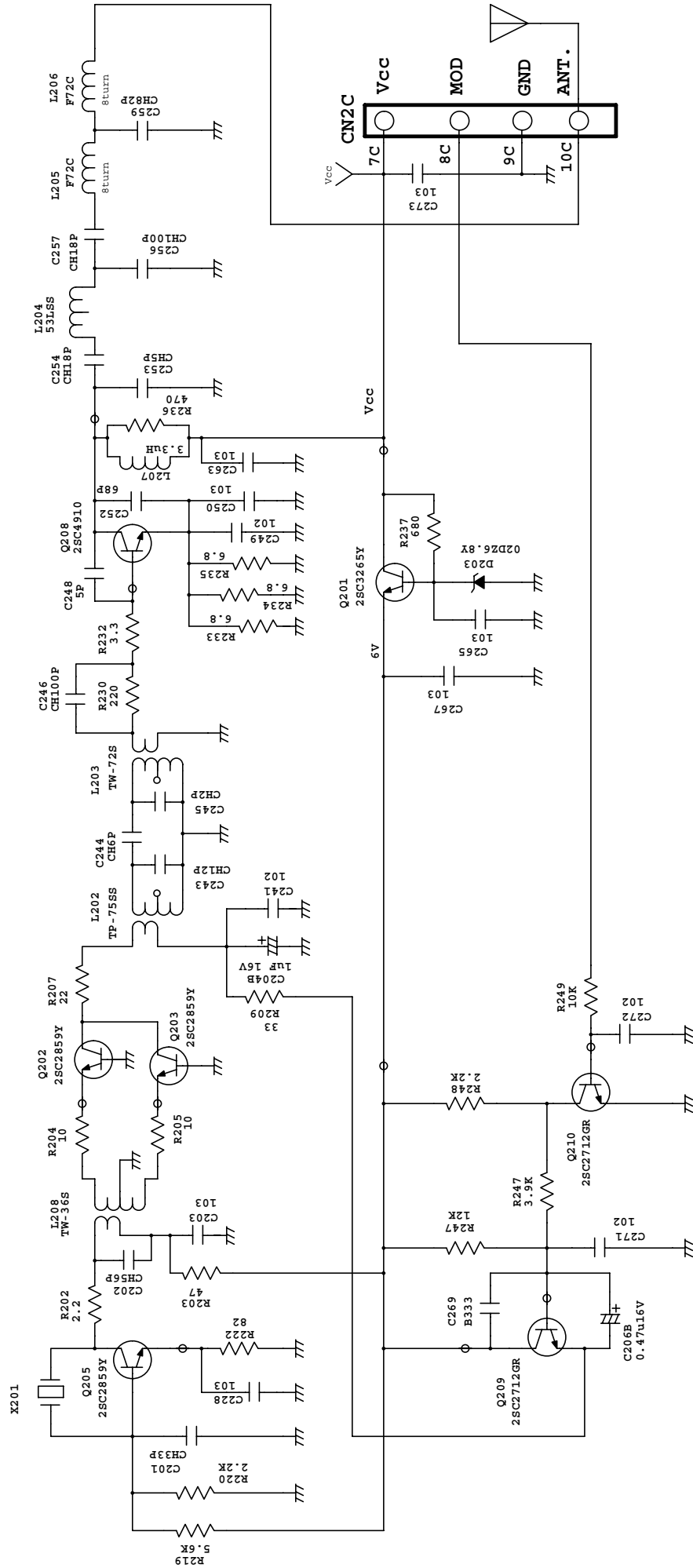


Figure 5.2.2. Transmitter Schematic Diagram

FCC ID# BRWXR2i