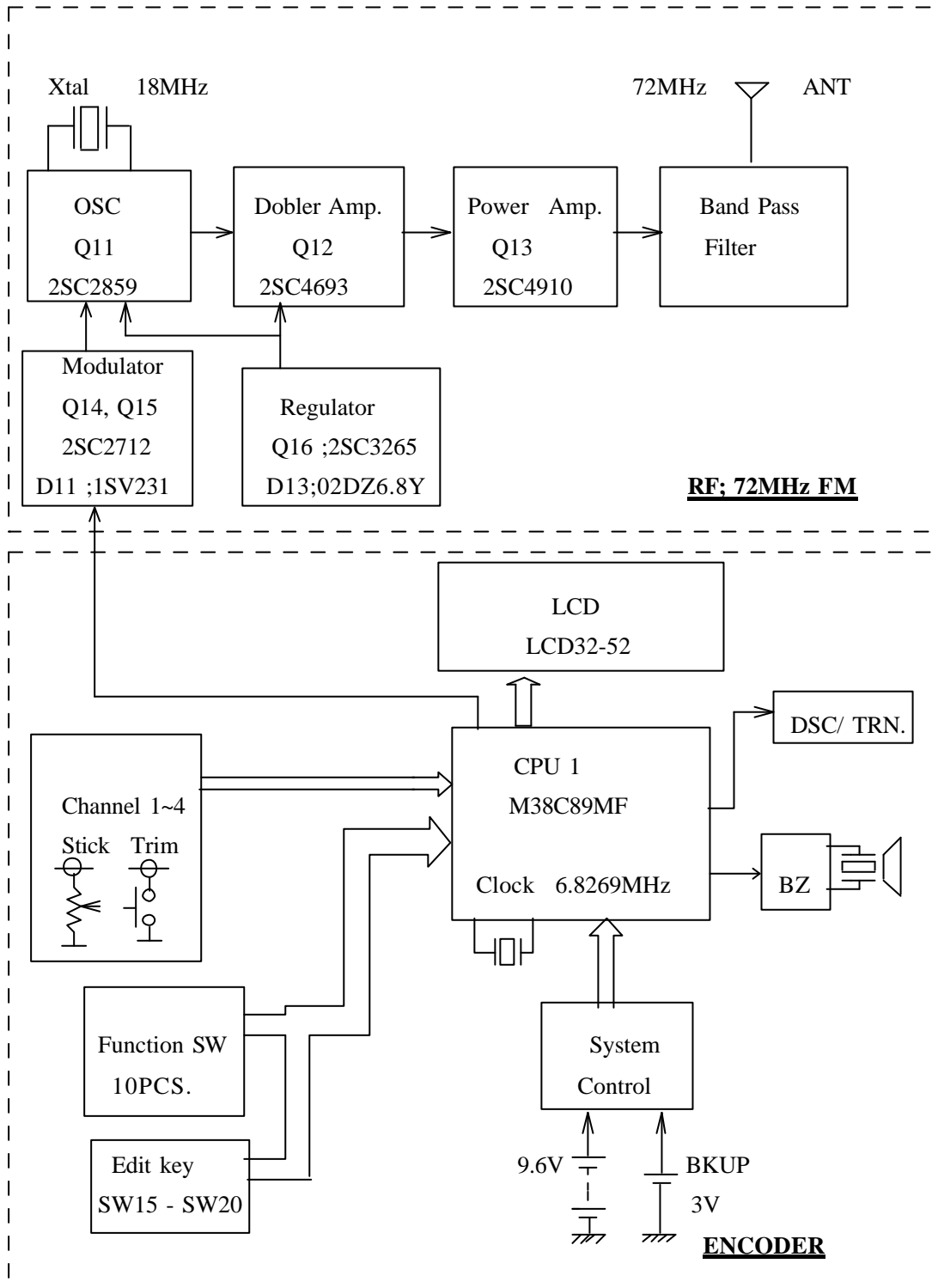


**FM TRANSMITTER BLOCK DIAGRAM XP6102 72MHz**



FCC ID# BRWXP6102 Figure 5.1 Transmitter Block Diagram