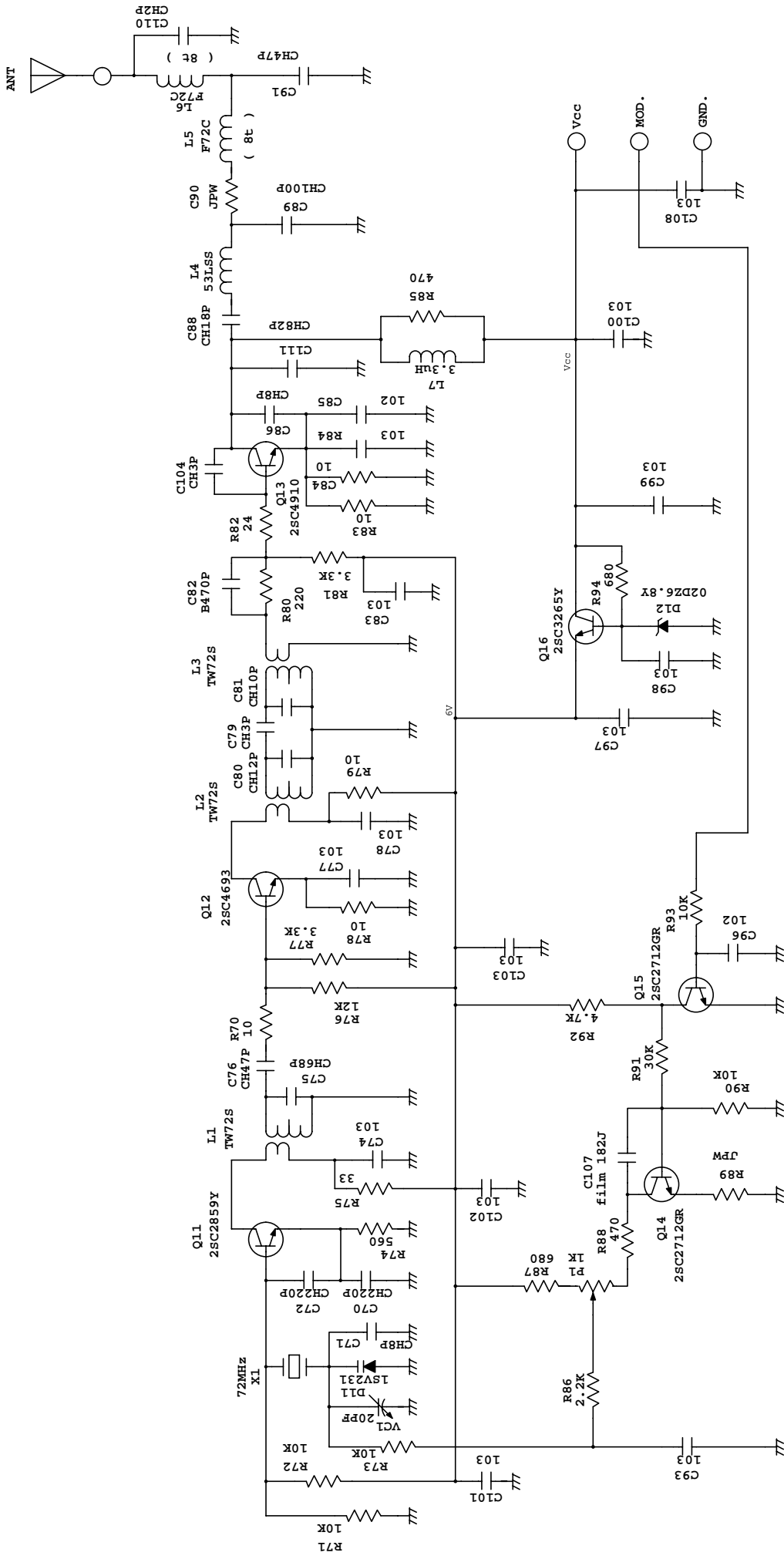


Mode	Hard stick mode (P20)	Mode 1=R16	Mode 2=R15
Battery alarm (D4)	9.0V	=R46	7.7V =R45
Soft Stick Mode (D5)	INH.	=R48	ACT. =R47
	GND		5V

* Mode selection

FCC ID# BRWXF631 Figure 5.2.1.1. Transmitter Schematic Diagram



Transmitter Schematic Diagram

Figure 5.2.2.

FCC ID# BRWXF631