

# SYNC™ 251

## UAV/FPV



**READ THESE INSTRUCTIONS  
BEFORE FLYING!**



## QUICK START FLYING GUIDE

**1**



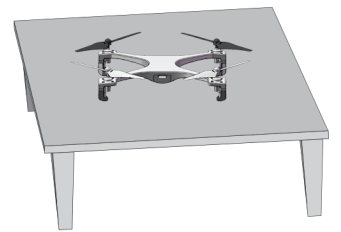
**Turn on the controller.**

**2**



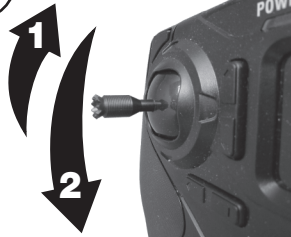
**Connect charged battery.  
Close the door.**

**3**



**Set on a flat surface.**

**4**



**Move the left stick up  
then down to arm the motors.**

**5**



**Press and release to start  
motors. Press again to Auto  
Takeoff or Auto Land.**

**6**



**FLY!**



**WARNING:** Product includes a lithium polymer (LiPo) battery. Improper handling may result in **FIRE!** You are responsible for following all safety precautions as outlined in this instruction manual.

## NOTICE

All instructions, warranties and other collateral documents are subject to change at the sole discretion of Horizon Hobby, LLC. For up-to-date product literature, visit [www.horizonhobby.com](http://www.horizonhobby.com) and click on the support tab for this product.


## Meaning of Special Language

The following terms are used throughout the product literature to indicate various levels of potential harm when operating this product:

**WARNING:** Procedures, which if not properly followed, create the probability of property damage, collateral damage, and serious injury OR create a high probability of superficial injury.

**CAUTION:** Procedures, which if not properly followed, create the probability of physical property damage AND a possibility of serious injury.

**NOTICE:** Procedures, which if not properly followed, create a possibility of physical property damage AND a little or no possibility of injury.

 **WARNING:** Read the ENTIRE instruction manual to become familiar with the features of the product before operating. Failure to operate the product correctly can result in damage to the product, personal property and cause serious injury.


This is a sophisticated hobby product. It must be operated with caution and common sense and requires some basic mechanical ability. Failure to operate this Product in a safe and responsible manner could result in injury or damage to the product or other property. This product is not intended for use by children without direct adult supervision. Do not use with incompatible components or alter this product in any way outside of the instructions provided by Horizon Hobby, LLC. This manual contains instructions for safety, operation and maintenance. It is essential to read and follow all the instructions and warnings in the manual, prior to assembly, setup or use, in order to operate correctly and avoid damage or serious injury.

**14+** **AGE RECOMMENDATION: Not for children under 14 years. This is not a toy.**

## SAFETY PRECAUTIONS

*Follow these safety precautions when operating this or any model drone.*

- Do not touch the spinning blades or fly over people or animals.
- Keep your face and body as well as all spectators away from the rotors whenever the battery is connected.
- Stay clear of buildings, trees and power lines. AVOID flying in or near crowded areas. DO NOT fly close to people, children or pets.
- Maintain a safe pilot-to-drone distance while flying.
- Your Sync 251 Drone should not be considered a toy, but rather a small, working model. If not operated correctly, the model could possibly cause injury to you or spectators and damage to property.
- Do not alter or modify the model, as doing so may result in an unsafe or unflyable model.
- You must check the operation of the model before every flight to ensure that the model has remained structurally sound.


 **CAUTION:** Changes or modifications to this product not expressly approved by the party responsible for compliance may void the user's authority to operate the equipment.

## LOCATION PRECAUTIONS

The Sync™ 251 drone uses optical flow technology to hold it in place. This works by taking repeated pictures of the ground and comparing the pixels from one picture to the next very fast. If it senses a change, the sensor will command the drone to adjust its position. While this technology is incredible, there are some things to watch for that can confuse the sensor:

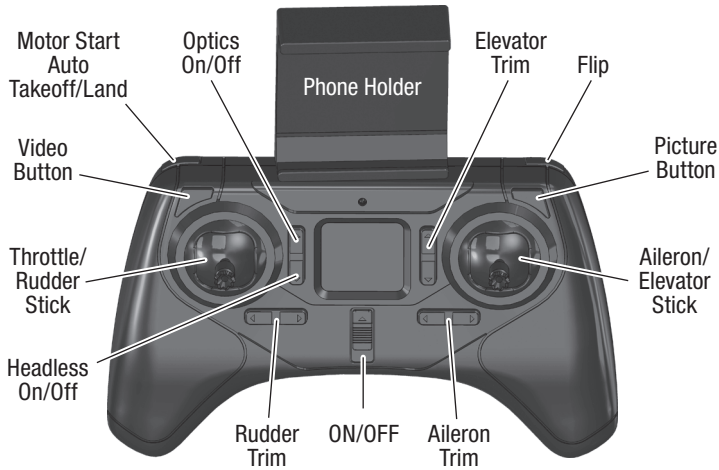
- Floors that are shiny and reflective may cause drifting as it tries to follow light reflections.
- Surfaces that are very consistent, like black asphalt, snow, or uniform tile floors, can also confuse the sensor and cause drifting.
- Flying over water or anything that can move will cause the drone to drift.
- When it is windy outside and the grass or flowers are moving, the drone may drift. If you find it is drifting where you are at, simply move to an area where the sensor can see stationary objects.

## CHARGING WARNINGS

 **CAUTION:** All instructions and warnings must be followed exactly. Mishandling of Li-Po batteries can result in a fire, personal injury and/or property damage.

- **NEVER LEAVE CHARGING BATTERIES UNATTENDED.**
- **NEVER CHARGE BATTERIES OVERNIGHT.**
- By handling, charging or using the included Li-Po battery, you assume all risks associated with lithium batteries.
- If at any time the battery begins to balloon or swell, discontinue use immediately. If charging or discharging, discontinue and disconnect. Continuing to use, charge or discharge a battery that is ballooning or swelling can result in fire.
- Always store the battery at room temperature in a dry area for best results.
- Always transport or temporarily store the battery in a temperature range of 40–120° F (5–49° C).
- Do not store battery or model in a car or direct sunlight. If stored in a hot car, the battery can be damaged or even catch fire.
- Always charge batteries away from flammable materials.
- Always inspect the battery before charging
- Always disconnect the battery after charging, and let the charger cool between charges.
- Always constantly monitor the temperature of the battery pack while charging.
- **ONLY USE A CHARGER SPECIFICALLY DESIGNED TO CHARGE LI-PO BATTERIES.** Failure to charge the battery with a compatible charger may cause a fire resulting in personal injury and/or property damage.
- Never discharge Li-Po cells to below 3V under load.
- Never cover warning labels with hook and loop strips.
- Never charge batteries outside recommended levels.
- Never charge damaged batteries.
- Never attempt to dismantle or alter the charger.
- Never allow minors to charge battery packs.
- Never charge batteries in extremely hot or cold places (recommended between 40–120° F or (5–49° C) or place in direct sunlight.

## CONTROLLER



Remove the screw on the battery compartment cover. Take the cover off and insert (4) AAA batteries. Replace cover, securing with the screw.

- Do not mix old and new batteries.
- Do not mix alkaline, standard, or rechargeable batteries.

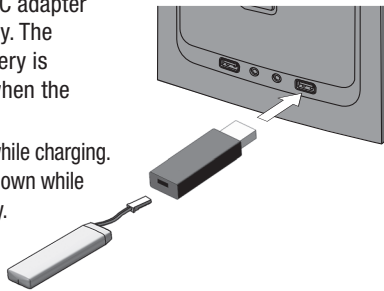
**CAUTION:** Risk of explosion if battery is replaced by an incorrect type. Dispose of used battery according to the instructions.



## CHARGING the FLIGHT BATTERY

Plug the charger into a USB port or AC adapter (not included) and connect the battery. The red LED will be steady while the battery is charging. The LED will flash slowly when the battery is fully charged.

- NEVER leave the battery unattended while charging.
- DO NOT allow the USB port to power down while the charger is connected to the battery.
- ALWAYS unplug the charger from the USB port and the battery when charging is complete.
- The battery connector will only fit in one way.



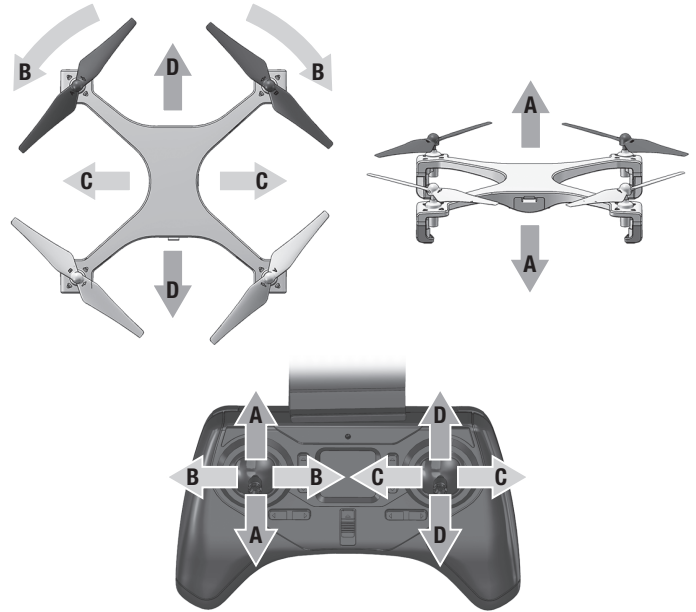
## GET READY TO FLY

1. Turn on the controller.
2. Connect the flight battery and set on a level surface.
3. Move the throttle stick to its highest position and listen for a beep.
4. Move the throttle stick down to its lowest position and listen for a beep. The flashing LEDs on the Sync 251 Drone's arms will become steady.
5. For your first flight, we recommend calibrating the sensors (page 4).

*The motors are now armed and can be started with the motor start button.*



## HOW to FLY

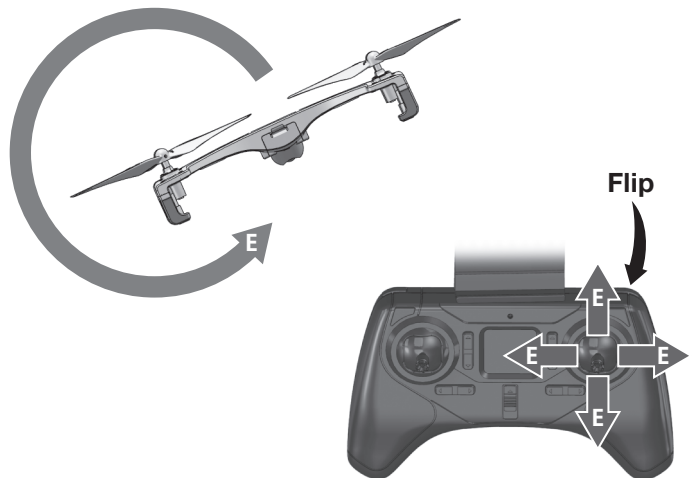
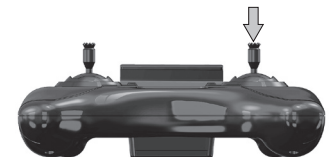


**Basic Flight** After initially connecting the battery, move the left stick up then down to arm the motors. Press the Motors Start button until the motors start to spin. Press again and the drone will auto-take off and hover about 3 feet (1 meter) above the floor. **OPTION:** After the motors are spinning, the throttle stick can also be used to manually take off. Slowly advance the throttle and release it when you reach the desired height.

The control sensitivity should be in the low setting if flying indoors. Small movements of the pitch, roll and yaw control sticks should be used to move. Raise or lower the throttle stick to change the altitude. When the drone is at the desired height, release the throttle stick so the Altitude Hold sensor can maintain and hold height. If you get into trouble and see that the drone is going to crash, press and HOLD the MOTOR START/STOP button to stop the motors as soon as possible.

**Sensitivity Adjustment** Push down on the right stick to change the sensitivity of the controls.

Sensitivity	Beep	Flight Mode LED
Low	1	Blue
High	2	Purple



**Flips** Tap the flip button. Move the right stick in the direction desired and release it when it starts to flip.

**IMPORTANT:** Flips cannot be done when the LEDs indicate the battery voltage is low.



**Low Voltage Alarm** The LEDs on the arms will flash when the battery voltage is getting low. Land the drone as soon as possible and charge the battery. The battery must be charged before it is stored. **ALWAYS disconnect the battery when it's not in use!**

**Headless Mode** When you activate this mode, the drone movements will be relative to the controller no matter which way the drone is pointing. When you push forward on the controller for example, the drone moves away from you even if the camera is pointing to the side or at you. When the Headless Mode is active, the LEDs will flash slowly. For Headless Mode to work:



1. The tail of the drone **MUST** face the pilot when the drone is first plugged in and set down.
2. The pilot must not change position or direction after the controller and drone are linked.

**Optics On/Off** The optics work great for holding the drone in position. However, if you want more freedom, you can turn them off by pushing the top button. The Red LED's will flash fast and the Blue/Purple LED on the transmitter (for Low/High sensitivity) will turn to (faint orange and bright orange).



## SENSOR CALIBRATION

It is normal to require minor corrections while hovering, however if the quad has a strong tendency to drift in one direction, the sensors may need calibration.

1. Power up the controller and the drone.
2. Place the quad on a level surface.
3. Center all the trims.
4. Hold both sticks in the lower right corners. When the LEDs on the arms start to flash rapidly, release the sticks. Do NOT move until the LEDs are steady again.



## APP

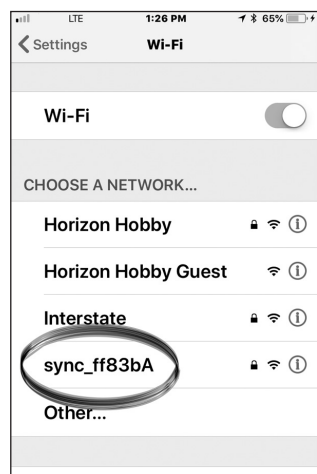
The drone will link to an app on your iOS/Android based mobile device so it can be flown in the FPV mode.

To download the app, open the App Store on your device and enter "Sync FPV" as a search term.



## LINKING to the APP

With the drone turned on, open the Wi-Fi settings on your device and select the "SYNC-....." network. The password is "12345678".



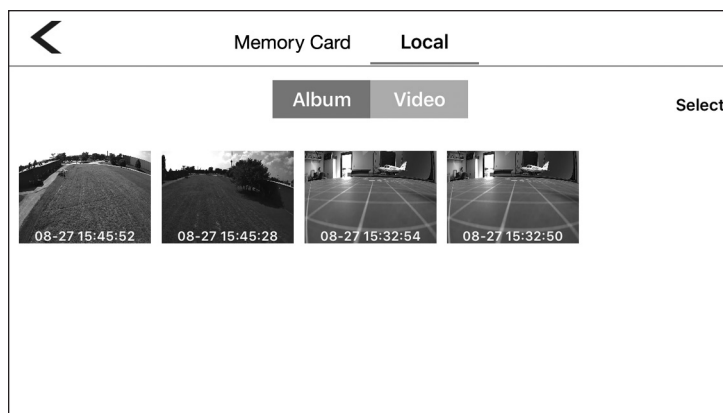
## APP CONTROLS



**Camera Button** – Tap to capture a photo.

**Video Button** – Tap to start/stop a video. While the video is being recorded, a timer will be visible.

**Gallery Button** – Tap to view photos and videos stored by the app. Open the SD card or local tabs to view the image/video.

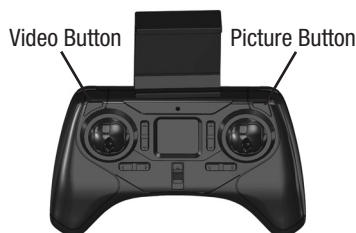


To share or delete an image/video

- Tap the Select button.
- Tap on the image.
- Tap the Share or Delete icon.

**Split Screen Button** – This button changes the display to a split screen view so your device can be used with a VR Headset (DIDZ1558 FPV Goggles, sold separately).

## FPV CAMERA CONTROLS



Press the picture button to capture a photo. BEEP!

Press the video button to start a video. BEEEEP!

The video button must be pressed again to stop and save the video.

The images will be stored in the Gallery in the app and also in your mobile device Photo Gallery.

The camera angle can be adjusted from straight ahead to about 90° down.

**Tip:** For best video quality, use a class 10 memory card.

## FLYING FPV

Your phone can be mounted in the holder on the controller or inserted in the VR headset (DIDZ1558) for a more immersive feel.

The range of the 5G Wi-Fi FPV camera is about 200 feet outdoors and 50 feet indoors, but may be less if the location has a lot of electromagnetic interference or metal objects in the walls.

If you are new to FPV, start by flying line of sight until you can maneuver the drone without having to think about which control to use. Practice by keeping both sticks centered and making only small movements.

When you are ready to start FPV, we recommend that a spotter be available to tell what the drone is doing. Master each of the following steps before moving to the next one.

### Step 1

- Take off.
- Hover at about 3 feet.
- Move a few inches to the right in any direction and return to the hover point. Repeat moving left, forward, and backward.
- Slowly land.

The goal is to get used to the view from the camera, the sensitivity of the controls, and judging your height.

### Step 2

- Take off.
- Fly slowly (about 10 feet away.)
- Turn around and return to the launch point.
- Slowly land.

The goal is to maintain your height until you are ready to land.

### Step 3

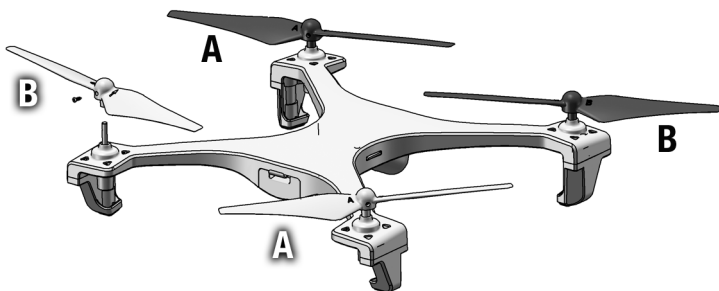
- Set up a course.

Keep it simple at first. When you can fly while maintaining your altitude, set up a course with gates or obstacles at different heights.

The goals are to fly the entire course while maintaining the altitude and increase your speed around the course.

## REPAIR AND MAINTENANCE

### Blade Replacement



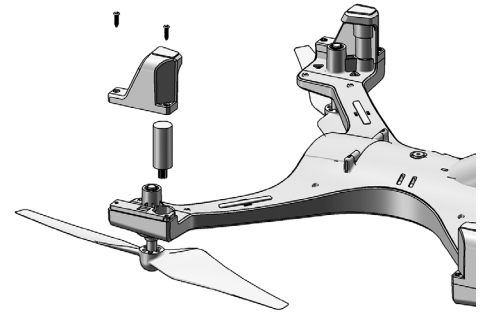
Each arm and rotor blade is marked with the letter “A” or “B”. The blade must be installed on an arm with the same letter or the quadcopter will not be able to fly.

Carefully remove the blade.

Black blades are on the front motors. White blades are on the rear.

### Motor Replacement

1. Remove the two screws from the foot.
2. Carefully remove the foot. The motor will unplug and come out with the foot.
3. Plug in the new motor and place it into the frame so the wires line up together.
4. Replace the foot carefully, so the wires get routed without getting pinched.



## TROUBLESHOOTING

### Flying Problems

**PROBLEM:** The drone will not respond to the controller.

**SOLUTION:** (1) Charge or change the battery.

- (2) Turn off the controller and disconnect the battery. Turn it back on and connect the battery. Move the throttle stick Up/Down to arm the motors.

**PROBLEM:** Red controller LED light flashes after linking.

**SOLUTION:** Replace with new AA batteries.

**PROBLEM:** Unable to flip.

**SOLUTION:** Battery voltage too low.

**PROBLEM:** Stabilization not working properly.

**SOLUTION:** (1) Battery voltage low.

(2) Calibrate the sensors.

(3) Check the rotor blades and motors for damage. A common problem is lint wrapped around the motor shaft or bent blades.

**PROBLEM:** Will not take off.

**SOLUTION:** (1) Rotor blades incorrectly installed. See Blade Replacement section.

(2) Battery is not fully charged.

(3) Check the rotor blades and motors for damage.

**PROBLEM:** Shaking.

**SOLUTION:** Check the canopy, frame, motors and rotor blades for damage.

**PROBLEM:** Does not maintain altitude when the throttle stick is in the center position.

**SOLUTION:** Calibrate the sensors.

### Video Problems

**PROBLEM:** The Wi-Fi connection is lost during flight.

**SOLUTION:** (1) There may be interference in the area. Try flying in a different location.

(2) You are exceeding the Wi-Fi range of the camera. Maintain a closer proximity to your device during flight.

**PROBLEM:** Video skips during playback.

**SOLUTION:** Use a high quality class 10 memory card formatted to FAT32.

**PROBLEM:** The app does not re-establish connection after the connection has been lost.

**SOLUTION:** Close the app and remove it from the background tasks. Restart the app.

**PROBLEM:** Horizontal scrolling lines appear in video or pictures.

**SOLUTION:** Avoid aiming the camera directly into the sun or reflected sunlight.

## LIMITED WARRANTY

### What this Warranty Covers

Horizon Hobby, LLC, (Horizon) warrants to the original purchaser that the product purchased (the "Product") will be free from defects in materials and workmanship at the date of purchase.

### What is Not Covered

This warranty is not transferable and does not cover (i) cosmetic damage, (ii) damage due to acts of God, accident, misuse, abuse, negligence, commercial use, or due to improper use, installation, operation or maintenance, (iii) modification of or to any part of the Product, (iv) attempted service by anyone other than a Horizon Hobby authorized service center, (v) Product not purchased from an authorized Horizon dealer, (vi) Product not compliant with applicable technical regulations, or (vii) use that violates any applicable laws, rules, or regulations.

OTHER THAN THE EXPRESS WARRANTY ABOVE, HORIZON MAKES NO OTHER WARRANTY OR REPRESENTATION, AND HEREBY DISCLAIMS ANY AND ALL IMPLIED WARRANTIES, INCLUDING, WITHOUT LIMITATION, THE IMPLIED WARRANTIES OF NON-INFRINGEMENT, MERCHANTABILITY AND FITNESS FOR A PARTICULAR PURPOSE. THE PURCHASER ACKNOWLEDGES THAT THEY ALONE HAVE DETERMINED THAT THE PRODUCT WILL SUITABLY MEET THE REQUIREMENTS OF THE PURCHASER'S INTENDED USE.

### Purchaser's Remedy

Horizon's sole obligation and purchaser's sole and exclusive remedy shall be that Horizon will, at its option, either (i) service, or (ii) replace, any Product determined by Horizon to be defective. Horizon reserves the right to inspect any and all Product(s) involved in a warranty claim. Service or replacement decisions are at the sole discretion of Horizon. Proof of purchase is required for all warranty claims. SERVICE OR REPLACEMENT AS PROVIDED UNDER THIS WARRANTY IS THE PURCHASER'S SOLE AND EXCLUSIVE REMEDY.

### Limitation of Liability

HORIZON SHALL NOT BE LIABLE FOR SPECIAL, INDIRECT, INCIDENTAL OR CONSEQUENTIAL DAMAGES, LOSS OF PROFITS OR PRODUCTION OR COMMERCIAL LOSS IN ANY WAY, REGARDLESS OF WHETHER SUCH CLAIM IS BASED IN CONTRACT, WARRANTY, TORT, NEGLIGENCE, STRICT LIABILITY OR ANY OTHER THEORY OF LIABILITY, EVEN IF HORIZON HAS BEEN ADVISED OF THE POSSIBILITY OF SUCH DAMAGES. Further, in no event shall the liability of Horizon exceed the individual price of the Product on which liability is asserted. As Horizon has no control over use, setup, final assembly, modification or misuse, no liability shall be assumed nor accepted for any resulting damage or injury. By the act of use, setup or assembly, the user accepts all resulting liability. If you as the purchaser or user are not prepared to accept the liability associated with the use of the Product, purchaser is advised to return the Product immediately in new and unused condition to the place of purchase.

### Law

These terms are governed by Illinois law (without regard to conflict of law principals). This warranty gives you specific legal rights, and you may also have other rights which vary from state to state. Horizon reserves the right to change or modify this warranty at any time without notice.

## WARRANTY SERVICES

### Questions, Assistance, and Services

Your local hobby store and/or place of purchase cannot provide warranty support or service. Once assembly, setup or use of the Product has been started, you must contact your local distributor or Horizon directly. This will enable Horizon

to better answer your questions and service you in the event that you may need any assistance. For questions or assistance, please visit our website at [www.horizonhobby.com](http://www.horizonhobby.com), submit a Product Support Inquiry, or call the toll free telephone number referenced in the Warranty and Service Contact Information section to speak with a Product Support representative.

### Inspection or Services

If this Product needs to be inspected or serviced and is compliant in the country you live and use the Product in, please use the Horizon Online Service Request submission process found on our website or call Horizon to obtain a Return Merchandise Authorization (RMA) number. Pack the Product securely using a shipping carton. Please note that original boxes may be included, but are not designed to withstand the rigors of shipping without additional protection. Ship via a carrier that provides tracking and insurance for lost or damaged parcels, as Horizon is not responsible for merchandise until it arrives and is accepted at our facility. An Online Service Request is available at [http://www.horizonhobby.com/content/service-center\\_render-service-center](http://www.horizonhobby.com/content/service-center_render-service-center). If you do not have internet access, please contact Horizon Product Support to obtain a RMA number along with instructions for submitting your product for service. When calling Horizon, you will be asked to provide your complete name, street address, email address and phone number where you can be reached during business hours. When sending product into Horizon, please include your RMA number, a list of the included items, and a brief summary of the problem. A copy of your original sales receipt must be included for warranty consideration. Be sure your name, address, and RMA number are clearly written on the outside of the shipping carton.

**NOTICE: Do not ship LiPo batteries to Horizon. If you have any issue with a LiPo battery, please contact the appropriate Horizon Product Support office.**

### Warranty Requirements

**For Warranty consideration, you must include your original sales receipt verifying the proof-of-purchase date.** Provided warranty conditions have been met, your Product will be serviced or replaced free of charge. Service or replacement decisions are at the sole discretion of Horizon.

### Non-Warranty Service

Should your service not be covered by warranty, service will be completed and payment will be required without notification or estimate of the expense unless the expense exceeds 50% of the retail purchase cost. By submitting the item for service you are agreeing to payment of the service without notification. Service estimates are available upon request. You must include this request with your item submitted for service. Non-warranty service estimates will be billed a minimum of ½ hour of labor. In addition you will be billed for return freight. Horizon accepts money orders and cashier's checks, as well as Visa, MasterCard, American Express, and Discover cards. By submitting any item to Horizon for service, you are agreeing to Horizon's Terms and Conditions found on our website [http://www.horizonhobby.com/content/service-center\\_render-service-center](http://www.horizonhobby.com/content/service-center_render-service-center).

**ATTENTION: Horizon service is limited to Product compliant in the country of use and ownership. If received, a non-compliant Product will not be serviced. Further, the sender will be responsible for arranging return shipment of the un-serviced Product, through a carrier of the sender's choice and at the sender's expense. Horizon will hold non-compliant Product for a period of 60 days from notification, after which it will be discarded.** 10/15

## Warranty and Service Contact Information

Country of Purchase	Horizon Hobby	Contact Information	Address
United States of America	Horizon Service Center (Repairs and Repair Requests)	<a href="http://servicecenter.horizonhobby.com/RequestForm/">servicecenter.horizonhobby.com/RequestForm/</a>	Horizon Hobby, LLC. 2904 Research Road Champaign, IL 61822
	Horizon Product Support (Product Technical Assistance)	<a href="mailto:productsupport@horizonhobby.com">productsupport@horizonhobby.com</a> 877-504-0233	
	Sales	<a href="mailto:websales@horizonhobby.com">websales@horizonhobby.com</a> 800-338-4639	

## FCC INFORMATION

**FCC ID: BRWMR210, BRWDIDH1100C**  
**IC: 6157A-MR210, 6157A-DIDH1100C**

This device complies with part 15 of the FCC rules. Operation is subject to the following two conditions: (1) This device may not cause harmful interference, and (2) this device must accept any interference received, including interference that may cause undesired operation.



**CAUTION:** Changes or modifications not expressly approved by the party responsible for compliance could void the user's authority to operate the equipment. The distance between user and products should be no less than 20cm.

This product contains a radio transmitter with wireless technology which has been tested and found to be compliant with the applicable regulations governing a radio transmitter in the 2.400GHz to 2.4835GHz frequency range.

## SUPPLIER'S DECLARATION OF CONFORMITY

**Sync 251 UAV Drone RTF**  
**DIDH1100**



This device complies with part 15 of the FCC Rules. Operation is subject to the following two conditions: (1) This device may not cause harmful interference, and (2) this device must accept any interference received, including interference that may cause undesired operation.



**CAUTION:** Changes or modifications not expressly approved by the party responsible for compliance could void the user's authority to operate the equipment.

**NOTE:** This equipment has been tested and found to comply with the limits for a Class B digital device, pursuant to part 15 of the FCC Rules. These limits are designed to provide reasonable protection against harmful interference in a residential

installation. This equipment generates, uses and can radiate radio frequency energy and, if not installed and used in accordance with the instructions, may cause harmful interference to radio communications. However, there is no guarantee that interference will not occur in a particular installation. If this equipment does cause harmful interference to radio or television reception, which can be determined by turning the equipment off and on, the user is encouraged to try to correct the interference by one or more of the following measures:

- Reorient or relocate the receiving antenna.
- Increase the separation between the equipment and receiver.
- Connect the equipment into an outlet on a circuit different from that to which the receiver is connected.
- Consult the dealer or an experienced radio/TV technician for help.

**Horizon Hobby, LLC**  
2904 Research Road  
Champaign, IL 61822

**Email:**  
compliance@horizonhobby.com  
**Web:** HorizonHobby.com

## IC INFORMATION

**CAN ICES-3 (B)/NMB-3(B)**  
**IC: 6157A-MR210, 6157A-DIDH1100C**

This device contains licence-exempt transmitter(s)/receiver(s) that comply with Innovation, Science and Economic Development Canada's licence-exempt RSS(s). Operation is subject to the following two conditions:

- (1) This device may not cause interference.
- (2) This device must accept any interference, including interference that may cause undesired operation of the device.

The distance between user and products should be no less than 20cm

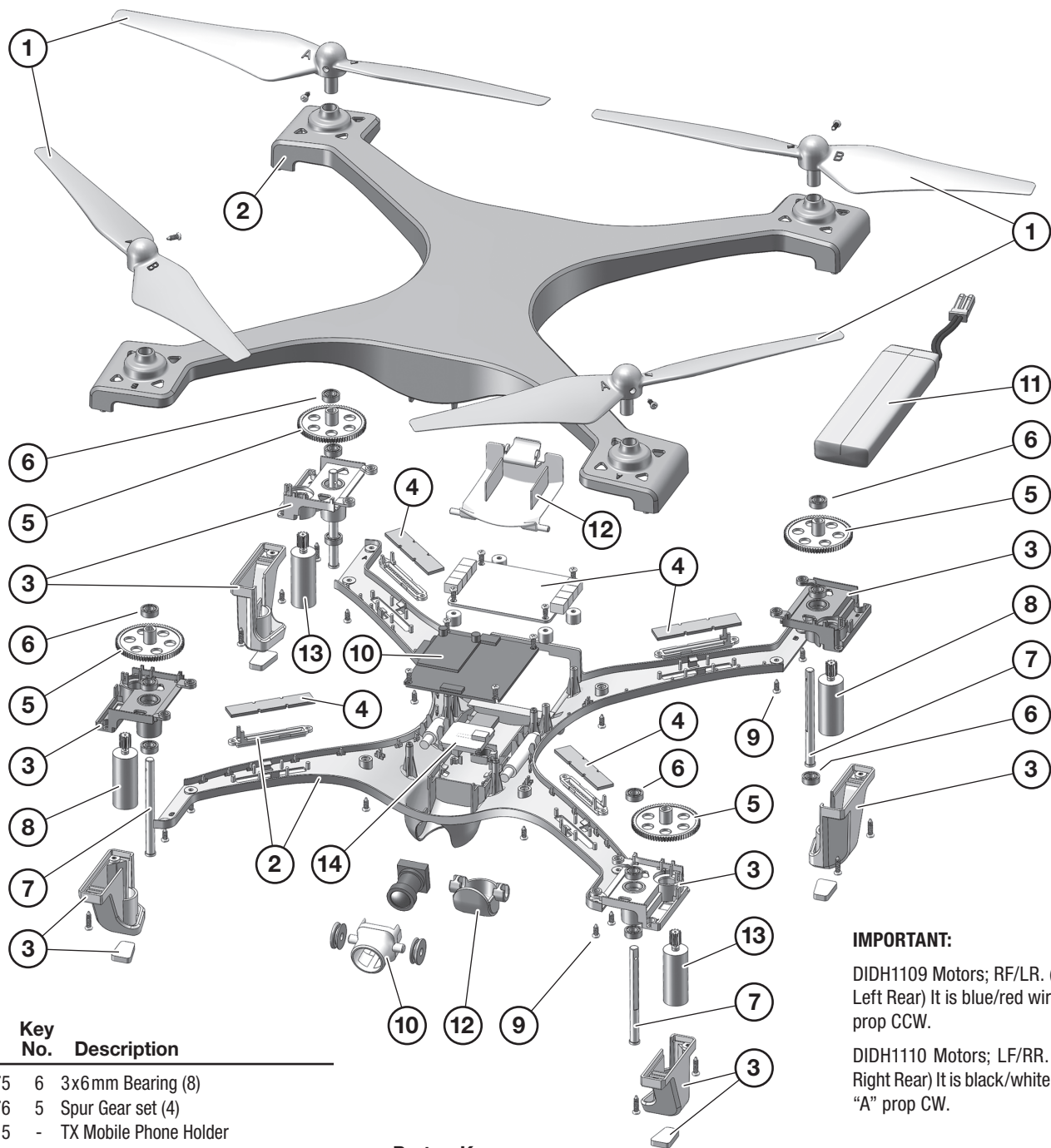
Cet appareil contient des émetteurs / récepteurs exemptés de licence conformes aux RSS (RSS) d'Innovation, Sciences et Développement économique Canada. Le fonctionnement est soumis aux deux conditions suivantes :

- (1) Cet appareil ne doit pas causer d'interférences.
- (2) Cet appareil doit accepter toutes les interférences, y compris celles susceptibles de provoquer un fonctionnement indésirable de l'appareil.

La distance entre l'utilisateur et de produits ne devrait pas être inférieure à 20cm



# REPLACEMENT PARTS



**Part No. Key No. Description**

DIDE1175	6	3x6mm Bearing (8)
DIDE1176	5	Spur Gear set (4)
DIDE1215	-	TX Mobile Phone Holder
DIDH0210	-	MR210 Transmitter Sync 251
DIDH1101	11	3.7V 900mAh 1S 30C LiPo w/ JST Plug
DIDH1102	4	Main Control Board Sync 251
DIDH1103	7	Prop Shaft Sync 251(4)
DIDH1104	9	Screw Set Sync 251
DIDH1105	3	Motor Pod Set, Left/Right Sync
DIDH1106	12	Battery Door, UAV camera cover Sync
DIDH1107	2	Top and Bottom Frame Sync 251

**Part No. Key No. Description**

DIDH1108	10	5G Wi-Fi 1080P Camera set Sync 251
DIDH1109	8	Motor (CCW) w/Pinion Sync 251 (2)
DIDH1110	13	Motor (CW) w/Pinion Sync 251 (2)
DIDH1111	14	Optical Flow Board w/sensor Sync 251
DIDH1112	1	Prop Set Sync 251 (White/Black, 2ea)
DIDP1121	-	USB Charger

**IMPORTANT:**

DIDH1109 Motors; RF/LR. (Right Front, Left Rear) It is blue/red wire. Spins "B" prop CCW.

DIDH1110 Motors; LF/RR. (Left Front, Right Rear) It is black/white wires. Spins "A" prop CW.

**Optional**

DIDZ1558	FPV Goggles
DIDE1277	Prop Set (red/black, 2ea)
DYNC2030	Prophet Sport Mini 50W Charger
DYNC0032	Charger Lead w/JST Female

[www.dromida.com/support](http://www.dromida.com/support)



[www.dromida.com](http://www.dromida.com)



# SYNC™ 251

## UAV/FPV



**LISEZ CES INSTRUCTIONS  
AVANT LE VOL**



## GUIDE DE DÉMARRAGE RAPIDE

1



Allumez le contrôleur.

2



Connectez la batterie chargée.  
Fermez la porte.

3



Placez l'appareil sur une  
surface plane.

4



Déplacez la manette de gauche  
vers le haut, puis vers le bas  
pour activer les moteurs.

5



Appuyez sur le bouton et relâchez-le pour  
démarrer les moteurs. Appuyez à nouveau sur  
le bouton pour un décollage automatique ou  
un atterrissage automatique.

6



**ET VOLEZ !**



**AVERTISSEMENT** : ce produit comprend une batterie au lithium-polymère (LiPo). Un fonctionnement incorrect peut provoquer un **INCENDIE**. Il vous incombe de respecter toutes les précautions de sécurité mentionnées dans ce manuel d'utilisation.

## REMARQUE

La totalité des instructions, garanties et autres documents est sujette à modification à la seule discrétion d'Horizon Hobby, LLC. Pour obtenir la documentation à jour, rendez-vous sur le site [horizonhobby.com](http://horizonhobby.com) et cliquez sur l'onglet de support de ce produit.


## Signification de certains termes spécifiques

Les termes suivants sont utilisés dans l'ensemble du manuel pour indiquer différents niveaux de danger lors de l'utilisation de ce produit :

**AVERTISSEMENT** : procédures qui, si elles ne sont pas suivies correctement, peuvent entraîner des dégâts matériels et des blessures graves OU engendrer une probabilité élevée de blessure superficielle.

**ATTENTION** : procédures qui, si elles ne sont pas suivies correctement, peuvent entraîner des dégâts matériels ET des blessures graves.

**REMARQUE** : procédures qui, si elles ne sont pas suivies correctement, peuvent entraîner des dégâts matériels ET éventuellement un faible risque de blessures.

 **AVERTISSEMENT** : lisez la TOTALITÉ du manuel d'utilisation afin de vous familiariser avec les caractéristiques du produit avant de le faire fonctionner. Une utilisation incorrecte du produit peut entraîner sa détérioration, ainsi que des risques de dégâts matériels, voire de blessures graves.

Ceci est un produit de loisirs sophistiqué. Il doit être manipulé avec prudence et bon sens et requiert des aptitudes de base en mécanique. Toute utilisation irresponsable de ce produit ne respectant pas les principes de sécurité peut provoquer des blessures, entraîner des dégâts matériels et endommager le produit. Ce produit n'est pas destiné à être utilisé par des enfants sans la surveillance directe d'un adulte. N'essayez pas de démonter le produit, de l'utiliser avec des composants incompatibles ou d'en améliorer les performances sans l'accord d'Horizon Hobby, LLC. Ce manuel comporte des instructions relatives à la sécurité, au fonctionnement et à l'entretien. Il est capital de lire et de respecter la totalité des instructions et avertissements du manuel avant l'assemblage, le réglage et l'utilisation, ceci afin de manipuler correctement l'appareil et d'éviter tout dégât matériel ou toute blessure grave.

## 14 ans et plus. Ceci n'est pas un jouet.

## MESURES DE SÉCURITÉ

Respectez ces précautions de sécurité lorsque vous utilisez ce modèle de drone ou tout autre drone.

- Ne touchez pas les pales en mouvement et ne faites pas voler l'appareil au-dessus de personnes ou d'animaux.
- Maintenez-vous (visage et corps), ainsi que tous les spectateurs à l'écart des rotors lorsque la batterie est connectée.
- Éloignez-vous de tout bâtiment, arbre et ligne électrique. ÉVITEZ d'utiliser l'appareil dans ou à proximité de lieux fréquentés. N'utilisez PAS l'appareil à proximité de personnes, d'enfants ou d'animaux.
- Maintenez une distance de sécurité pilote-drone pendant le vol.
- Votre drone Sync 251 ne doit pas être considéré comme un jouet, mais plutôt comme un modèle réduit. En cas de mauvaise utilisation, le modèle peut causer des blessures graves à votre rencontre ou à celle de spectateurs, ainsi que des dommages matériels.
- Ne modifiez pas le modèle, car cela peut entraîner un avion peu sûr et une impossibilité de le piloter.
- Vous devez contrôler le fonctionnement du modèle avant chaque vol pour garantir qu'il demeure sécurisé.



**ATTENTION** : Les modifications apportées à ce produit sans autorisation expresse de la partie responsable de la conformité peuvent entraîner l'annulation de l'agrément de l'utilisateur pour l'utilisation de cet appareil.

## PRÉCAUTIONS LIÉES À L'EMPLACEMENT

Le drone Sync™ utilise la technologie de flux optique pour maintenir l'appareil en place. Ceci est possible en prenant des photos répétées du sol et en comparant les pixels d'une photo à une autre très rapidement. Si une modification est détectée, le capteur ordonne au drone d'ajuster sa position. Cette technologie est formidable, mais certains éléments peuvent venir perturber le capteur :

- Les sols brillants et réfléchissants peuvent entraîner une dérive de l'appareil qui tente de suivre les reflets lumineux.
- Les surfaces qui sont très régulières comme l'asphalte noire, la neige ou les sols carrelés uniformes peuvent également perturber le capteur et entraîner une dérive de l'appareil.
- Faire voler l'appareil au-dessus de l'eau ou de tout élément susceptible de bouger va entraîner une dérive du drone.
- Lorsqu'il vente et que l'herbe ou les fleurs sont en mouvement, le drone peut dériver. Si vous constatez que votre appareil est à la dérive là où vous vous trouvez, déplacez-vous à un endroit où le capteur peut voir les objets fixes.

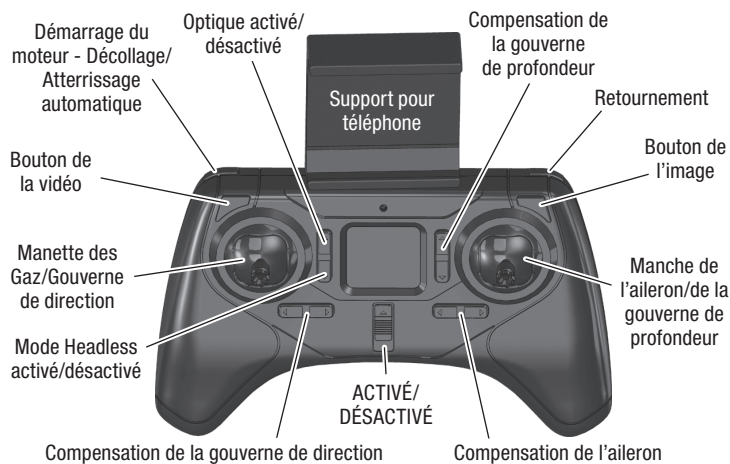
## AVERTISSEMENTS RELATIFS AU CHARGEMENT



**ATTENTION** : Toutes les instructions et les précautions doivent être suivies. Une erreur de manipulation d'une batterie Li-Po peut causer un incendie entraînant des dégâts matériels avec risques de blessures.

- **NE LAISSEZ JAMAIS DES BATTERIES EN CHARGE SANS SURVEILLANCE.**
- **NE CHARGEZ JAMAIS DES BATTERIES DURANT LA NUIT.**
- En manipulant, en chargeant ou en utilisant la batterie Li-Po incluse, vous assumez tous les risques associés aux batteries au lithium.
- Si la batterie commence à gonfler ou à se dilater, cessez immédiatement de l'utiliser. Si vous procédez à sa charge ou à sa décharge, arrêtez immédiatement et déconnectez-la. Continuer à utiliser, charger ou décharger une batterie qui gonfle ou se dilate peut provoquer un incendie.
- Pour obtenir de meilleurs résultats, entreposez toujours la batterie à température ambiante dans un endroit sec.
- Lorsque vous transportez la batterie ou que vous la stockez temporairement, la température doit toujours être comprise entre 5 et 49°C.
- Ne stockez en aucun cas la batterie ou le modèle dans une voiture ou à un endroit directement exposé à la lumière du soleil. Laisse dans une voiture chaude, la batterie peut se détériorer ou même prendre feu.
- Chargez toujours les batteries à l'écart de tout matériau inflammable.
- Contrôlez toujours l'état de la batterie avant la charge.
- Déconnectez toujours la batterie quand la charge est terminée et laissez le chargeur refroidir entre deux charges.
- Surveillez toujours la température de la batterie durant la charge.
- UTILISEZ UNIQUEMENT UN CHARGEUR CONÇU POUR CHARGER LES BATTERIES LI-PO. L'utilisation d'un autre type de chargeur risque de causer un incendie provoquant des blessures corporelles et des dégâts matériels.
- Ne déchargez jamais une batterie Li-Po en dessous de 3V par élément.
- Ne couvrez jamais les étiquettes d'avertissement avec des bandes auto-agrippantes.
- Ne chargez jamais les batteries en dehors de la plage de températures garantissant la sécurité.
- Ne chargez jamais des batteries endommagées.
- Ne tentez jamais de démonter ou modifier le chargeur.
- Ne laissez jamais un mineur manipuler seul les batteries.
- Ne chargez jamais les batteries dans des lieux où les températures sont extrêmes (température recommandée entre 5 et 49°) ou en plein soleil.

## CONTRÔLEUR



Retirez la vis du capot du compartiment de la batterie. Enlevez le capot et insérez (4) piles AAA. Remplacez le capot et fixez-le à l'aide de la vis.

- Ne mélangez des piles neuves et anciennes.
- Ne mélangez pas des piles alcalines, standard ou rechargeables.

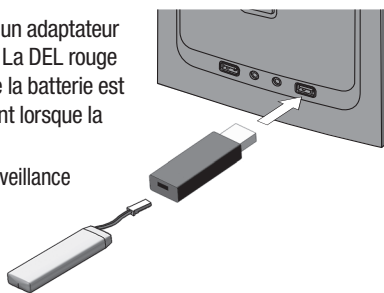
**ATTENTION** : Risque d'explosion si la pile est remplacée par une mauvaise pile. Mettez les piles usagées au rebut conformément aux instructions.



## CHARGEMENT DE LA BATTERIE DE VOL

Branchez le chargeur à un port USB ou un adaptateur CA (non fourni) et raccordez la batterie. La DEL rouge restera allumée en continu pendant que la batterie est en charge. La DEL va clignoter lentement lorsque la batterie est entièrement chargée.

- Ne laissez JAMAIS la batterie sans surveillance pendant la charge.
- EMPÊCHEZ la mise hors tension du port USB lorsque le chargeur est connecté à la batterie.
- Débranchez TOUJOURS le chargeur du port USB et la batterie lorsque la charge est terminée.
- Le connecteur de batterie ne s'insère que dans un sens.



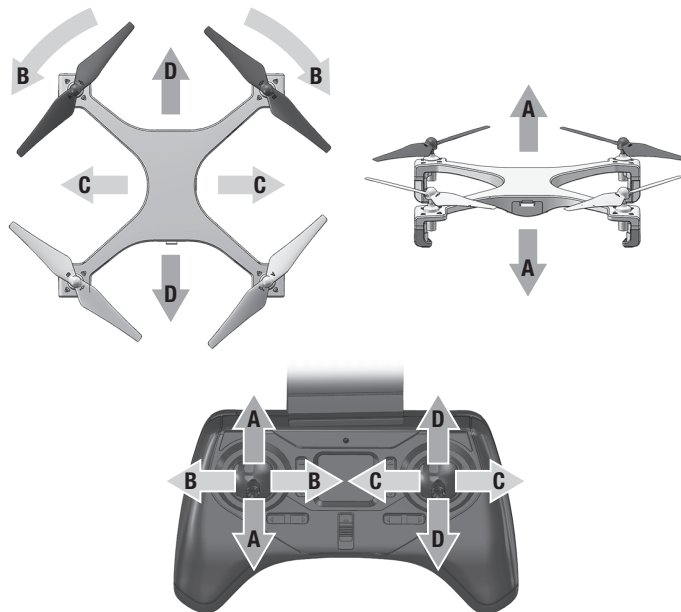
## PRÉPAREZ-VOUS À VOLER

1. Allumez le contrôleur.
2. Raccordez la batterie de vol et placez-la sur une surface plane.
3. Mettez la manette des gaz à la position la plus élevée. Un signal sonore est émis.
4. Mettez la manette des gaz à la position la plus basse. Un signal sonore est émis. Les DEL clignotantes des bras du drone Sync 251 s'allument en continu.
5. Pour votre premier vol, nous vous recommandons de calibrer les capteurs (page 4).



Les moteurs sont désormais armés et peuvent être actionnés au moyen du bouton de démarrage du moteur.

## FAIRE VOLER UN APPAREIL

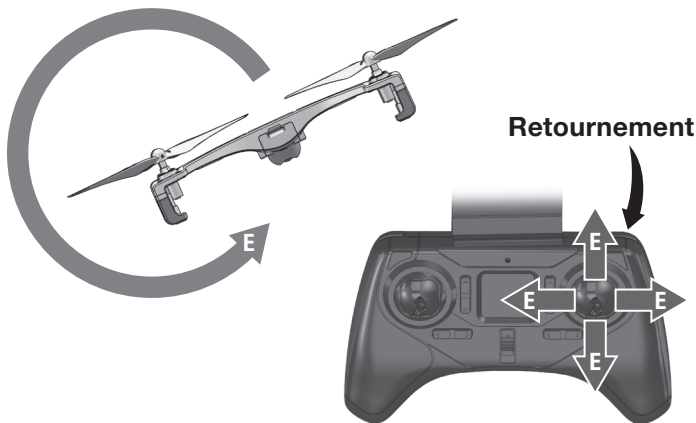
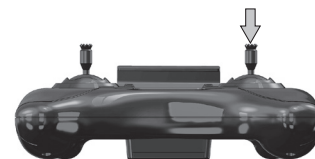


**Vol de base** Après avoir connecté la batterie, déplacez la manette de gauche vers le haut, puis vers le bas pour activer les moteurs. Appuyez sur le bouton de démarrage du moteur jusqu'à ce que les moteurs commencent à tourner. Appuyez à nouveau. Le drone va décoller automatiquement et planer à environ 1 mètre (3 pieds). **OPTION** : Une fois que les moteurs sont en rotation, vous pouvez également utiliser la manette des gaz pour procéder à un décollage manuel. Avancez doucement la manette des gaz et relâchez-la lorsque vous atteignez la hauteur souhaitée.

La sensibilité de commande doit se trouver en position faible pour des vols à l'intérieur. Pour déplacer l'appareil, privilégiez de petits mouvements des leviers de commande de l'inclinaison, du retournement et du lacet. Relevez ou abaissez la manette des gaz pour modifier l'altitude. Une fois que le drone est à la hauteur souhaitée, relâchez la manette des gaz pour que le capteur de maintien d'altitude puisse maintenir l'altitude. Si vous rencontrez des difficultés et que vous voyez que le drone est sur le point de tomber, appuyez sur le bouton de DÉMARRAGE/ARRÊT DES MOTEURS et MAINTENEZ-LE ENFONCÉ pour arrêter les moteurs le plus vite possible.

**Réglage de la sensibilité** Appuyez sur la manette de droite pour changer la sensibilité des commandes.

Sensibilité	Bip	DEL du mode de vol
Bas	1	Bleu
Élevé	2	Violet



**Retournements** Appuyez sur le bouton de retournement. Déplacez la manette de droite dans la direction souhaitée et relâchez-la au début du retournement.

**IMPORTANT** : Il n'est pas possible de réaliser des retournements lorsque les DEL indiquent une tension de batterie faible.



**Alarme de tension faible** Les DEL sur les bras clignotent lorsque la tension de batterie devient faible. Faites atterrir le drone le plus rapidement possible et chargez la batterie. Avant de ranger la batterie, elle doit être chargée.

Déconnectez TOUJOURS la batterie lorsqu'elle n'est pas utilisée.

**Mode Headless** Lorsque vous activez ce mode, les mouvements du drone dépendent du contrôleur, quelle que soit la direction vers laquelle pointe le drone. Par exemple, lorsque vous poussez le contrôleur vers l'avant, le drone s'éloigne de vous, même si la caméra pointe sur le côté ou vers vous. Lorsque le mode Headless est activé, les DEL clignotent doucement. Pour activer le mode Headless :



6. L'empennage du drone DOIT faire face au pilote lorsque le drone est branché pour la première fois et posé.
7. Le pilote ne doit pas changer de position ou de direction une fois le contrôleur et le drone connectés..

**Optique activé/désactivé** L'optique fonctionne parfaitement pour le maintien du drone en position. Toutefois, si vous souhaitez davantage de liberté, vous pouvez le désactiver en appuyant sur le bouton du haut. La DEL rouge clignote rapidement et la DEL bleue/violette de l'émetteur (pour la sensibilité faible/élevée) devient (orange clair et orange vif).



## CALIBRAGE DU CAPTEUR

Il est normal d'exiger de petites corrections en vol stationnaire. Toutefois, si le quadricoptère a une forte tendance à dériver dans une direction, les capteurs ont peut-être besoin d'être calibrés.

1. Mettez le contrôleur et le drone en marche.
2. Placez le quadricoptère sur une surface plane.
3. Centrez tous les compensateurs.
4. Maintenez les leviers dans les coins intérieurs droits. Lorsque les DEL sur les bras commencent à clignoter rapidement, relâchez les leviers. NE bougez PAS tant que les DEL ne sont pas allumés en continu.



## APPLICATION

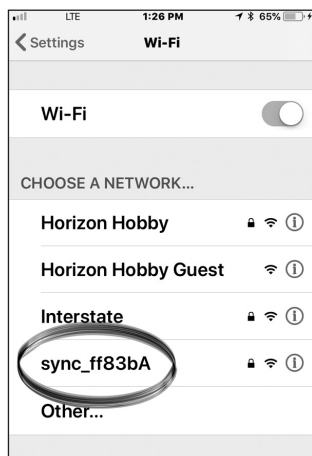
Le drone va se connecter à une application de votre appareil mobile iOS/Android de manière à le faire voler en mode FPV.

Pour télécharger l'application, rendez-vous sur l'App Store de votre appareil et saisissez « Sync FPV » comme terme de recherche.



## CONNEXION à l'application

Mettez le drone sous tension, ouvrez les paramètres Wi-Fi de votre appareil et sélectionnez le réseau « SYNC-..... ». Le mot de passe est « 12345678 ».



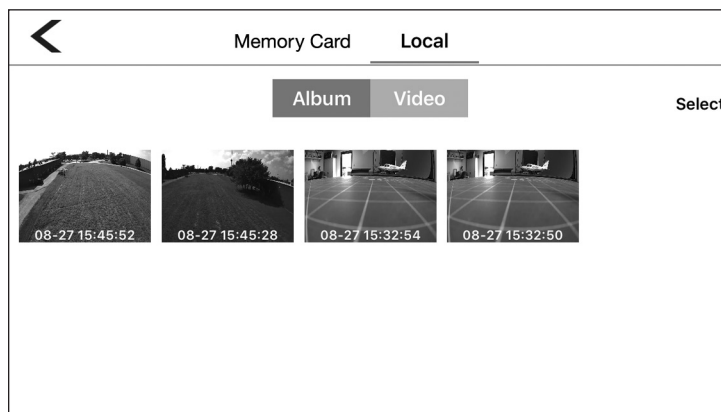
## CONTRÔLES DE L'APPLICATION



**Bouton de la caméra** – Appuyez sur le bouton pour prendre une photo.

**Bouton de la vidéo** – Appuyez sur le bouton pour commencer/arrêter une vidéo. Lors de l'enregistrement de la vidéo, un minuteur apparaît.

**Bouton de la galerie** – Appuyez sur le bouton pour afficher les photos et les vidéos enregistrées par l'application. Ouvrez la carte SD ou les onglets locaux pour afficher l'image/la vidéo.



Pour partager ou supprimer une image/vidéo

- Appuyez sur le bouton de sélection.
- Appuyez sur l'image.
- Appuyez sur l'icône de partage ou de suppression.

**Bouton Split Screen (Écran partagé)** – Ce bouton permet d'obtenir une vue fractionnée de manière à utiliser votre appareil avec un casque VR (Lunettes FPV DIDZ1558, vendues séparément).

## CONTRÔLES DE LA CAMÉRA FPV

Bouton de la vidéo



Bouton de l'image

Appuyez sur le bouton de l'image pour prendre une photo. BIP

Appuyez sur le bouton de la vidéo pour commencer une vidéo. BIPIP

Appuyez à nouveau sur le bouton de la vidéo pour arrêter et enregistrer la vidéo.

Les images seront enregistrées dans la galerie de l'application et également dans la galerie de photos de votre appareil mobile.

Vous pouvez ajuster l'angle de la caméra d'une position aligné, dirigé vers l'avant, à environ 90 ° vers le bas.

**Conseil** : Pour obtenir une vidéo de meilleure qualité, utilisez une carte mémoire de classe 10.



## VOL DE L'APPAREIL FPV

Pour une sensation d'immersion encore plus grande, vous pouvez installer votre téléphone dans le support du contrôleur ou l'insérer dans le casque VR (DIDZ1558).

La portée de la caméra FPV Wi-Fi 5G est d'environ 61 m (200 pieds) à l'extérieur et de 15 m (50 pieds) à l'intérieur, mais elle peut être inférieure en présence d'une grande quantité d'interférences électromagnétiques ou d'objets métalliques dans les murs.



Si vous n'êtes pas familier avec le FPV, commencez par faire voler l'appareil dans votre champ de vision tant que vous n'avez pas besoin de réfléchir à la commande que vous devez utiliser pour manœuvrer le drone. Entraînez-vous en maintenant les manettes centrées et en faisant uniquement de petits mouvements.

Lorsque vous êtes prêt à démarrer le FPV, nous vous recommandons d'utiliser un repérage pour indiquer l'action du drone. Maîtrisez chacune des étapes ci-après avant de passer à l'étape suivante.

### Étape 1

- Faites décoller le drone.
- Faites-le planer à environ 1 mètre (3 pieds).
- Déplacez-le de quelques centimètres vers la droite dans n'importe quelle direction et revenez au point stationnaire. Répétez le déplacement vers la gauche, vers l'avant et vers l'arrière.
- Faites-le atterrir doucement.

L'objectif est de s'habituer à la vue de la caméra, à la sensibilité des commandes et à l'évaluation de la hauteur.

### Étape 2

- Faites décoller le drone.
- Faites-le voler doucement (à environ 3 mètres (10 pieds)).
- Faites-lui faire demi-tour et faites-le revenir au point de départ.
- Faites-le atterrir doucement.

L'objectif est de maintenir sa hauteur jusqu'à ce que vous soyez prêt à atterrir.

### Étape 3

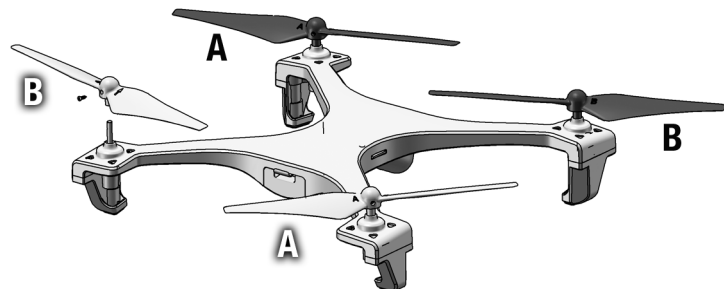
- Élaborez un parcours.

Choisissez un parcours simple pour commencer. Lorsque vous êtes en mesure de faire voler l'appareil tout en maintenant votre altitude, élaborez un parcours avec des portes et des obstacles à différentes hauteurs.

L'objectif étant de faire voler l'appareil sur tout un parcours tout en maintenant l'altitude, et d'augmenter votre vitesse sur le parcours.

## RÉPARATION ET ENTRETIEN

### Remplacement des pales



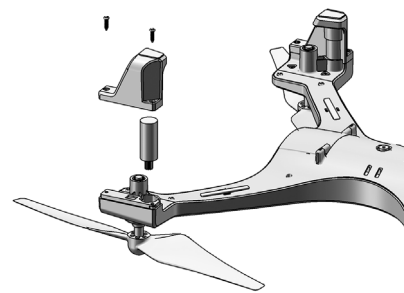
Chaque bras et pale du rotor porte la lettre « A » ou « B ». La pale doit être installée sur un bras portant la même lettre. Sinon, le quadricoptère ne sera pas en mesure de voler.

Retirez la pale avec précaution.

Les pales noires se trouvent sur les moteurs avant. Les pales blanches se trouvent à l'arrière.

### Remplacement du moteur

1. Retirez les deux vis du pied.
2. Retirez le pied avec précaution. Le moteur va se débrancher et se dégager avec le pied.
3. Branchez le nouveau moteur et placez-le dans le châssis pour que les câbles se positionnent ensemble.
4. Repositionnez le pied avec précaution pour acheminer les câbles sans les pincer.



## DÉPANNAGE

### Problèmes liés au vol

**PROBLÈME :** Le drone ne répond pas au contrôleur.

**SOLUTION :** (1) Chargez la batterie ou remplacez-la.

- (2) Mettez le contrôleur hors tension et débranchez la batterie. Remettez-le sous tension et branchez la batterie. Déplacez la manette des gaz vers le haut/bas pour activer les moteurs.

**PROBLÈME :** La DEL du contrôleur rouge clignote une fois la liaison établie.

**SOLUTION :** Insérez de nouvelles piles AA.

**PROBLÈME :** Retournement impossible.

**SOLUTION :** La tension de la batterie est trop faible.

**PROBLÈME :** La stabilisation ne fonctionne pas correctement.

- SOLUTION :** (1) La tension de la batterie est faible.  
(2) Calibrez les capteurs.  
(3) Vérifiez que les pales du rotor et les moteurs ne sont pas endommagés. L'un des problèmes les plus fréquents est lorsque des peluches s'enroulent autour de l'arbre du moteur ou des pales courbées.

**PROBLÈME :** Décollage impossible.

- SOLUTION :** (1) Les pales du rotor ne sont pas installées correctement. Consultez la section Remplacement des pales.  
(2) La batterie n'est pas complètement chargée.  
(3) Vérifiez que les pales du rotor et les moteurs ne sont pas endommagés.

**PROBLÈME :** Balancement.

**SOLUTION :** Vérifiez que la verrière, le châssis, les moteurs et les pales du rotor ne sont pas endommagés.

**PROBLÈME :** Ne maintenez pas l'altitude lorsque la manette des gaz est en position centrale.

**SOLUTION :** Calibrez les capteurs.

### Problèmes liés à la vidéo

**PROBLÈME :** Perte de la connexion Wi-Fi au cours du vol.

- SOLUTION :** (1) Il peut y avoir une interférence dans la zone. Tentez de faire voler l'appareil dans une autre zone.  
(2) Vous êtes au-delà de la portée Wi-Fi de la caméra. Rapprochez-vous de votre appareil lors du vol.

**PROBLÈME :** La vidéo saute lors de la lecture.

**SOLUTION :** Utilisez une carte mémoire de classe 10 de qualité formatée en FAT32.

**PROBLÈME :** L'application ne rétablit pas la connexion une fois la connexion perdue.

**SOLUTION :** Fermez l'application et supprimez-la des tâches en arrière-plan. Redémarrez l'application.

**PROBLÈME :** Des lignes de défilement horizontales apparaissent dans la vidéo ou sur les images.

**SOLUTION :** Évitez d'orienter l'appareil directement vers le soleil ou la lumière réfléchie.

## GARANTIE ET RÉPARATIONS

### Durée de la garantie

Garantie exclusive - Horizon Hobby, LLC (Horizon) garantit que le Produit acheté (le « Produit ») sera exempt de défauts matériels et de fabrication à sa date d'achat par l'Acheteur. La durée de garantie correspond aux dispositions légales du pays dans lequel le produit a été acquis. La durée de garantie est de 6 mois et la durée d'obligation de garantie de 18 mois à l'expiration de la période de garantie.

### Limitations de la garantie

- (a) La garantie est donnée à l'acheteur initial (« Acheteur ») et n'est pas transférable. Le recours de l'acheteur consiste en la réparation ou en l'échange dans le cadre de cette garantie. La garantie s'applique uniquement aux produits achetés chez un revendeur Horizon agréé. Les ventes faites à des tiers ne sont pas couvertes par cette garantie. Les revendications en garantie seront acceptées sur fourniture d'une preuve d'achat valide uniquement. Horizon se réserve le droit de modifier les dispositions de la présente garantie sans avis préalable et révoque alors les dispositions de garantie existantes.
- (b) Horizon n'endosse aucune garantie quant à la vendabilité du produit ou aux capacités et à la forme physique de l'utilisateur pour une utilisation donnée du produit. Il est de la seule responsabilité de l'acheteur de vérifier si le produit correspond à ses capacités et à l'utilisation prévue.
- (c) Recours de l'acheteur – Il est de la seule discrétion d'Horizon de déterminer si un produit présentant un cas de garantie sera réparé ou échangé. Ce sont là les recours exclusifs de l'acheteur lorsqu'un défaut est constaté.

Horizon se réserve la possibilité de vérifier tous les éléments utilisés et susceptibles d'être intégrés dans le cas de garantie. La décision de réparer ou de remplacer le produit est du seul ressort d'Horizon. La garantie exclut les défauts esthétiques ou les défauts provoqués par des cas de force majeure, une manipulation incorrecte du produit, une utilisation incorrecte ou commerciale de ce dernier ou encore des modifications de quelque nature qu'elles soient.

La garantie ne couvre pas les dégâts résultant d'un montage ou d'une manipulation erronés, d'accidents ou encore du fonctionnement ainsi que des tentatives d'entretien ou de réparation non effectuées par Horizon. Les retours effectués par le fait de l'acheteur directement à Horizon ou à l'une de ses représentations nationales requièrent une confirmation écrite.

### Limitation des dommages

Horizon ne saurait être tenu pour responsable de dommages conséquents directs ou indirects, de pertes de revenus ou de pertes commerciales, liés de quelque manière que ce soit au produit et ce, indépendamment du fait qu'un recours puisse être formulé en relation avec un contrat, la garantie ou l'obligation de garantie. Par ailleurs, Horizon n'acceptera pas de recours issus d'un cas de garantie lorsque ces recours dépassent la valeur unitaire du produit. Horizon n'exerce aucune influence sur le montage, l'utilisation ou la maintenance du produit ou sur d'éventuelles combinaisons de produits choisies par l'acheteur. Horizon ne prend en compte aucune garantie et n'accepte aucun recours pour les blessures ou les dommages pouvant en résulter. Horizon Hobby ne saurait être tenu responsable d'une utilisation ne respectant pas les lois, les règles ou réglementations en vigueur.

En utilisant et en montant le produit, l'acheteur accepte sans restriction ni réserve toutes les dispositions relatives à la garantie figurant dans le présent document. Si vous n'êtes pas prêt, en tant qu'acheteur, à accepter ces dispositions en relation avec l'utilisation du produit, nous vous demandons de restituer au vendeur le produit complet, non utilisé et dans son emballage d'origine.

### Indications relatives à la sécurité

Ceci est un produit de loisirs perfectionné et non un jouet. Il doit être utilisé avec précaution et bon sens et nécessite quelques aptitudes mécaniques ainsi que mentales. L'incapacité à utiliser le produit de manière sûre et raisonnable peut provoquer des blessures et des dégâts matériels conséquents. Ce produit n'est pas destiné à être utilisé par des enfants sans la surveillance par un tuteur. La notice d'utilisation contient des indications relatives à la sécurité ainsi que des indications concernant la maintenance et le fonctionnement du produit. Il est absolument indispensable de lire et de comprendre ces indications avant la première mise en service. C'est uniquement ainsi qu'il sera possible d'éviter une manipulation erronée et des accidents entraînant des blessures et des dégâts. Horizon Hobby ne saurait être tenu responsable d'une utilisation ne respectant pas les lois, les règles ou réglementations en vigueur.

## Questions, assistance et réparations

Votre revendeur spécialisé local et le point de vente ne peuvent effectuer une estimation d'éligibilité à l'application de la garantie sans avoir consulté Horizon. Cela vaut également pour les réparations sous garantie. Vous voudrez bien, dans un tel cas, contacter le revendeur qui conviendra avec Horizon d'une décision appropriée, destinée à vous aider le plus rapidement possible.

### Maintenance et réparation

Si votre produit doit faire l'objet d'une maintenance ou d'une réparation, adressez-vous soit à votre revendeur spécialisé, soit directement à Horizon. Emballez le produit soigneusement. Veuillez noter que le carton d'emballage d'origine ne suffit pas, en règle générale, à protéger le produit des dégâts pouvant survenir pendant le transport. Faites appel à un service de messagerie proposant une fonction de suivi et une assurance, puisque Horizon ne prend aucune responsabilité pour l'expédition du produit jusqu'à sa réception acceptée. Veuillez joindre une preuve d'achat, une description détaillée des défauts ainsi qu'une liste de tous les éléments distincts envoyés. Nous avons de plus besoin d'une adresse complète, d'un numéro de téléphone (pour demander des renseignements) et d'une adresse de courriel.

### Garantie et réparations

Les demandes en garantie seront uniquement traitées en présence d'une preuve d'achat originale émanant d'un revendeur spécialisé agréé, sur laquelle figurent le nom de l'acheteur ainsi que la date d'achat. Si le cas de garantie est confirmé, le produit sera réparé. Cette décision relève uniquement d'Horizon Hobby.

### Réparations payantes

En cas de réparation payante, nous établissons un devis que nous transmettons à votre revendeur. La réparation sera seulement effectuée après que nous ayons reçu la confirmation du revendeur. Le prix de la réparation devra être acquitté au revendeur. Pour les réparations payantes, nous facturons au minimum 30 minutes de travail en atelier ainsi que les frais de réexpédition. En l'absence d'un accord pour la réparation dans un délai de 90 jours, nous nous réservons la possibilité de détruire le produit ou de l'utiliser autrement.

**ATTENTION: Nous n'effectuons de réparations payantes que pour les composants électroniques et les moteurs. Les réparations touchant à la mécanique, en particulier celles des hélicoptères et des voitures radiocommandées, sont extrêmement coûteuses et doivent par conséquent être effectuées par l'acheteur lui-même. 10/15**

## IC INFORMATION

### CAN ICES-3 (B)/NMB-3(B)

**IC: 6157A-MR210, 6157A-DIDH1100C**

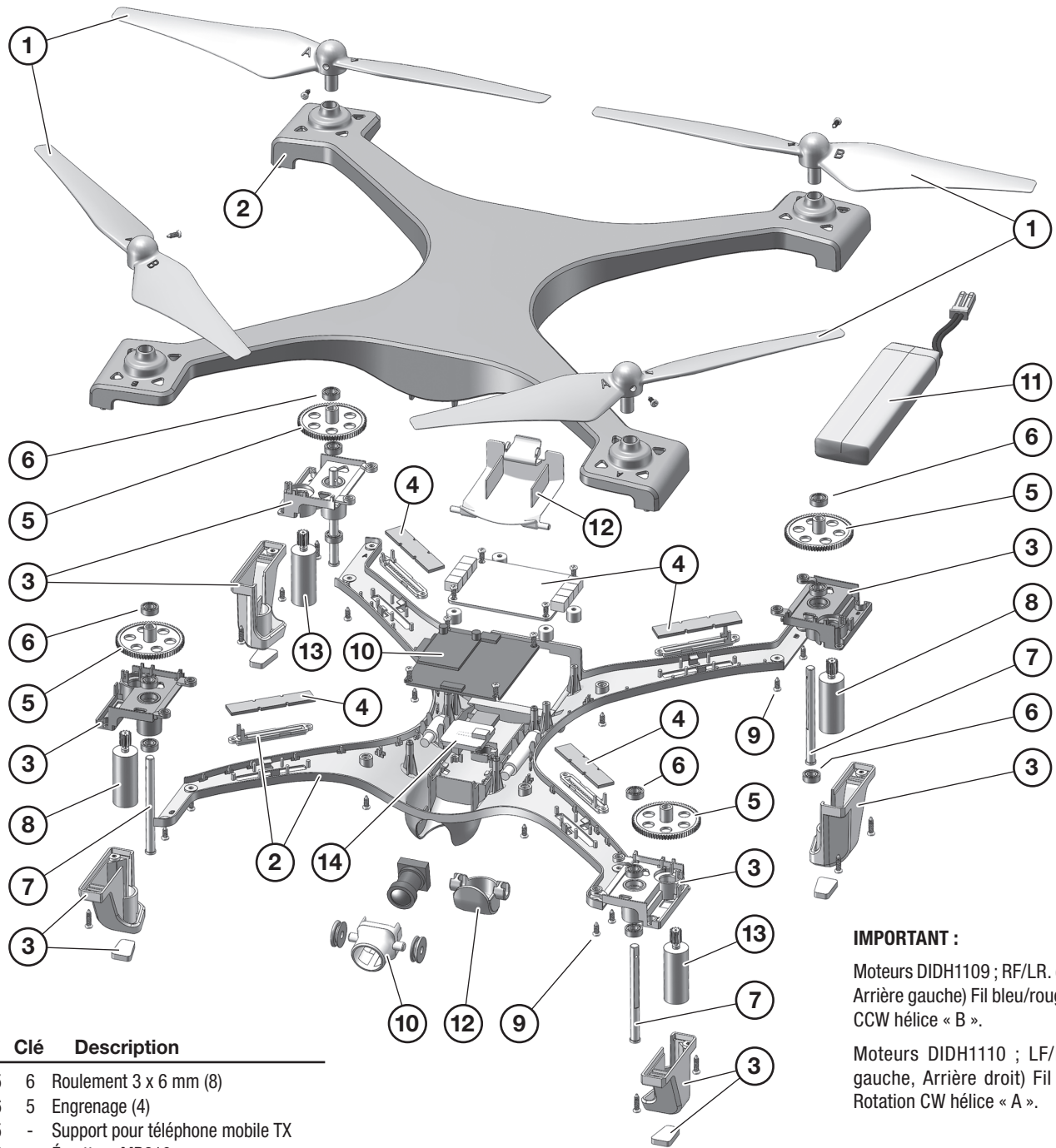
Le présent appareil est conforme aux CNR d'Industrie Canada applicables aux appareils radio exempts de licence. L'exploitation est autorisée aux deux conditions suivantes :

- (1) l'appareil ne doit pas produire de brouillage, et (2) l'utilisateur de l'appareil doit accepter tout brouillage radioélectrique subi, même si le brouillage est susceptible d'en compromettre le fonctionnement.

# COORDONNÉES DE GARANTIE ET RÉPARATIONS

Pays d'achat	Horizon Hobby	Numéro de téléphone/E-mail	Adresse
Union européenne	Horizon Technischer Service	service@horizonhobby.de	Hanskampring 9 D 22885 Barsbüttel, Germany
	Sales: Horizon Hobby GmbH	+49 (0) 4121 2655 100	

## PIÈCES DE RECHANGE



### IMPORTANT :

Moteurs DIDH1109 ; RF/LR. (Avant droit, Arrière gauche) Fil bleu/rouge. Rotation CCW hélice « B ».

Moteurs DIDH1110 ; LF/RR. (Avant gauche, Arrière droit) Fil noir/blanc. Rotation CW hélice « A ».

Pièce	Clé	Description
DIDE1175	6	Roulement 3 x 6 mm (8)
DIDE1176	5	Engrenage (4)
DIDE1215	-	Support pour téléphone mobile TX
DIDH0210	-	Émetteur MR210
DIDH1101	11	Batterie LiPo 3,7 V 900 mAh 1S 30C avec prise JST
DIDH1102	4	Panneau de commande principale
DIDH1103	7	Arbre d'hélice (4)
DIDH1104	9	Jeu de vis
DIDH1105	3	Nacelle de moteur, Gauche/Droit
DIDH1106	12	Trappe de batterie, capot de caméra UAV
DIDH1107	2	Châssis supérieur et inférieur

Pièce	Clé	Description
DIDH1108	10	Caméra 1080P Wi-Fi 5G
DIDH1109	8	Moteur (CCW) avec pignon (2)
DIDH1110	13	Moteur (CW) avec pignon (2)
DIDH1111	14	Panneau de flux optique avec capteur
DIDH1112	1	Ensemble hélices (blanc/noir, 2ea)
DIDP1121	-	Chargeur USB

Optionnel
DIDZ1558 Lunettes FPV
DIDE1277 Ensemble hélices (rouge/noir, 2ea)
DYNC2030 Chargeur 50W Prophet Sport Mini
DYNC0032 Câble du chargeur avec prise JST femelle

[www.dromida.com/support](http://www.dromida.com/support)

# DROMIDA

[www.dromida.com](http://www.dromida.com)