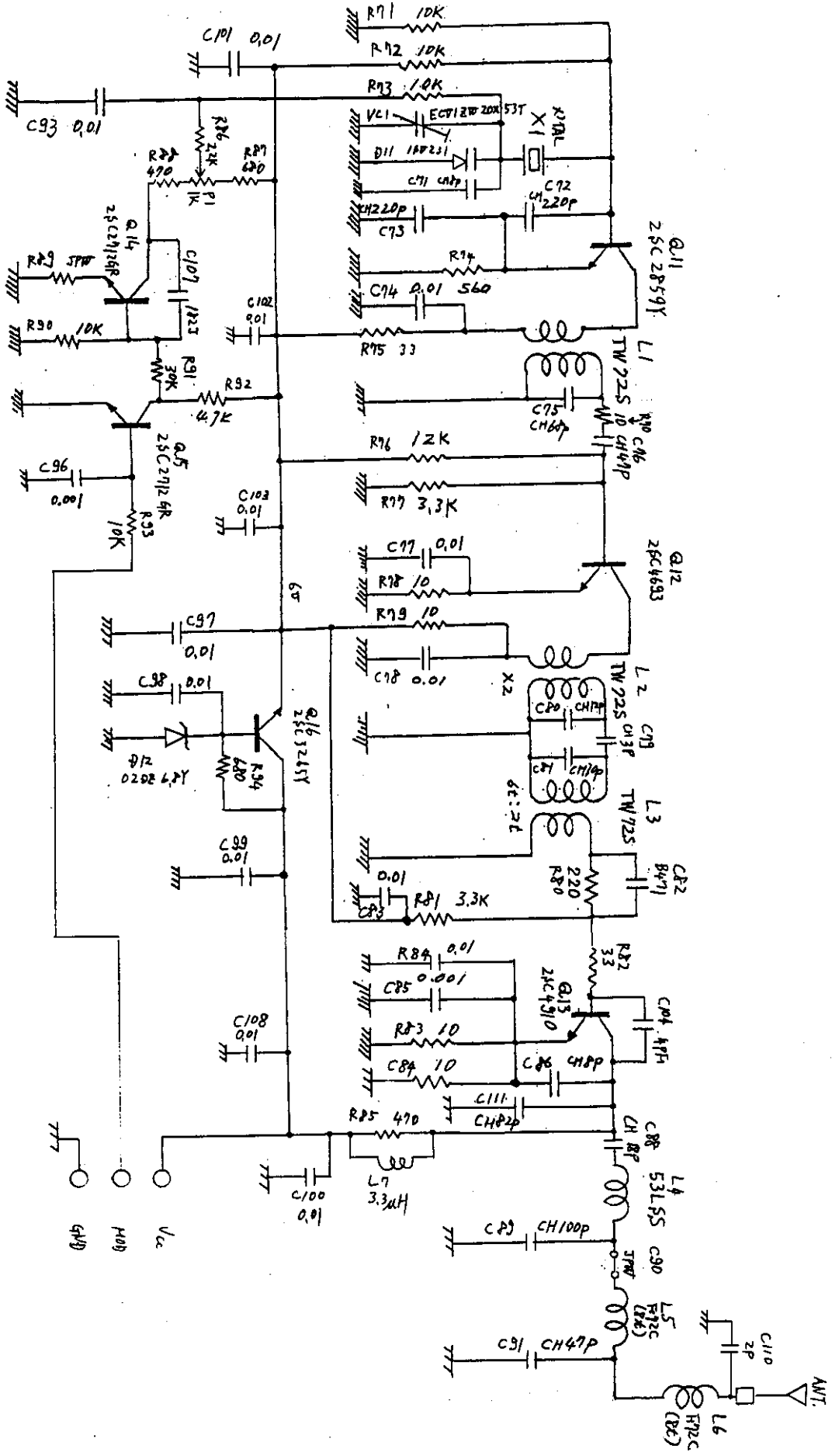


FCC ID# BRWF400EX Figure 4.2.1 Transmitter Schematic Diagram

R99 ~ R30
 C91 ~ C10
 Q4 ~ Q6
 D11 ~ D12
 P1
 VC1
 L1 ~ L9
 D11 ~ D12



FCC ID# BRWF400EX Figure 4.2.2 Transmitter Schematic Diagram