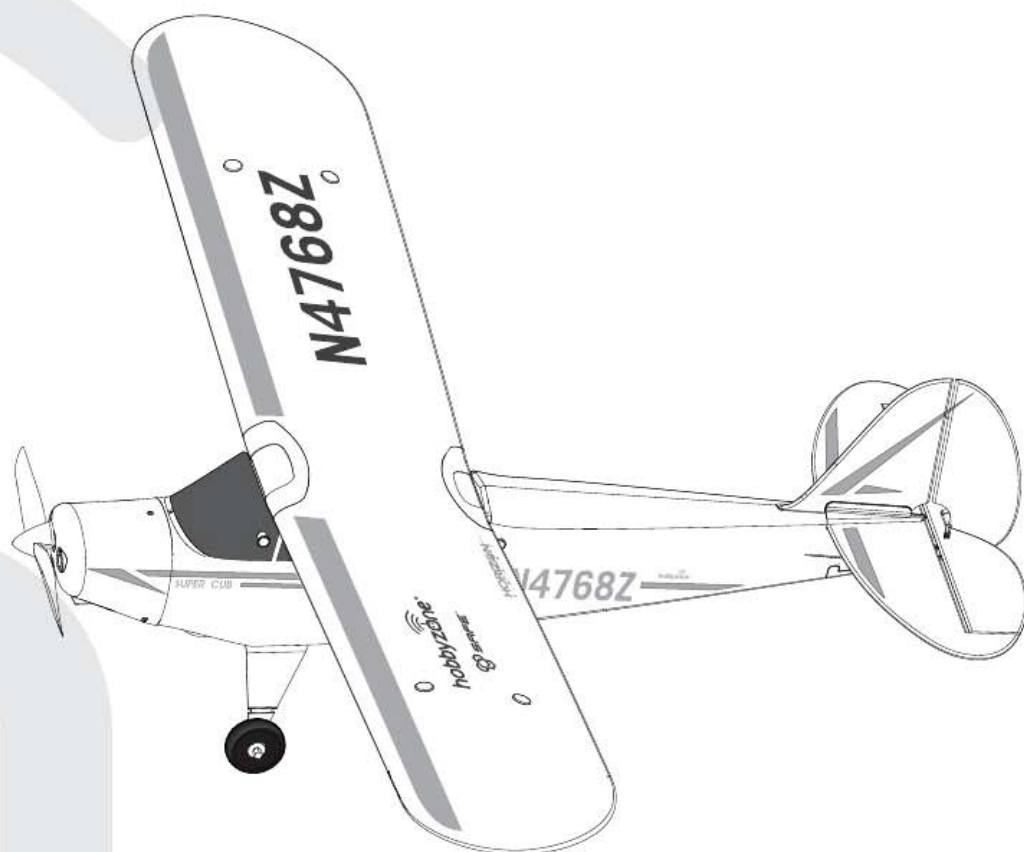


Super Cub S

Instruction Manual • Bedienungsanleitung • Manuel d'utilisation • Manuale di Istruzioni



RTF
READY-TO-FLY

BNF
Bind-N-Fly.® Ready to fly, redefined.

hobbyzone®

NOTICE

All instructions, warranties and other collateral documents are subject to change at the sole discretion of Horizon Hobby, LLC. For up-to-date product literature, visit www.horizonhobby.com and click on the support tab for this product.


Meaning of Special Language:

The following terms are used throughout the product literature to indicate various levels of potential harm when operating this product:

NOTICE: Procedures, which if not properly followed, create a possibility of physical property damage AND little or no possibility of injury.


CAUTION: Procedures, which if not properly followed, create the probability of physical property damage AND a possibility of serious injury.

WARNING: Procedures, which if not properly followed, create the probability of property damage, collateral damage, and serious injury OR create a high probability of superficial injury.

 **WARNING:** Read the ENTIRE instruction manual to become familiar with the features of the product before operating. Failure to operate the product correctly can result in damage to the product, personal property and cause serious injury.

This is a sophisticated hobby product. It must be operated with caution and common sense and requires some basic mechanical ability. Failure to operate this Product in a safe and responsible manner could result in injury or damage to the product or other property. This product is not intended for use by children without direct adult supervision. Do not use with incompatible components or alter this product in any way outside of the instructions provided by Horizon Hobby, LLC. This manual contains instructions for safety, operation and maintenance. It is essential to read and follow all the instructions and warnings in the manual, prior to assembly, setup or use, in order to operate correctly and avoid damage or serious injury.

Age Recommendation: Not for children under 14 years. This is not a toy.

 **WARNING AGAINST COUNTERFEIT PRODUCTS:** If you ever need to replace your Spektrum product found in a Horizon Hobby product, always purchase from Horizon Hobby, LLC. or a Horizon Hobby authorized dealer to ensure authentic high-quality Spektrum product. Horizon Hobby, LLC. disclaims all support and warranty with regards, but not limited to, compatibility and performance of counterfeit products or products claiming compatibility with DSM or Spektrum.


Safety Precautions and Warnings

As the user of this product, you are solely responsible for operating in a manner that does not endanger yourself and others or result in damage to the product or the property of others.

- Always keep a safe distance in all directions around your model to avoid collisions or injury. This model is controlled by a radio signal subject to interference from many sources outside your control. Interference can cause momentary loss of control.
- Always operate your model in open spaces away from full-size vehicles, traffic and people.
- Always carefully follow the directions and warnings for this and any optional support equipment (chargers, rechargeable battery packs, etc.).
- Always keep all chemicals, small parts and anything electrical out of the reach of children.

- Always avoid water exposure to all equipment not specifically designed and protected for this purpose. Moisture causes damage to electronics.
- Never place any portion of the model in your mouth as it could cause serious injury or even death.
- Never operate your model with low transmitter batteries.
- Always keep aircraft in sight and under control.
- Always use fully charged batteries.
- Always keep transmitter powered on while aircraft is powered.
- Always remove batteries before disassembly.
- Always keep moving parts clean.
- Always keep parts dry.
- Always let parts cool after use before touching.
- Always remove batteries after use.
- Always ensure failsafe is properly set before flying.
- Never operate aircraft with damaged wiring.
- Never touch moving parts.

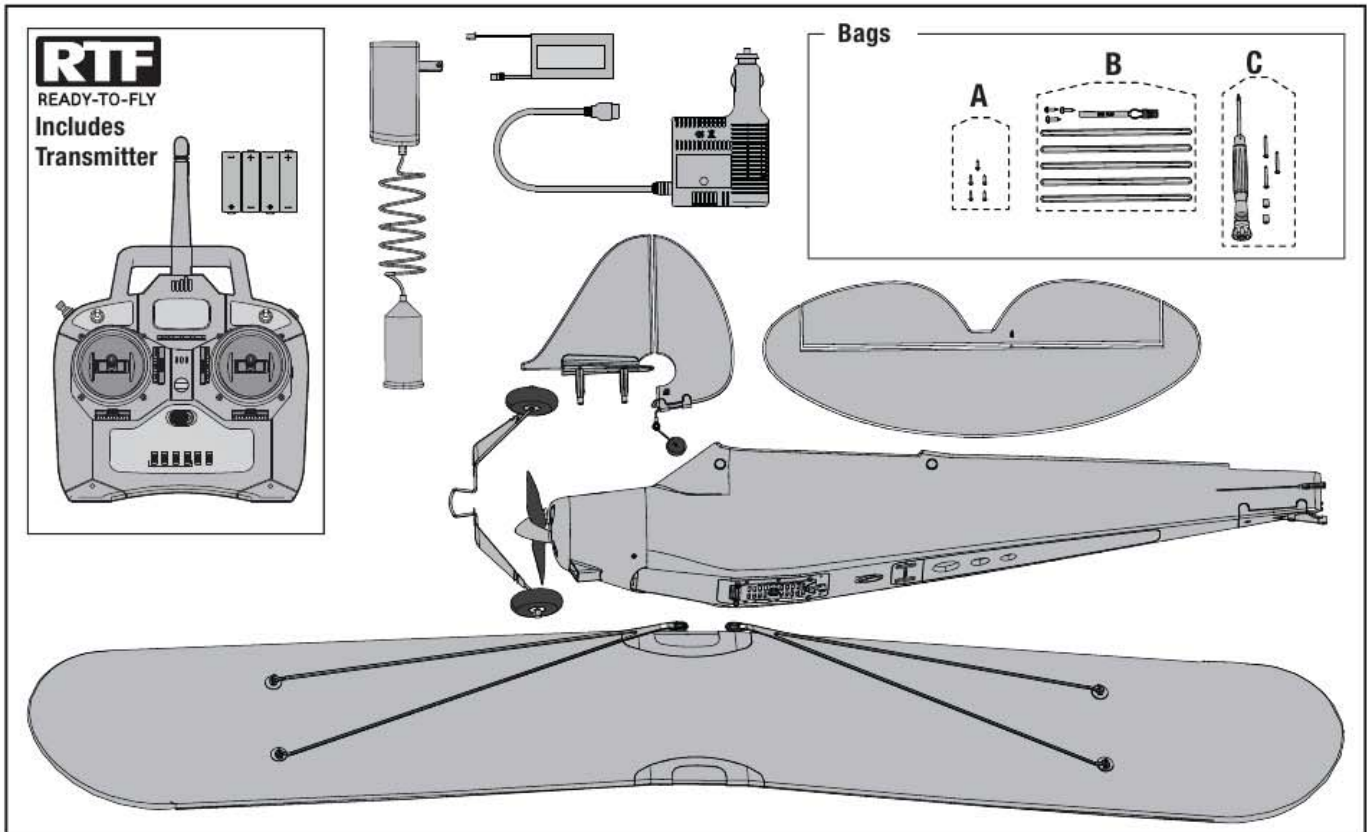
Charging Warnings

 **CAUTION:** All instructions and warnings must be followed exactly. Mishandling of Li-Po batteries can result in a fire, personal injury, and/or property damage.

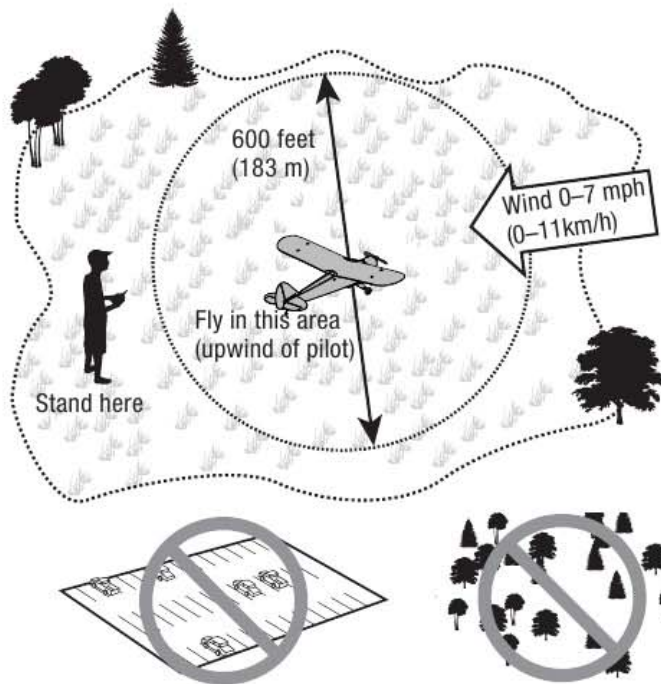
- By handling, charging or using the included Li-Po battery, you assume all risks associated with lithium batteries.
- If at any time the battery begins to balloon or swell, discontinue use immediately. If charging or discharging, discontinue and disconnect. Continuing to use, charge or discharge a battery that is ballooning or swelling can result in fire.
- Always store the battery at room temperature in a dry area for best results.
- Always transport or temporarily store the battery in a temperature range of 40–120° F (5–49° C). Do not store battery or aircraft in a car or direct sunlight. If stored in a hot car, the battery can be damaged or even catch fire.
- Always charge batteries away from flammable materials.

- Always inspect the battery before charging and never charge dead or damaged batteries.
- Always disconnect the battery after charging, and let the charger cool between charges.
- Always constantly monitor the temperature of the battery pack while charging.
- ONLY USE A CHARGER SPECIFICALLY DESIGNED TO CHARGE LI-PO BATTERIES. Failure to charge the battery with a compatible charger may cause fire resulting in personal injury and/or property damage.
- Never discharge Li-Po cells to below 3V under load.
- Never cover warning labels with hook and loop strips.
- Never leave charging batteries unattended.
- Never charge batteries outside recommended levels.
- Never attempt to dismantle or alter the charger.
- Never allow minors under the age of 14 to charge battery packs.
- Never charge batteries in extremely hot or cold places (recommended between 40–120° F or 5–49° C) or place in direct sunlight.

Included in the Box



For more information and to register your product online, visit www.hobbyzonerc.com



Flying Tips

- Sensor Assisted Flight Envelope (SAFE™) technology is designed as flight assistance, not an autopilot. The pilot is always in control and required to fly the aircraft at all times.
- Start in Beginner mode (SAFE switch position 0). As you learn and become more confident, change modes to advance your flying skills.
- Always keep your aircraft in plain sight and upwind from you.
- Do not attempt your first turn at low altitude. Higher altitudes allow for greater possibility of correction.
- Always make deliberate and steady control stick movements for smooth control of your aircraft.

Preflight Checklist

| Preflight Checklist | ✓ |
|---|---|
| 1. Find a safe and open area. | |
| 2. Charge flight battery. | |
| 3. Install flight battery in aircraft. | |
| 4. Perform Control Direction Test. | |
| 5. Plan flight for flying field conditions. | |
| 6. Have fun! | |

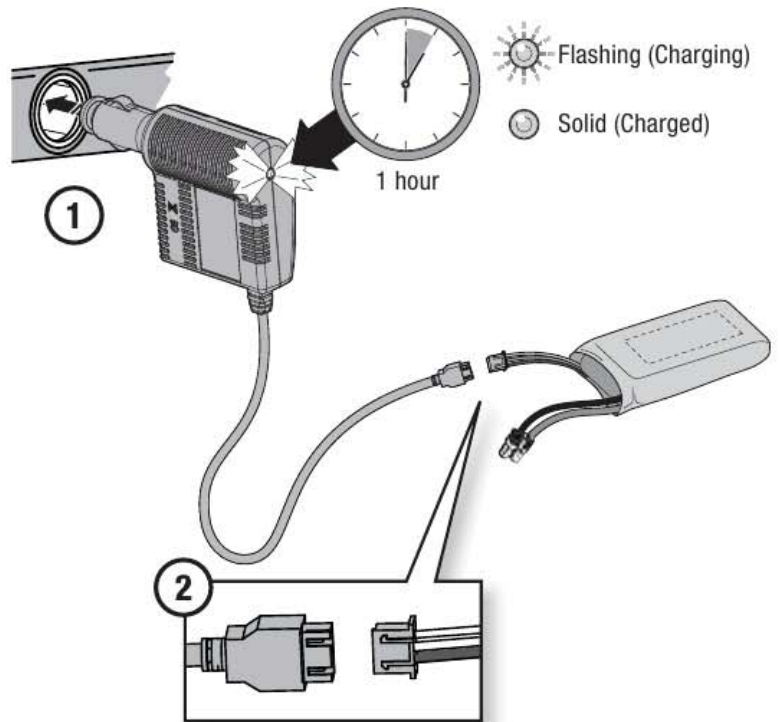
Charging the Flight Battery

CAUTION: When connecting the battery to the battery charger, make sure the connectors are aligned as shown. Failure to connect the battery properly could cause the terminals to short and result in fire, personal injury and/or property damage.

Charger Specifications

- Input power: 10–14V
- Max output voltage: 11.1V
- Fixed charge current: 1.3A
- Balances and charges 3S Li-Po cells with a minimum capacity of 1250mAh

This charger may be connected to the AC adapter (included with your model).



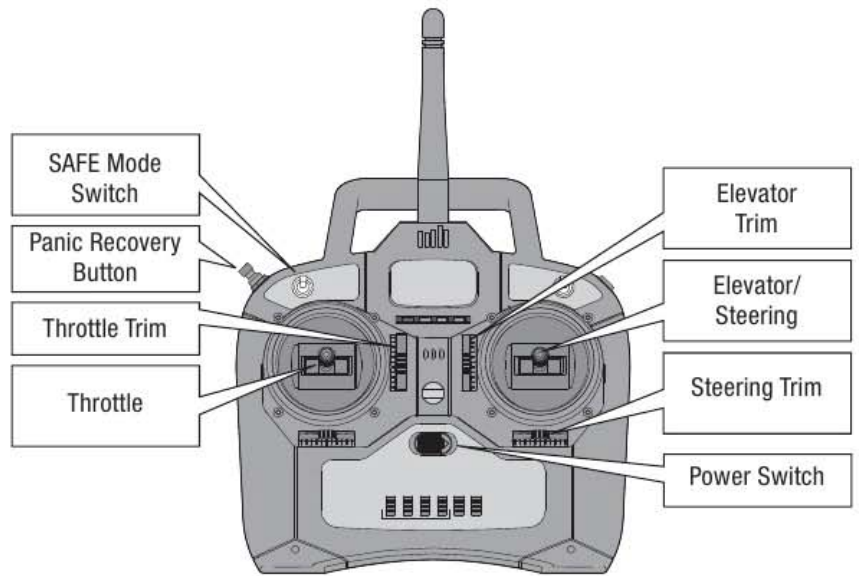
DX4e Transmitter

Remove the battery cover, install the four included batteries (noting proper polarity) and reinstall the battery cover.



Low Battery Alarm

When the battery voltage drops below 4.7 volts, an alarm sounds and the voltage LEDs flash. The batteries must be replaced immediately. If this happens while flying, land your aircraft as soon and as safely as possible.



Mode 2 shown

WARNING: Do not pick up the transmitter by the antenna. Do not alter or put weight on the antenna. Damage to antenna parts can decrease transmitter signal strength, which can result in loss of model control, injury or property damage.

For more information on the transmitter, go to www.horizonhobby.com/products/SPMR4400 and click on the support tab for the Spektrum DX4e to download the instruction manual.

Transmitter Binding

RTF
READY-TO-FLY

The included RTF transmitter should be bound to the aircraft at the factory, but if you need to re-bind, follow the binding procedure as shown.

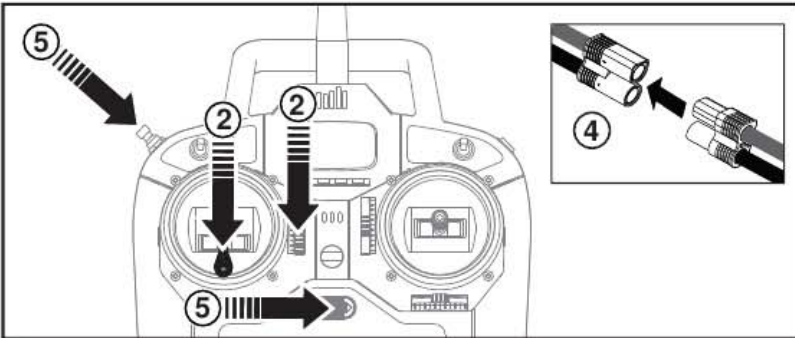
BNF

You need to 'bind' your chosen Spektrum™ DSM2®/DSMX® technology equipped aircraft transmitter to the receiver for proper operation. Please refer to the optional parts list in this manual or visit www.bindnfly.com for a list of compatible transmitters.

✓ Binding Procedure Reference Table

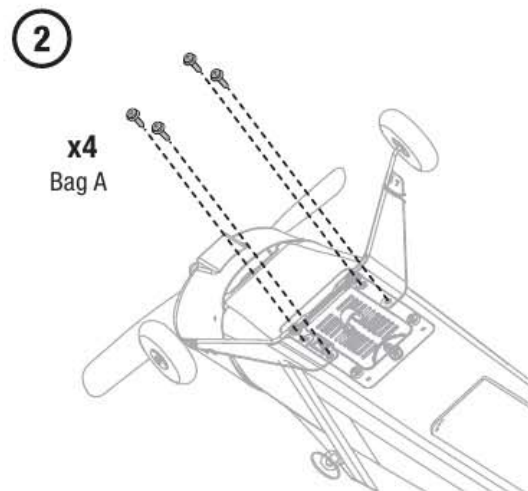
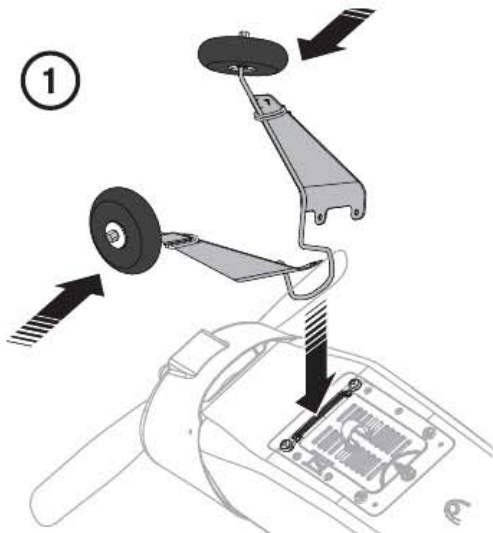
| | | |
|----|---|--|
| 1. | Make sure the transmitter is powered off. | |
| 2. | Make sure the transmitter controls are neutral, the throttle and throttle trim are in the lowest position, and the aircraft is immobile. | |
| 3. | Install bind plug in the receiver bind port. | |
| 4. | Connect the flight battery in the aircraft. The receiver LED will begin to flash. | |
| 5. | Power on the transmitter while holding the transmitter bind button. | |
| 6. | When the receiver binds to the transmitter, the light on the receiver will turn solid. The motor will arm with throttle and throttle trim at the lowest position. | |
| 7. | Release the Bind button and remove the bind plug from the receiver. | |
| 8. | Disconnect the flight battery from the aircraft, then power off the transmitter. | |

The receiver should retain the binding instructions received from the transmitter until another binding is done.



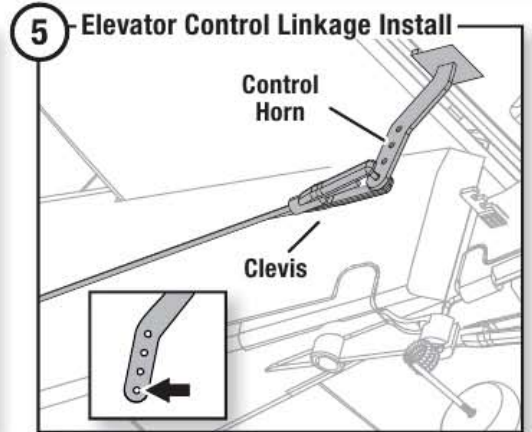
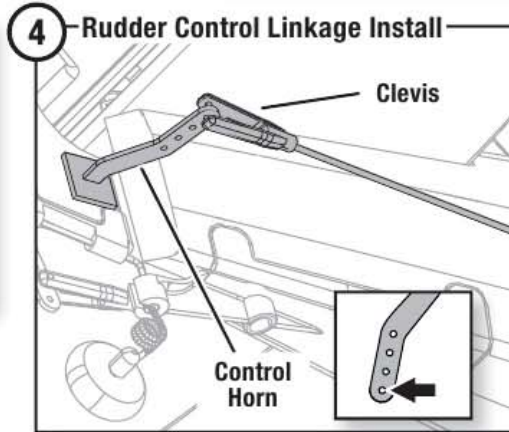
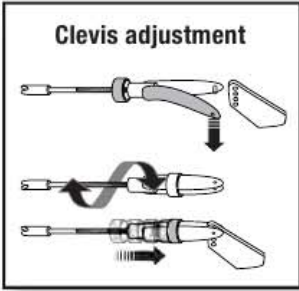
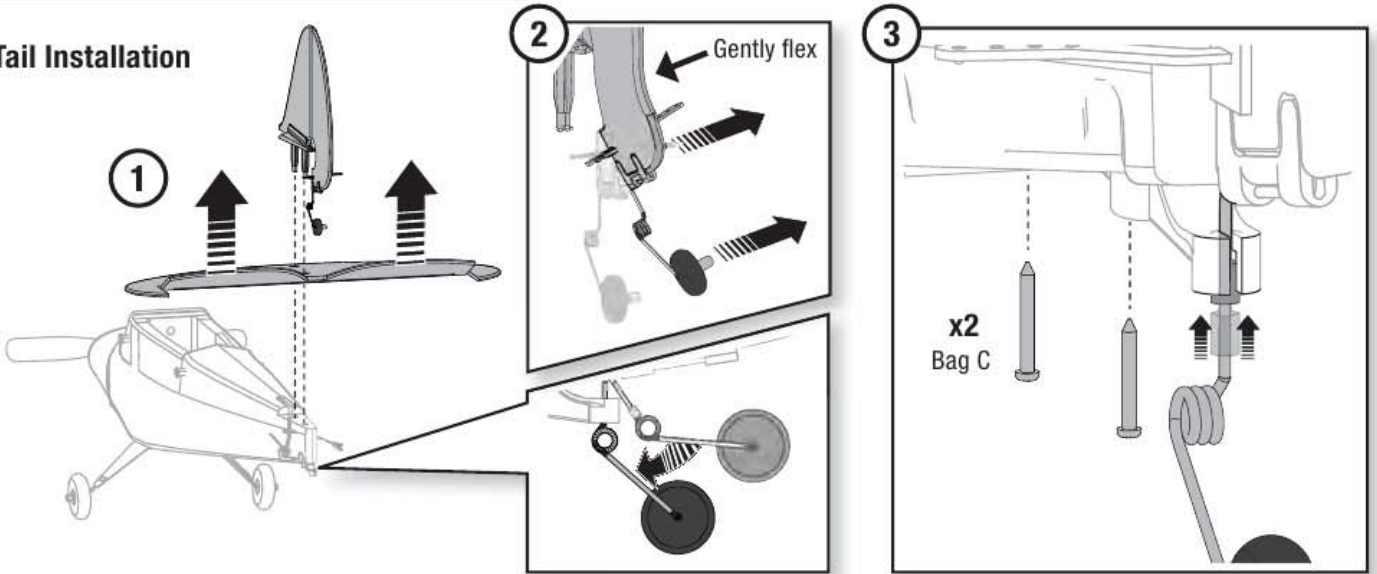
Assembly

Landing Gear Installation

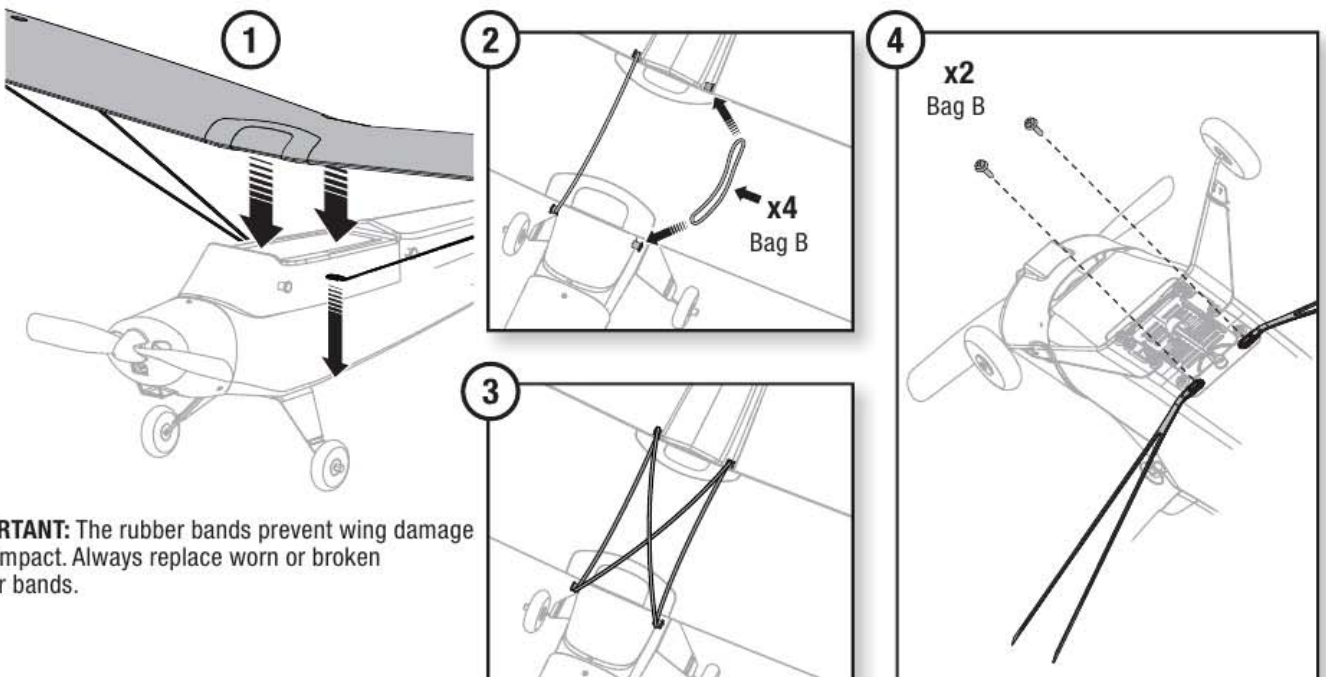


Assembly continued

Tail Installation

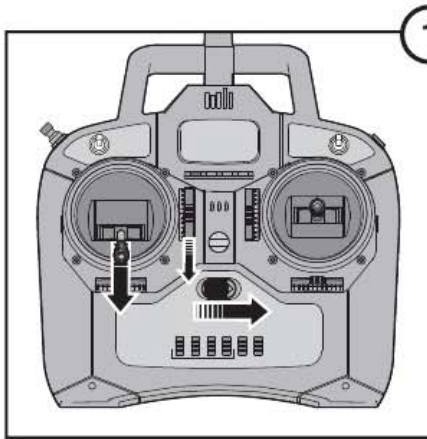


Wing Installation



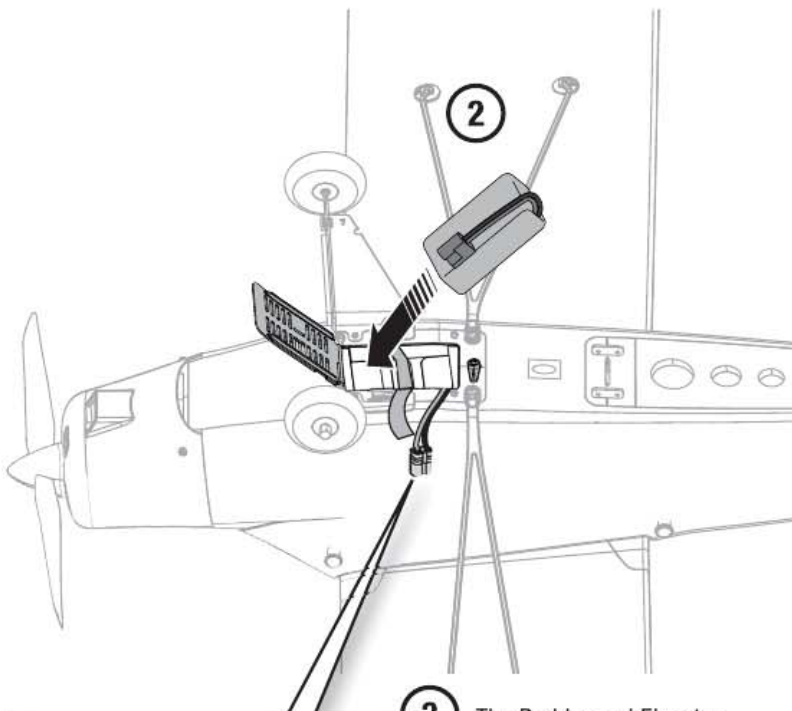
IMPORTANT: The rubber bands prevent wing damage from impact. Always replace worn or broken rubber bands.

Installing the Flight Battery

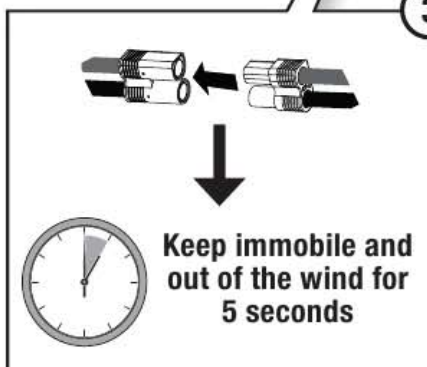


1 Lower the throttle and throttle trim, then power on the transmitter for at least 5 seconds.

CAUTION: Always disconnect the Li-Po flight battery from the aircraft receiver when not flying to avoid over-discharging the battery. Batteries discharged to a voltage lower than the lowest approved voltage may become damaged, resulting in loss of performance and potential fire when batteries are charged.



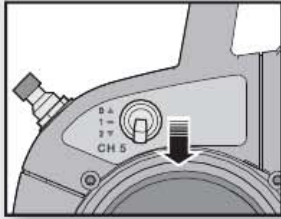
3 The Rudder and Elevator will move, then return to center when the aircraft is ready to fly.



The aircraft can be held immobile for 5 seconds at any angle convenient for you to connect the battery.

Control Direction Test

Perform the Control Direction Test with the transmitter SAFE flight mode switch set to **Experienced** mode (position 2).



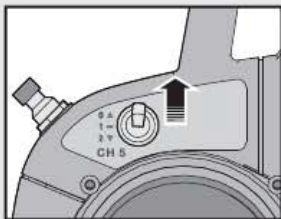
Experienced SAFE Flight Mode

Restrain the aircraft so it does not escape your control while you are testing your transmitter controls.

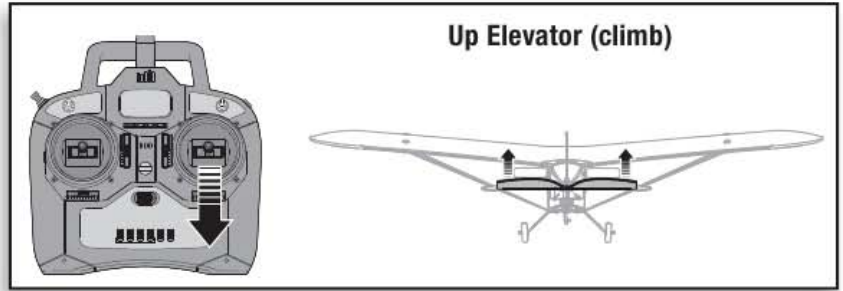
Move the sticks on the transmitter* to ensure the aircraft responds as shown.

If your model does not respond as shown, DO NOT FLY! Refer to the Troubleshooting Guide in this manual for more information. If you need more assistance, contact the appropriate Horizon Hobby Product Support department.

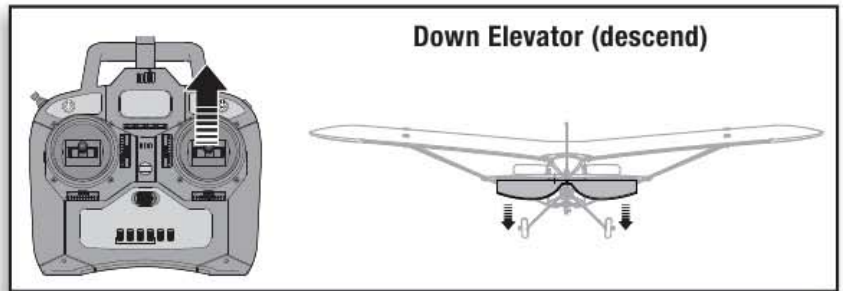
If the aircraft responds as shown, move the SAFE flight mode switch to **Beginner** mode (position 0) to prepare to fly.



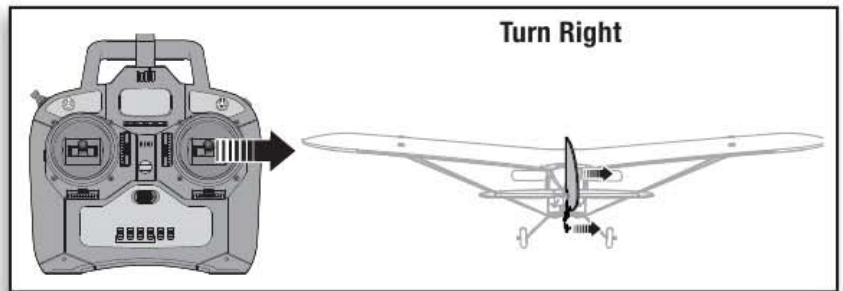
Beginner SAFE Flight Mode



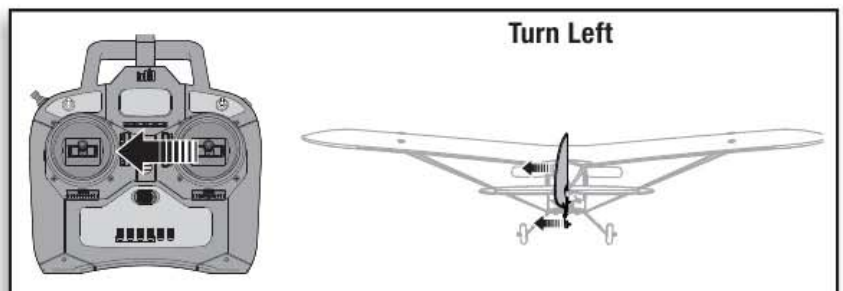
Up Elevator (climb)



Down Elevator (descend)



Turn Right



Turn Left

* Mode 2 transmitter shown. For Mode 1, Elevator control is on the LEFT stick.

Trimming

If your aircraft does not fly straight and level at half throttle with the steering stick at center, switch to Intermediate or Experienced mode, then fly into the wind and move the trim sliders.

If you move a trim slider more than 8 clicks in one direction, land and adjust the clevis. Observe the rudder or elevator surface while the trim slider is off center. Center the slider. Disconnect the clevis, then adjust and connect it again so the surface is in the position you observed. Perform test flights as needed.

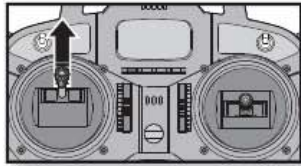
| | Aircraft drift | Required Trim |
|----------|----------------|---------------|
| Elevator | | |
| | | |

| | Aircraft drift | Required Trim |
|--------|----------------|---------------|
| Rudder | | |
| | | |

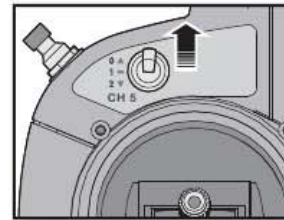
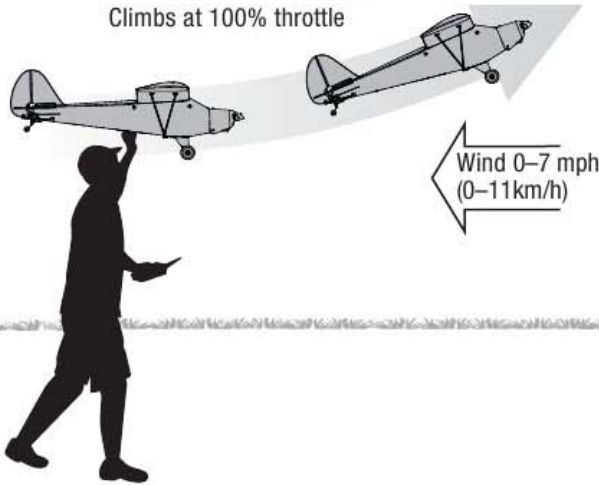
Takeoff

Hand Launch

Hand launch in Beginner mode for first flights. Get help to hand launch your aircraft so you can concentrate on flying. If you must hand launch the aircraft alone, hold the model in your dominant hand and the transmitter in your other hand. An optional neck strap (SPMP610, sold separately) can help you hold the transmitter.



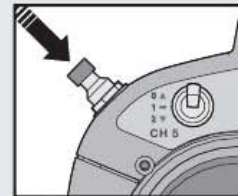
Climbs at 100% throttle



Beginner Mode
(SAFE Switch Position 0)

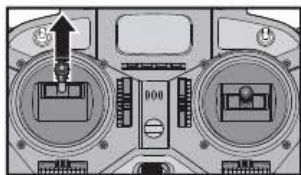
Easy Launching

Launching is easier in Beginner mode if you hold the Panic Recovery button. Press and hold the button, then increase the throttle to 100%. Launch the aircraft. When the aircraft is up where you want to fly, release the button and decrease the throttle to 50–60%.

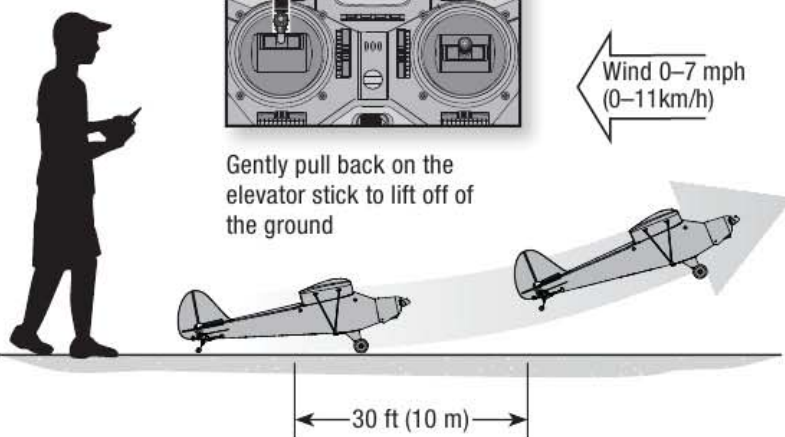


Ground Launch

Use the Beginner mode for takeoff in first flights. If the ground is not hard and level, get help to hand launch your aircraft.



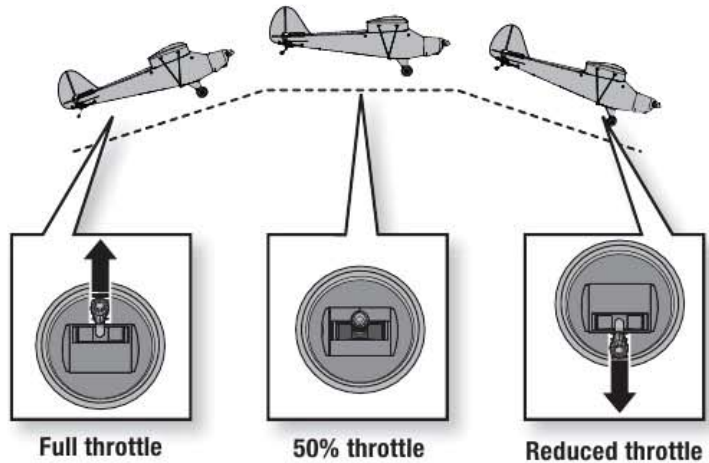
Gently pull back on the elevator stick to lift off of the ground



Flying

In Beginner mode, when properly trimmed, your aircraft will climb at full throttle without use of the elevator stick.

- The aircraft flies 7 minutes or more on a battery charge, using proper throttle management.
- If the motor pulses, land the aircraft immediately and recharge the flight battery.
- Make small and steady control stick movements for smooth control of your aircraft.
- Let the aircraft climb at full throttle, into the wind, until the aircraft gets about 150 feet (46 meters) above the ground, then decrease the throttle to half (50%).
- Flying with the nose pointed toward you is one of the hardest things to do when learning to fly. To practice piloting the aircraft, try flying in large circles high off the ground.



SAFE™ Technology Flight Modes

Beginner Mode:

Pitch (nose up and down) and Roll (wing tips up and down) angles are limited to help you keep the aircraft airborne.

Self-leveling

Intermediate Mode:

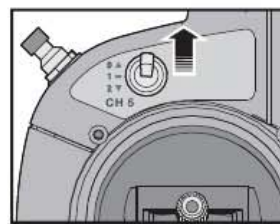
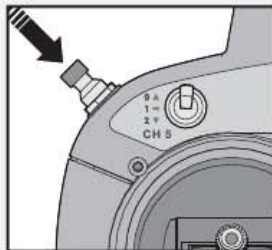
The pilot is only prevented from entering extreme flight conditions.

Experienced Mode:

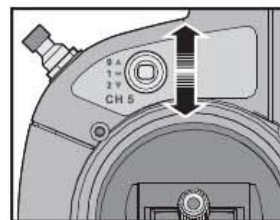
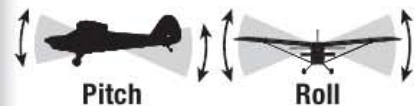
Unlimited Flight Envelope

Panic Recovery Mode

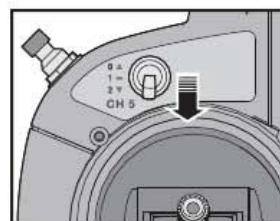
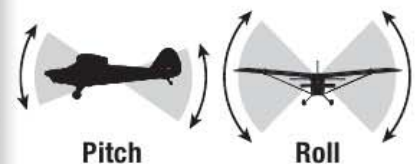
If you feel you have lost control in any mode, hold the Panic Recovery button. The SAFE technology will return the aircraft to a stable attitude (wings level with a slight climb). Always fly at a safe altitude, as Panic Recovery may cause the aircraft to lose some altitude when leveling the wings. Release the Panic Recovery button to turn off Panic mode and return to the current SAFE flight mode.



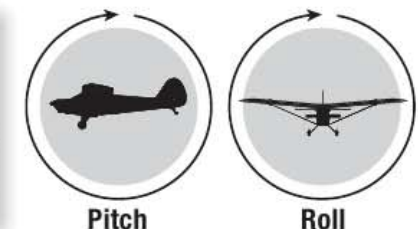
Beginner Mode
(Switch Position 0)



Intermediate Mode
(Switch Position 1)



Experienced Mode
(Switch Position 2)



NOTICE: If the aircraft is upside down when the Panic Recovery button is pressed, sufficient altitude is required for the aircraft to return to straight and level flight.

Setup for Optional Transmitters



| Non Computerized Transmitter Setup (DX4e and DX5e) | | | |
|---|------------------|-----------------------|-----------------------------|
| Transmitter | SAFE mode switch | Panic Recovery Switch | SAFE Flight Modes Supported |
| Throttle, Aileron, Elevator and Rudder in Normal Position | | | |
| DX4e (2pos switch) | ACT/AUX switch | Trainer Button | 2 Pos Flight Mode |
| DX4e (3pos switch) | CH 5 switch | Trainer Button | 3 Pos Flight Mode |
| DX5e (2pos switch) | CH 5 switch | Trainer Switch | 2 Pos Flight Mode |
| DX5e (3pos switch) | CH 5 switch | Trainer Switch | 3 Pos Flight Mode |

To operate the SAFE system in this aircraft, set up your optional DSM2/DSMX transmitter using the chart below.

- SAFE Flight mode is selected using Channel 5 signal (high, middle, low)

- Panic Recovery mode is selected with Channel 6 signal (high, low)

IMPORTANT: A transmitter with a 2-position Channel 5 switch will only allow the use of position 0 or position 2 flight modes. If possible (refer to your transmitter manual) assign Channel 5 in your transmitter to a 3-position switch to operate all 3 flight modes.

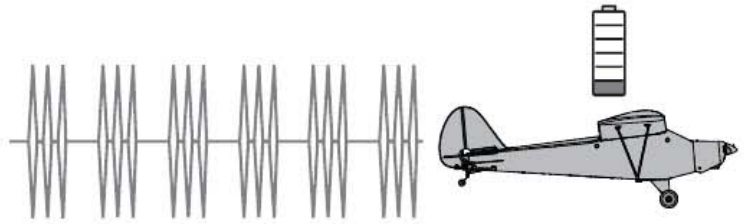
Refer to your transmitter's manual for more information about transmitter setup.

| Computerized Transmitter Setup (DX6i, DX7S, DX8, DX9, DX18 and DX18QQ) | |
|---|---|
| Start all transmitter programming with a blank model (do a model reset), then name the model. | |
| Set Dual Rates to: | HIGH 100% LOW 70% |
| DX6i | 1. Go to the SETUP LIST MENU |
| | 2. Set MODELTYPE: ACRO |
| | 3. Set REVERSE: Gear Channel |
| | 4. Go to ADJUST LIST MENU |
| | 5. Set TRAVEL ADJ: Gear/Fmode (0) ↑ 100%; Gear/Fmode (1) ↓ 40% |
| | 6. Set FLAPS: Norm ↑ 100; LAND ↓ 100 |
| | 7. Set MIX 1: ACT; Gear → Gear ACT, RATE D 0%; U + 100%, SW MIX, TRIM INH |
| Resulting in: | The Gear and Mix switches operate the 3 SAFE modes Gear 0; Mix 0 = Beginner Mode Gear 1; Mix 0 = Intermediate Mode Gear 1; Mix 1 = Advanced Mode The Trainer switch operates Panic Recovery |
| DX7S DX8 | 1. Go to the SYSTEM SETUP |
| | 2. Set MODEL TYPE: AIRPLANE |
| | 3. Set SWITCH SELECT: Change all to INH then GEAR: AUX1, FLAP: GEAR |
| | 4. Go to the FUNCTION LIST |
| | 5. Set SERVO SETUP: Reverse AUX1 |
| Resulting in: | Flap/Gyro Switch operates the 3 SAFE modes (0 beginner/1 intermediate/2 advanced) The Trainer/Bind button operates Panic Recovery |
| DX9 DX18 DX18QQ | 1. Go to the SYSTEM SETUP |
| | 2. Set MODEL TYPE: AIRPLANE |
| | 3. Set CHANNEL ASSIGN: click NEXT to go to Channel Input Config: GEAR: D, AUX1: i |
| | 4. Go to the FUNCTION LIST |
| | 5. Set SERVO SETUP: Reverse AUX1 |
| Resulting in: | Switch D operates the 3 SAFE modes (0 beginner/1 intermediate/2 advanced) The Bind/I button operates Panic Recovery |

Low Voltage Cutoff (LVC)

NOTICE: Repeated flying to when the motor pulses will damage the battery.

For your first flights, set a timer for **7 minutes** to avoid flying until the motor pulses. Adjust your timer for longer or shorter flights once you have flown the aircraft.



- The aircraft protects the flight battery from accidental over-discharge by applying LVC, removing power supplied to the motor.
- LVC causes the motor to pulse, but power remains to steer the aircraft.
- If the motor pulses, land immediately and recharge the flight battery.
- After use, disconnect and remove the battery from the aircraft to prevent trickle discharge.
- If the Li-Po battery is discharged below 3V per cell, it will not hold a charge.

Landing

Land the aircraft in Beginner mode.

CAUTION: Never catch a flying aircraft in your hands. Doing so could cause personal injury and damage to the aircraft.

Easy Landing
Landing is easier if you hold the Panic Recovery button. Line up for your landing, decrease the throttle to 0% and press and hold the Panic Recovery button. The aircraft will glide down wings level with the nose up (flared) for landing.

NOTICE: If a crash is imminent, reduce the throttle. Failure to do so could result in extra damage to the airframe, as well as damage to the receiver and motor.

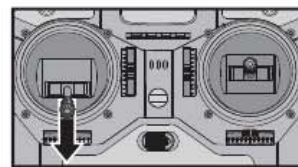
NOTICE: Crash damage is not covered under warranty.

WARNING

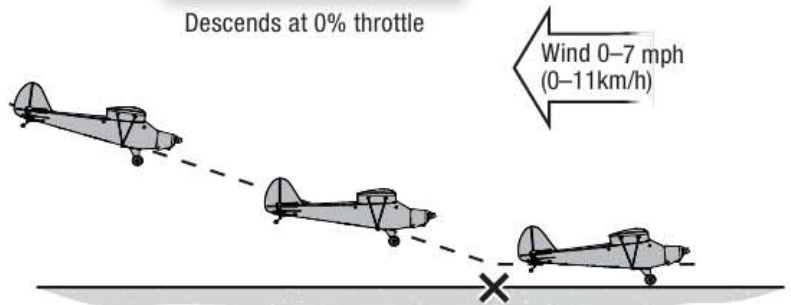
Always decrease throttle at propeller strike.

Prolong Battery Life

- Before storage, charge your battery to about half capacity. Capacity decreases with use and age.
- During storage, ensure the charge does not fall below 3V per cell.



Descends at 0% throttle



Post Flight

NOTICE: When you are finished flying, never leave the aircraft in direct sunlight or in a hot, enclosed area such as a car. Doing so can damage the foam.

Post Flight Checklist

| Post Flight Checklist | ✓ |
|---|---|
| 1. Disconnect flight battery from the aircraft. (Required for Safety) | |
| 2. Remove flight battery from the aircraft. | |
| 3. Power off transmitter. | |
| 4. Recharge flight battery. | |
| 5. Repair or replace all damaged parts. | |
| 6. Store flight battery apart from the aircraft and monitor the battery charge. | |
| 7. Make note of flight conditions and flight plan results, planning for future flights. | |

Troubleshooting Guide

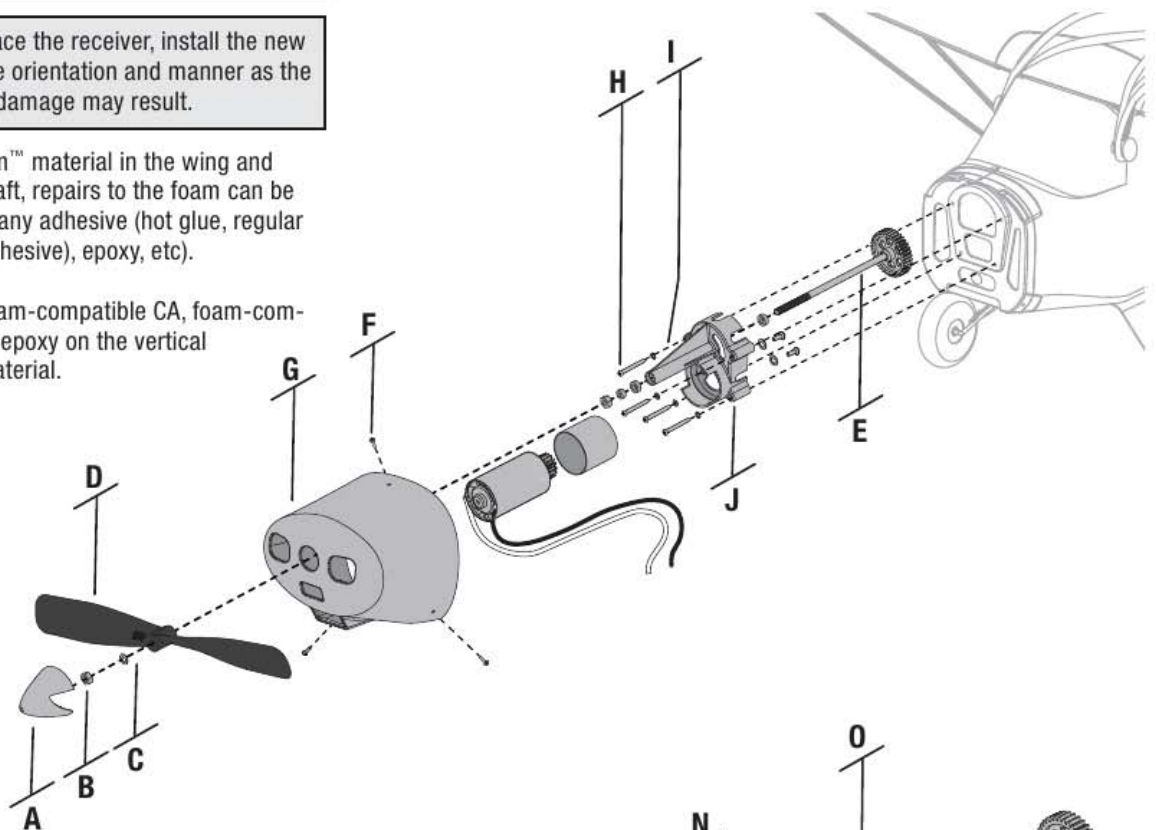
| Problem | Possible Cause | Solution |
|--|--|--|
| Aircraft oscillates | Damaged propeller or spinner | Replace propeller or spinner |
| | Loose or damaged spinner, propeller, motor or gear box parts | Replace parts or correctly align all parts and tighten fasteners as needed |
| | Loose receiver | Align and secure receiver in fuselage |
| | Loose aircraft controls | Tighten or otherwise secure parts (servo, arm, linkage, horn and control surface) |
| | Worn parts | Replace worn parts (especially propeller, spinner or servo) |
| Trim is at extreme and aircraft does not fly straight or level | Trim is not at neutral | If you need to adjust trim more than 8 clicks, return the trim to neutral and manually adjust the clevis to mechanically remove trim |
| Aircraft will not respond to throttle but responds to other controls | Throttle not at lowest position or throttle trim too high | Reset controls with throttle stick and throttle trim at lowest setting |
| | Throttle channel is reversed | Reverse throttle channel on transmitter |
| | Motor disconnected from Receiver/ESC | Make sure motor is connected to the Receiver/ESC |
| Extra propeller noise or extra vibration | Damaged propeller and spinner, shaft or motor | Replace damaged parts |
| | Propeller is out of balance | Balance or replace propeller |
| | Prop nut is too loose | Tighten the prop nut |
| | Spinner is damaged or loose | Repair or replace damaged spinner |
| Reduced flight time or aircraft underpowered | Flight battery charge is low | Completely recharge flight battery |
| | Propeller installed backwards | Install propeller with numbers facing forward |
| | Flight battery damaged | Replace flight battery and follow flight battery instructions |
| | Flight conditions may be too cold | Make sure battery is warm before use |
| Aircraft will not Bind (during binding) to transmitter. Refer to the transmitter manual for binding instructions | Transmitter too near aircraft during binding process | Move powered transmitter a few feet from aircraft, disconnect and reconnect flight battery to aircraft |
| | Aircraft or transmitter is too close to large metal object, wireless source or another transmitter | Move aircraft and transmitter to another location and attempt binding again |
| | Flight battery/transmitter battery charge is too low | Replace/recharge batteries |
| | Bind switch or button not held long enough during bind process | Power off transmitter and repeat bind process. Hold transmitter bind button or switch until receiver is bound |
| Aircraft will not connect (after binding) to transmitter. Refer to the transmitter manual for binding instructions | Transmitter too near aircraft during connecting process | Move powered transmitter a few feet from aircraft, disconnect and reconnect flight battery to aircraft |
| | Aircraft or transmitter is too close to large metal object, wireless source or another transmitter | Move aircraft and transmitter to another location and attempt connecting again |
| | Flight battery/Transmitter battery charge is too low | Replace/recharge batteries |
| | Transmitter may have been bound to a different aircraft using different DSM protocol | Bind aircraft to transmitter |
| Control surface does not move | Control surface, control horn, linkage or servo damage | Replace or repair damaged parts and adjust controls |
| | Wire damaged or connections loose | Do a check of wires and connections, connect or replace as needed |
| | Flight battery charge is low | Fully recharge flight battery |
| | Receiver is damaged | Replace Receiver |
| Controls reversed | Transmitter settings are reversed | Perform the Control Direction Test and adjust the controls on transmitter appropriately |
| Motor power pulses then motor loses power | Normal Low Voltage Cutoff (LVC) | Recharge flight battery or replace battery that is no longer performing |
| | Weather conditions might be too cold | Postpone flight until weather is warmer |
| | Battery is old, worn out, or damaged | Replace battery |
| | Battery C rating might be too small | Use recommended battery |

Service and Repair

NOTICE: If you replace the receiver, install the new receiver in the same orientation and manner as the original receiver or damage may result.

Thanks to the Z-Foam™ material in the wing and fuselage of this aircraft, repairs to the foam can be made using virtually any adhesive (hot glue, regular CA (cyanoacrylate adhesive), epoxy, etc).

However, use only foam-compatible CA, foam-compatible accelerant or epoxy on the vertical and horizontal tail material.

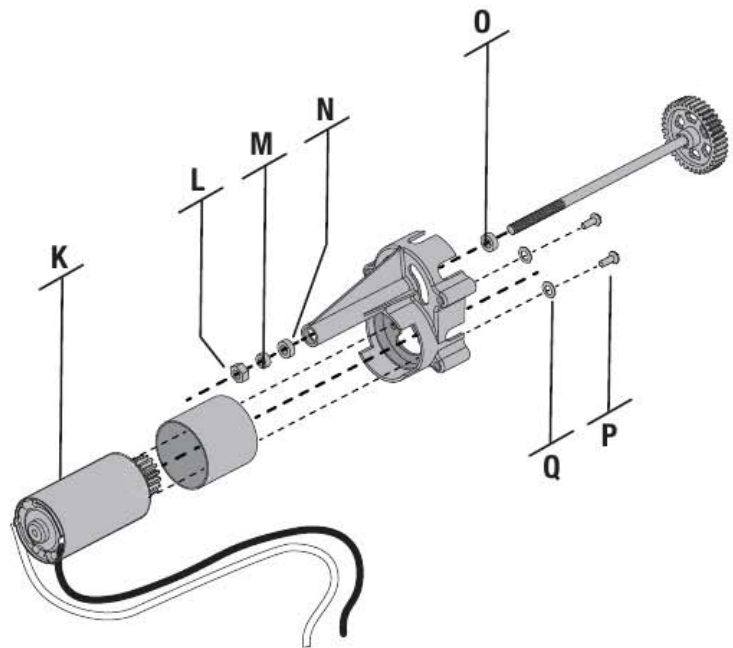


Disassembly



CAUTION: DO NOT handle the spinner, propeller, motor or Receiver/ESC unit while the battery is connected to the Receiver/ESC. Personal injury could result.

1. Remove the spinner (A) from the hex nut.
2. Remove the hex nut (B), washer (C) and propeller (D) from the gear shaft (E).
3. Remove 3 screws (F) and the cowling (G) from the fuselage.
4. Remove 4 screws (H), 4 washers (I) and the gearbox (J) from the firewall.
5. In the fuselage, disconnect 2 bullet connectors of the motor (K) from the ESC connectors (motor wire colors align with ESC wire colors) and remove the motor wires from the fuselage.
6. Remove the hex nut (L), spacer (M) and front bearing (N) from the gear shaft.
7. Remove the gear shaft and rear bearing (O) from the gearbox.
8. Remove 2 screws (P), 2 rubber washers (Q) and the motor from the gearbox.



Limited Warranty

What this Warranty Covers

Horizon Hobby, Inc., (Horizon) warrants to the original purchaser that the product purchased (the "Product") will be free from defects in materials and workmanship at the date of purchase.

What is Not Covered

This warranty is not transferable and does not cover (i) cosmetic damage, (ii) damage due to acts of God, accident, misuse, abuse, negligence, commercial use, or due to improper use, installation, operation or maintenance, (iii) modification of or to any part of the Product, (iv) attempted service by anyone other than a Horizon Hobby authorized service center, (v) Product not purchased from an authorized Horizon dealer, or (vi) Product not compliant with applicable technical regulations.

OTHER THAN THE EXPRESS WARRANTY ABOVE, HORIZON MAKES NO OTHER WARRANTY OR REPRESENTATION, AND HEREBY DISCLAIMS ANY AND ALL IMPLIED WARRANTIES, INCLUDING, WITHOUT LIMITATION, THE IMPLIED WARRANTIES OF NON-INFRINGEMENT, MERCHANTABILITY AND FITNESS FOR A PARTICULAR PURPOSE. THE PURCHASER ACKNOWLEDGES THAT THEY ALONE HAVE DETERMINED THAT THE PRODUCT WILL SUITABLY MEET THE REQUIREMENTS OF THE PURCHASER'S INTENDED USE.

Purchaser's Remedy

Horizon's sole obligation and purchaser's sole and exclusive remedy shall be that Horizon will, at its option, either (i) service, or (ii) replace, any Product determined by Horizon to be defective. Horizon reserves the right to inspect any and all Product(s) involved in a warranty claim. Service or replacement decisions are at the sole discretion of Horizon. Proof of purchase is required for all warranty claims. SERVICE OR REPLACEMENT AS PROVIDED UNDER THIS WARRANTY IS THE PURCHASER'S SOLE AND EXCLUSIVE REMEDY.

Limitation of Liability

HORIZON SHALL NOT BE LIABLE FOR SPECIAL, INDIRECT, INCIDENTAL OR CONSEQUENTIAL DAMAGES, LOSS OF PROFITS OR PRODUCTION OR COMMERCIAL LOSS IN ANY WAY, REGARDLESS OF WHETHER SUCH CLAIM IS BASED IN CONTRACT, WARRANTY, TORT, NEGLIGENCE, STRICT LIABILITY OR ANY OTHER THEORY OF LIABILITY, EVEN IF HORIZON HAS BEEN ADVISED OF THE POSSIBILITY OF SUCH DAMAGES. Further, in no event shall the liability of Horizon exceed the individual price of the Product on which liability is asserted. As Horizon has no control over use, setup, final assembly, modification or misuse, no liability shall be assumed nor accepted for any resulting damage or injury. By the act of use, setup or assembly, the user accepts all resulting liability. If you as the purchaser or user are not prepared to accept the liability associated with the use of the Product, purchaser is advised to return the Product immediately in new and unused condition to the place of purchase.

Law

These terms are governed by Illinois law (without regard to conflict of law principals). This warranty gives you specific legal rights, and you may also have other rights which vary from state to state. Horizon reserves the right to change or modify this warranty at any time without notice.

WARRANTY SERVICES

Questions, Assistance, and Services

Your local hobby store and/or place of purchase cannot provide warranty support or service. Once assembly, setup or use of the Product has been started, you must contact your local distributor or Horizon directly. This will enable Horizon to better answer your questions and service you in the event that you may need any assistance. For questions or assistance, please visit our website at www.horizonhobby.com, submit a Product Support Inquiry, or call the toll free telephone number referenced in the

Warranty and Service Contact Information section to speak with a Product Support representative.

Inspection or Services

If this Product needs to be inspected or serviced and is compliant in the country you live and use the Product in, please use the Horizon Online Service Request submission process found on our website or call Horizon to obtain a Return Merchandise Authorization (RMA) number. Pack the Product securely using a shipping carton. Please note that original boxes may be included, but are not designed to withstand the rigors of shipping without additional protection. Ship via a carrier that provides tracking and insurance for lost or damaged parcels, as Horizon is not responsible for merchandise until it arrives and is accepted at our facility. An Online Service Request is available at http://www.horizonhobby.com/content/_service-center_render-service-center. If you do not have internet access, please contact Horizon Product Support to obtain a RMA number along with instructions for submitting your product for service. When calling Horizon, you will be asked to provide your complete name, street address, email address and phone number where you can be reached during business hours. When sending product into Horizon, please include your RMA number, a list of the included items, and a brief summary of the problem. A copy of your original sales receipt must be included for warranty consideration. Be sure your name, address, and RMA number are clearly written on the outside of the shipping carton.

NOTICE: Do not ship LiPo batteries to Horizon. If you have any issue with a LiPo battery, please contact the appropriate Horizon Product Support office.

Warranty Requirements

For Warranty consideration, you must include your original sales receipt verifying the proof-of-purchase date. Provided warranty conditions have been met, your Product will be serviced or replaced free of charge. Service or replacement decisions are at the sole discretion of Horizon.

Non-Warranty Service

Should your service not be covered by warranty, service will be completed and payment will be required without notification or estimate of the expense unless the expense exceeds 50% of the retail purchase cost. By submitting the item for service you are agreeing to payment of the service without notification. Service estimates are available upon request. You must include this request with your item submitted for service. Non-warranty service estimates will be billed a minimum of ½ hour of labor. In addition you will be billed for return freight. Horizon accepts money orders and cashier's checks, as well as Visa, MasterCard, American Express, and Discover cards. By submitting any item to Horizon for service, you are agreeing to Horizon's Terms and Conditions found on our website http://www.horizonhobby.com/content/_service-center_render-service-center.

ATTENTION: Horizon service is limited to Product compliant in the country of use and ownership. If received, a non-compliant Product will not be serviced. Further, the sender will be responsible for arranging return shipment of the un-serviced Product, through a carrier of the sender's choice and at the sender's expense. Horizon will hold non-compliant Product for a period of 60 days from notification, after which it will be discarded.

Warranty and Service Contact Information

| Country of Purchase | Horizon Hobby | Contact Information | Address |
|--------------------------|---|---|--|
| United States of America | Horizon Service Center (Repairs and Repair Requests) | servicecenter.horizonhobby.com/Re- questForm/ | 4105 Fieldstone Rd Champaign, Illinois, 61822 USA |
| | Horizon Product Support (Product Technical Assistance) | www.quickbase.com/db/ bghj7ey8c?a=GenNewRecord Air 888-959-2305 | |
| | Sales | sales@horizonhobby.com Air 888-959-2305 | |
| United Kingdom | Service/Parts/Sales: Horizon Hobby Limited | sales@horizonhobby.co.uk +44 (0) 1279 641 097 | Units 1-4 , Ployters Rd, Staple Tye Harlow, Essex, CM18 7NS, United Kingdom |
| Germany | Horizon Technischer Service | service@horizonhobby.de | Christian-Junge-Straße 1 25337 Elmshorn, Germany |
| | Sales: Horizon Hobby GmbH | +49 (0) 4121 2655 100 | |
| France | Service/Parts/Sales: Horizon Hobby SAS | infofrance@horizonhobby.com +33 (0) 1 60 18 34 90 | 11 Rue Georges Charpak 77127 Lieusaint, France |
| China | Service/Parts/Sales: Horizon Hobby – China | info@horizonhobby.com.cn +86 (021) 5180 9868 | Room 506, No. 97 Changshou Rd. Shanghai, China 200060 |

FCC Information

Operation is subject to the following two conditions: (1) This device may not cause harmful interference, and (2) this device must accept any interference received, including interference that may cause undesired operation.

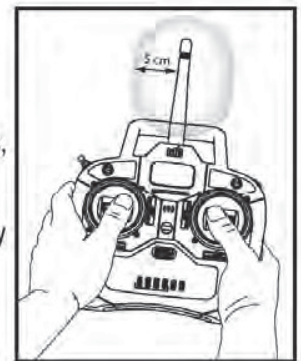
CAUTION: Changes or modifications not expressly approved by the party responsible for compliance could void the user's authority to operate the equipment.

This product contains a radio transmitter with wireless technology which has been tested and found to be compliant with the applicable regulations governing a radio transmitter in the 2.400GHz to 2.4835GHz frequency range.

Antenna Separation Distance

When operating your transmitter, please be sure to maintain a separation distance of at least 5 cm between your body (excluding fingers, hands, wrists, ankles and feet) and the antenna to meet RF exposure safety requirements as determined by FCC regulations.

This illustration shows the approximate 5 cm RF exposure area and typical hand placement when operating your transmitter.



IC Information

This device complies with Industry Canada licence-exempt RSS standard(s). Operation is subject to the following two conditions: (1) this device may not cause interference, and (2) this device must accept any interference, including interference that may cause undesired operation of the device.

IC Déclaration:

Le présent appareil est conforme aux CNR d'Industrie Canada applicables aux appareils radio exempts de licence. L'exploitation est autorisée aux deux conditions suivantes : (1) l'appareil ne doit pas produire de brouillage, et (2) l'utilisateur de l'appareil doit accepter tout brouillage radioélectrique subi, même si le brouillage est susceptible d'en compromettre le fonctionnement.

Compliance Information for the European Union

| | | | | | | |
|----|----|----|----|----|----|----|
| AT | BE | BG | CZ | CY | DE | DK |
| EE | ES | FI | FR | GR | HR | HU |
| IE | IT | LT | LU | LV | MT | NL |
| PL | PT | RO | SE | SI | SK | UK |
| IS | LI | NO | CH | | | |

Declaration of Conformity

(in accordance with ISO/IEC 17050-1)

No. HH2014032601

Product(s): HBZ Super Cub SAFE RTF
 Item Number(s): HBZ8100EU/HBZ8100EU1/HBZ8100UK
 HBZ8100UK1
 Equipment class: 2

The object of declaration described above is in conformity with the requirements of the specifications listed below, following the provisions of the European R&TTE Directive 1999/5/EC, EMC Directive 2004/108/EC and LVD Directive 2006/95/EC:

EN 300-328 V1.7.1: 2006

EN 301 489-1 V1.9.2: 2012

EN 301 489-17 V2.1.1: 2009

EN60950-1:2006+A11:2009+A1:2010+A12: 2011

EN55022:2010 + AC:2011

EN55024:2010

EN61000-3-2:2006+A1:2009+A2:2009

EN61000-3-3:2008



Signed for and on behalf of:
 Horizon Hobby, Inc.
 Champaign, IL USA
 March 26, 2014

Robert Peak
 Chief Financial Officer
 Horizon Hobby, Inc.

Declaration of Conformity

(in accordance with ISO/IEC 17050-1)

No. HH2014032602

Product(s): HBZ Super Cub SAFE BNF
 Item Number(s): HBZ8180EU, HBZ8180UK
 Equipment class: 1

The object of declaration described above is in conformity with the requirements of the specifications listed below, following the provisions of the European R&TTE Directive 1999/5/EC, EMC Directive 2004/108/EC and LVD Directive 2006/95/EC:

EN 301 489-1 V1.9.2: 2012

EN 301 489-17 V2.1.1: 2009

EN60950-1:2006+A11:2009+A1:2010+A12: 2011

EN55022:2010 + AC:2011

EN55024:2010

EN61000-3-2:2006+A1:2009+A2:2009

EN61000-3-3:2008



Signed for and on behalf of:
 Horizon Hobby, Inc.
 Champaign, IL USA
 March 26, 2014

Robert Peak
 Chief Financial Officer
 Horizon Hobby, Inc.

Instructions for disposal of WEEE by users in the European Union




This product must not be disposed of with other waste. Instead, it is the user's responsibility to dispose of their waste equipment by handing it over to a designated collections point for the recycling of waste electrical and electronic equipment. The separate collection and recycling of your waste equipment at the time of disposal will help to conserve natural resources and ensure that it is recycled in a manner that protects human health and the environment. For more information about where you can drop off your waste equipment for recycling, please contact your local city office, your household waste disposal service or where you purchased the product.

Replacement Parts • Ersatzteile • Pièces de rechange • Pezzi di ricambio

| Part # Nummer Numéro Codice | Description | Beschreibung | Description | Descrizione |
|------------------------------------|---|--|---|--|
| HBZ1002 | 9 x 6 Propeller | 9 x 6 Propeller | Hélice 9x6 | 9 x 6 Elica |
| HBZ1003 | DC LiPo Balancing Charger | Hobbyzone 3S Lipo Balance Lader | Chargeur équilibreur Li-Po DC | DC LiPo Caricatore con bilanciamento |
| HBZ1004 | 1.5A AC Power Supply | Hobbyzone 1.5A Netzteil | Alimentation secteur 1.5A | 1.5A AC Alimentatore |
| SPMA3170 | DSMX SAFE Receiver/ESC unit: Super Cub | DSMX SAFE Empfänger / Regler Einheit | Module RX/SAFE/Vario | Unità ricevitore/ESC DSMX SAFE |
| PKZ1033 | 1300mAh 11.1V Li-Po Battery with EC3 Connector | Parkzone 11.1V 1300mAh LiPo Bat m/EC3 Stecker | Batterie Li-Po 3S 11.1V 1300mA avec prise EC3 | 1300mAh 11.1V Li-Po Battery with EC3 Connector |
| HBZ7104 | Prop Shaft | Luftschraubenwelle mit Zubehör | Axe d'hélice | Albero elica |
| HBZ7106 | Landing Gear with Tires | Fahrwerk m. Bereifung | Train d'atterrissage avec roues | Carrello con ruote |
| HBZ7107 | Spinner | Spinner | Cône | Ogiva |
| HBZ7112 | Battery Door with Latch | Super Cub Batteriefachdeckel | Couvercle de compartiment à batterie | Portello batteria con chiusura |
| HBZ7114 | Firewall with Screws | Brandschott | Cloison pare feu avec vis | Ordinata motore con viti |
| HBZ7117 | Tail Wheel | | Roulette de queue | Ruotino coda |
| HBZ7120 | Standard Wing with Struts | Tragfläche | Aile standard avec haubans | Ala standard con montanti |
| HBZ7121 | Control Horns (4) | Ruderhörner (4) | Guignols (4) | Squadrette (4) |
| HBZ7122 | Wing Struts with Screws | Tragflächenstreben | Hauban avec vis | Montanti ala con viti |
| HBZ7124 | 2 Wing Hold Down Rods | Tragflächendübel | 2 tiges de fixation d'aile | 2 aste fissaggio ala |
| HBZ7125 | Tail with Accessories | komplettes Leitwerk | Empennages avec accessoires | Coda con accessori |
| HBZ7126 | Cowl | Motorhaube | Capot | Capottina |
| HBZ7127 | White Rubber Bands (6) | weiße Gummibänder(6) | Elastiques blancs | Elastici bianchi (6) |
| HBZ7128 | Pushrods and Clevis Set (2) | Schubstangen mit Clips (2) | Set de tringleries avec chapes | Set barrette e forcelle (2) |
| HBZ7129 | Gearbox with Firewall | Getriebe mit Motorspant | Réducteur | Riduttore con ordinata |
| HBZ7134 | Motor with Pinion | Motor mit Ritzel | Moteur avec pignon | Motore con pignone |
| PKZ1536 | Motor Screws (2): M 2.5 x 6 | Motorschrauben M2,5x6 (2) | Vis de fixation moteur M2.5x6 (2) | Viti motore (2): M 2.5 x 6 |
| HBZ7135 | Metal Pinion (2) | Metalritzel (2) | Pignon métal (2) | Pignone in metallo (2) |
| HBZ8167 | Bare Fuselage (no receiver) | Schaumteilesatz o. Elektronik | Fuselage nu | Solo fusoliera (senza ricevitore) |
| HBZ8110 | Decal Sheet: Super Cub | Dekorbogen | Planche de décoration | Foglio adesivi |
| PKZ1060 | Mini Servo (3W) with Arms, Short Lead | Parkzone Mini Servo, 3 adrig, kurzes Kabel | Mini servo 3 fils avec bras, fils courts | Servo mini (3W) con squadrette, filo corto |
| PKZ1062 | Servo Gear Set | Servo Hebel Set | Set de pignons pour servo | Set ingranaggi servo |
| PKZ1132 | Servo Arm Assortment (3W & 5W) | Servo Getriebe 3W & 5W | Assortiment de bras de servo | Assortimento squadrette servo |
| SPMR4400 | DX4e 4-Channel Full Range Transmitter Only (Mode 2) | Spektrum DX4e 4 Kanal Sender ohne Empfänger MD 2 | Emetteur seul DX4e 4 voies Mode 2 | Solo Tx 4 canali DX4e DSMX MD2 |
| SPMR4401 | DX4e 4-Channel Full Range Transmitter Only (Mode 1) | Spektrum DX4e 4 Kanal Sender ohne Empfänger MD 1 | Emetteur seul DX4e 4 voies Mode 1 | Solo Tx 4 canali DX4e DSMX MD1 |

Optional Parts • Optionale Bauteile • Pièces optionnelles • Pezzi opzionali

| Part # Nummer Numéro Codice | Description | Beschreibung | Description | Descrizione |
|------------------------------------|--|---|--|---|
| HBZ7390 | Super Cub LP Floats | Hobbyzone Schwimmersatz für Super Cub LP | Flotteurs | Super Cub LP Floats |
| PKZ1005 | 10 x 8 High Power Propeller (for use with optional floats) | High Power Luftschraube 10 x8 (bei Verwendung mit Schwimmern) | Hélice haute puissance 10x8 (Utilisation avec les flotteurs) | Elica 10x8 per alta potenza (da usare con i galleggianti opzionali) |
| EFLAEC312 | EC3 Charge Lead w/12" Wire & Jacks,16AWG | EC3 Ladekabel mit Stecker | Prise de charge EC3, long 30cm | Cavo di carica EC3 da 30cm con jacks,16AWG |
| HBZ6513 | Alligator Clip: 12V Lighter Adapter | Krokodilklemme: 12 V Zigarettenanzünder | Adaptateur 12V allume cigare/ pinces croco | Pinze tipo coccodrillo: adattatore 12V per presa accendisigari |
| HBZ1004 | 1.5A AC Power Supply (US Only) | 1.5A AC Power Supply (US Only) | Alimentation secteur 1.5A (USA uniquement) | 1.5A AC Alimentatore (solo USA) |
| HBZ1004EU | 1.5A AC Power Supply (EU Only) | 1.5A AC Power Supply (EU Only) | Alimentation secteur 1.5A (EU uniquement) | 1.5A AC Alimentatore (solo EU) |
| HBZ1004UK | 1.5A AC Power Supply (UK Only) | 1.5A AC Power Supply (UK Only) | Alimentation secteur 1.5A (UK uniquement) | 1.5A AC Alimentatore (solo UK) |
| EFLA111 | Li-Po Cell Voltage Checker | E-flite Li-Po Cell Volt Checker | Testeur de tension pour batterie li-Po | Voltmetro per celle LiPo |
| EFLA250 | Park Flyer Tool Assortment, 5 pc | E-flite Park Flyer Werkzeugsortiment, 5 teilig | Assortiment d'outils pour parkflyer, 5 pièces | Assortimento attrezzi per Park Flyer |
| EFLAEC202 | EC2 Battery Connector (2) | E-flite EC2 Akkubuchse (2) | Prise EC2 coté batterie (2) | EC2 Connettore batteria (2) |
| EFLAEC203 | EC2 Device & Battery Connector | E-flite EC2 Stecker / Buchse | Prise EC2 coté contrôleur et coté batterie | EC2 dispositivo & connettore batteria |
| EFLC3025 | Celectra 80W AC/DC Multi-Chemistry Battery Charger | Celectra 80 W AC/DC Multi-Chemistry-Batterieladegerät | Chargeur de batterie AC/DC Celectra 80 W multi-types | Caricabatterie per batteria multichimica 80 W c.a./c.c. |
| RTM40R5510 | Phoenix R/C Pro Simulator V4.0 w/DX5e Mode 2 | Phoenix R/C Pro Simulator V4.0 m. DX5e | Simulateur Phoenix V4 avec DX5e mode 2 | Phoenix R/C Pro simulatore V4.0 w/DX5e Mode 2 |
| RTM4000 | Phoenix R/C Pro Simulator V4.0 | Phoenix R/C Pro Simulator V4.0 | Simulateur Phoenix V4 | Phoenix R/C Pro simulatore V4.0 |
| | DX4e DSMX 4-Channel Transmitter | Spektrum DX4e DSMX 4 Kanal Sender ohne Empfänger | Emetteur DX4e DSMX 4 voies | DX4e DSMX Trasmettitore 4 canali |
| | DX5e DSMX 5-Channel Transmitter | Spektrum DX5e DSMX 5 Kanal Sender ohne Empfänger | Emetteur DX5e DSMX 5 voies | DX5e DSMX Trasmettitore 5 canali |
| | DX6i DSMX 6-Channel Transmitter | Spektrum DX6i DSMX 6 Kanal Sender ohne Empfänger | Emetteur DX6i DSMX 6 voies | DX6i DSMX Trasmettitore 6 canali |
| | DX7s DSMX 7-Channel Transmitter | Spektrum DX7s DSMX 7 Kanal Sender ohne Empfänger | Emetteur DX7s DSMX 7 voies | DX7s DSMX Trasmettitore 7 canali |
| | DX8 DSMX 8-Channel Transmitter | Spektrum DX8 DSMX 8 Kanal Sender ohne Empfänger | Emetteur DX8 DSMX 8 voies | DX8 DSMX Trasmettitore 8 canali |
| | DX9 DSMX 9-Channel Transmitter | Spektrum DX9 DSMX 9 Kanal Sender ohne Empfänger | Emetteur DX9 DSMX 9 voies | DX9 DSMX Trasmettitore 9 canali |
| | DX10t DSMX 10-Channel Transmitter | Spektrum DX10t DSMX 10 Kanal Sender ohne Empfänger | Emetteur DX10t DSMX 10 voies | DX10t DSMX Trasmettitore 10 canali |
| | DX18 DSMX 18-Channel Transmitter | Spektrum DX18 DSMX 18 Kanal Sender ohne Empfänger | Emetteur DX18 DSMX 18 voies | DX18 DSMX Trasmettitore 18 canali |



© 2014 Horizon Hobby, LLC.

HobbyZone, the HobbyZone logo, SAFE, SAFE logo, Bind-N-Fly, the BNF logo, Z-Foam, DSM, DSM2, DSMX, EC2, EC3, Celectra and the Horizon Hobby logo are trademarks or registered trademarks of Horizon Hobby, LLC.

The Spektrum trademark is used with permission of Bachmann Industries, Inc.

Patents pending.

www.hobbyzonerc.com

Created 03/14 42980

HBZ8100, HBZ8180