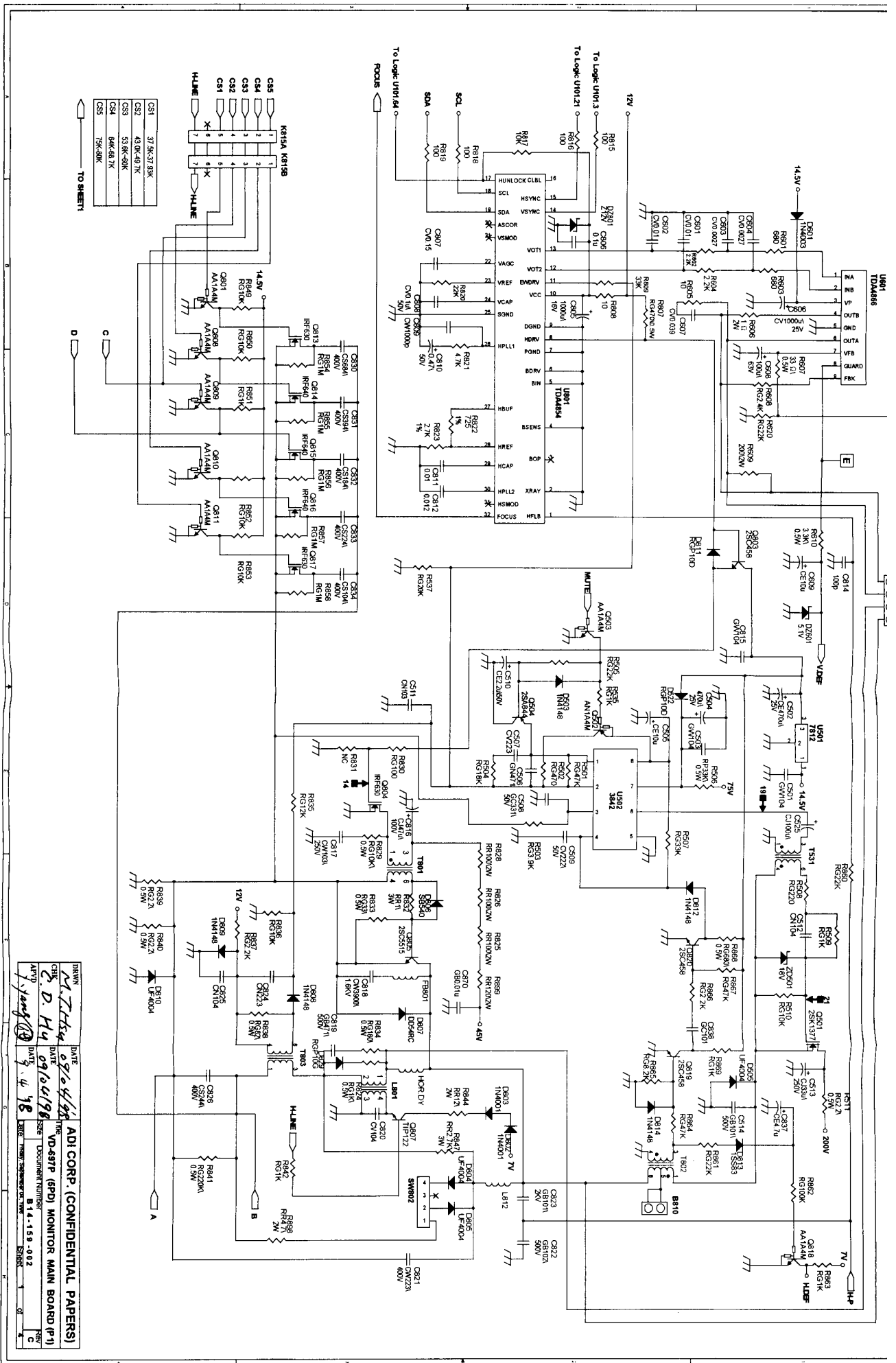


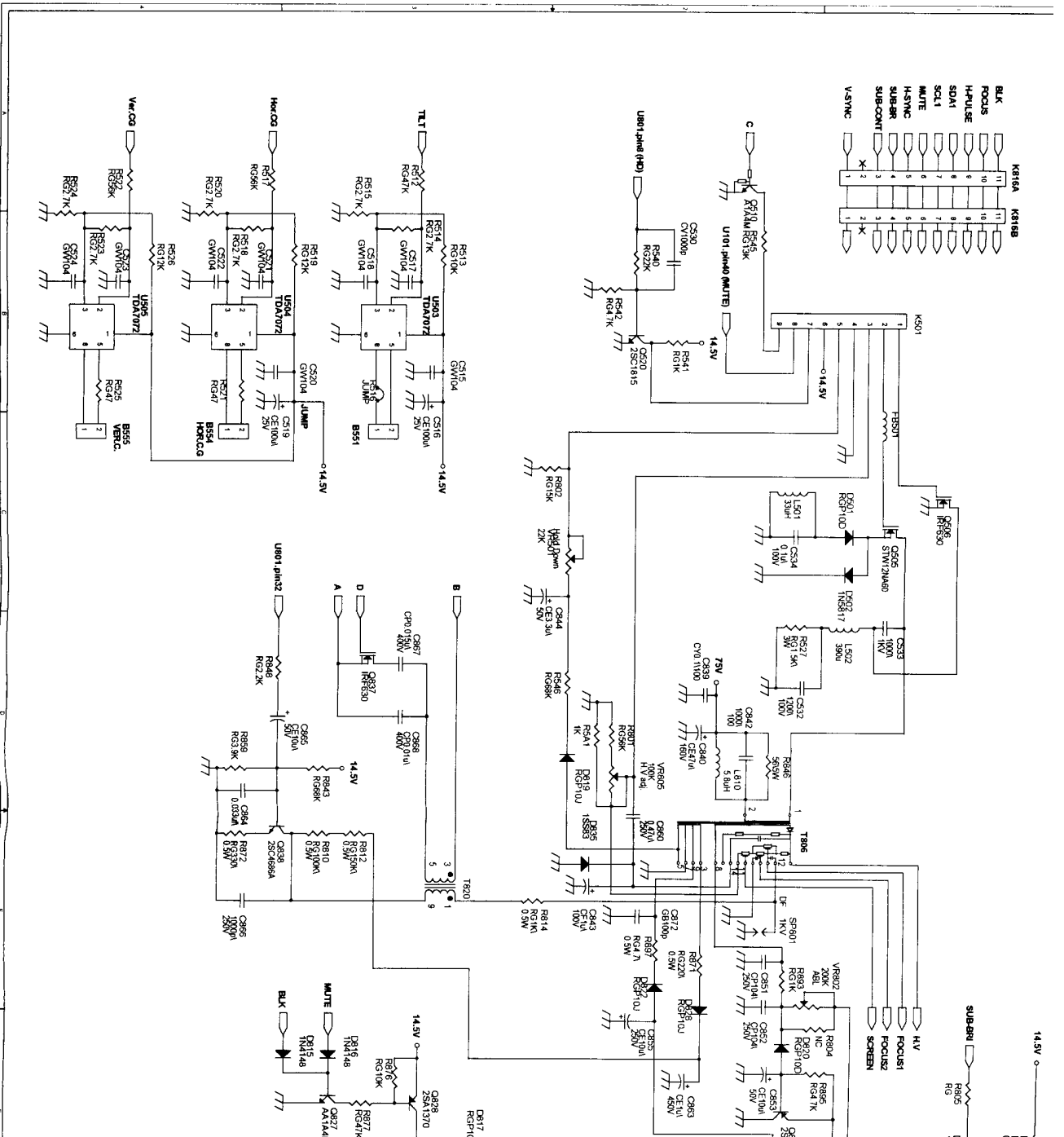
DRAWN	DATE	REV
M. T. Hsu	08/24/87	1
CHKD	DATE	REV
C. H. Chung	08/24/87	1
APP'D	DATE	REV
J. D. Lee	11/24/87	8
ADI CORP. (CONFIDENTIAL PAPERS) THE VDS87P (87P) SWITCHING POWER SUPPLY DOCUMENT NUMBER 87-14-153-001 FILE: MICROFILM, ANALOG, 1000 SIZE: 8 1/2" X 11"		

FLC ID: BR8VD-697P



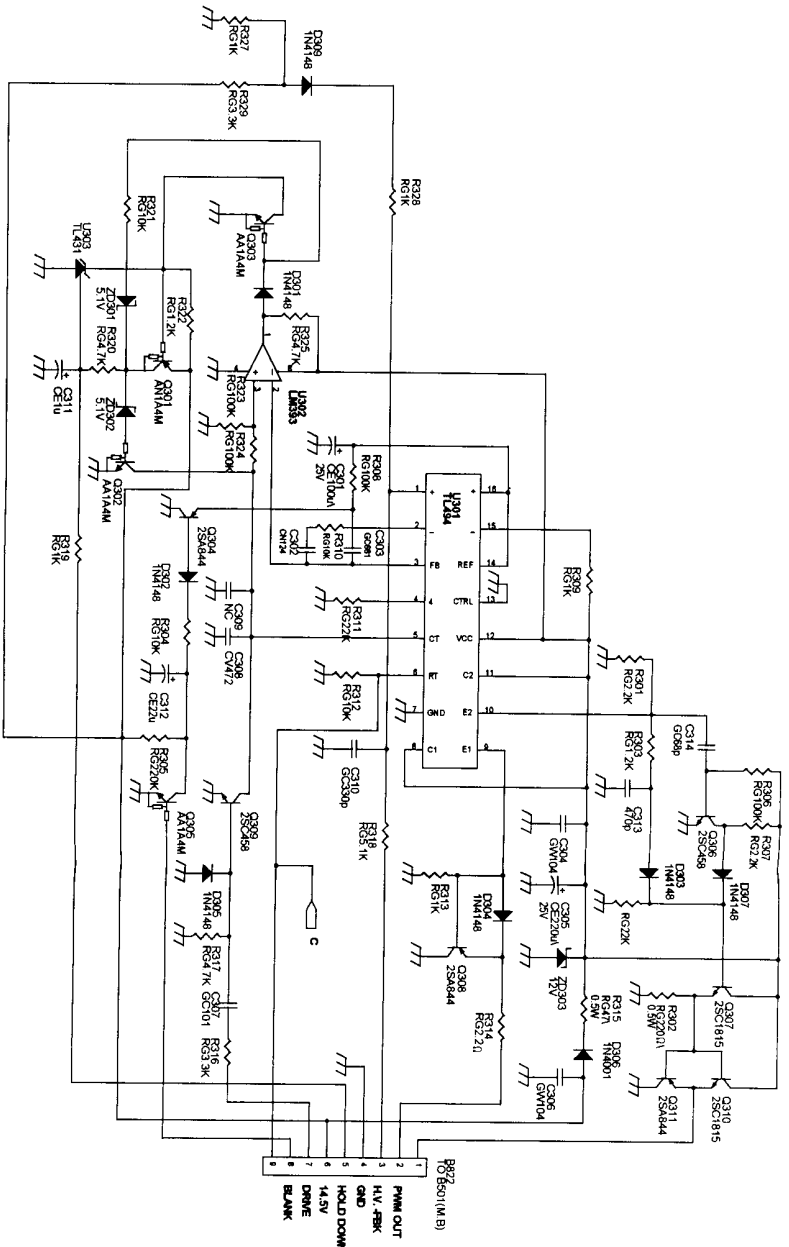
DATE	09/04/84	ADICORP (CONFIDENTIAL PAPERS)
DATE	09/04/84	VD-437P (6PD) MONITOR MAIN BOARD (P-1)
DATE	09/04/84	SIZE
DATE	9/4/86	REVISION
DATE		SCALE
DATE		BY
DATE		CHK
DATE		APP'D

DRAWN: M. J. J. J.
 C. D. H. H.
 DATE: 9/4/86

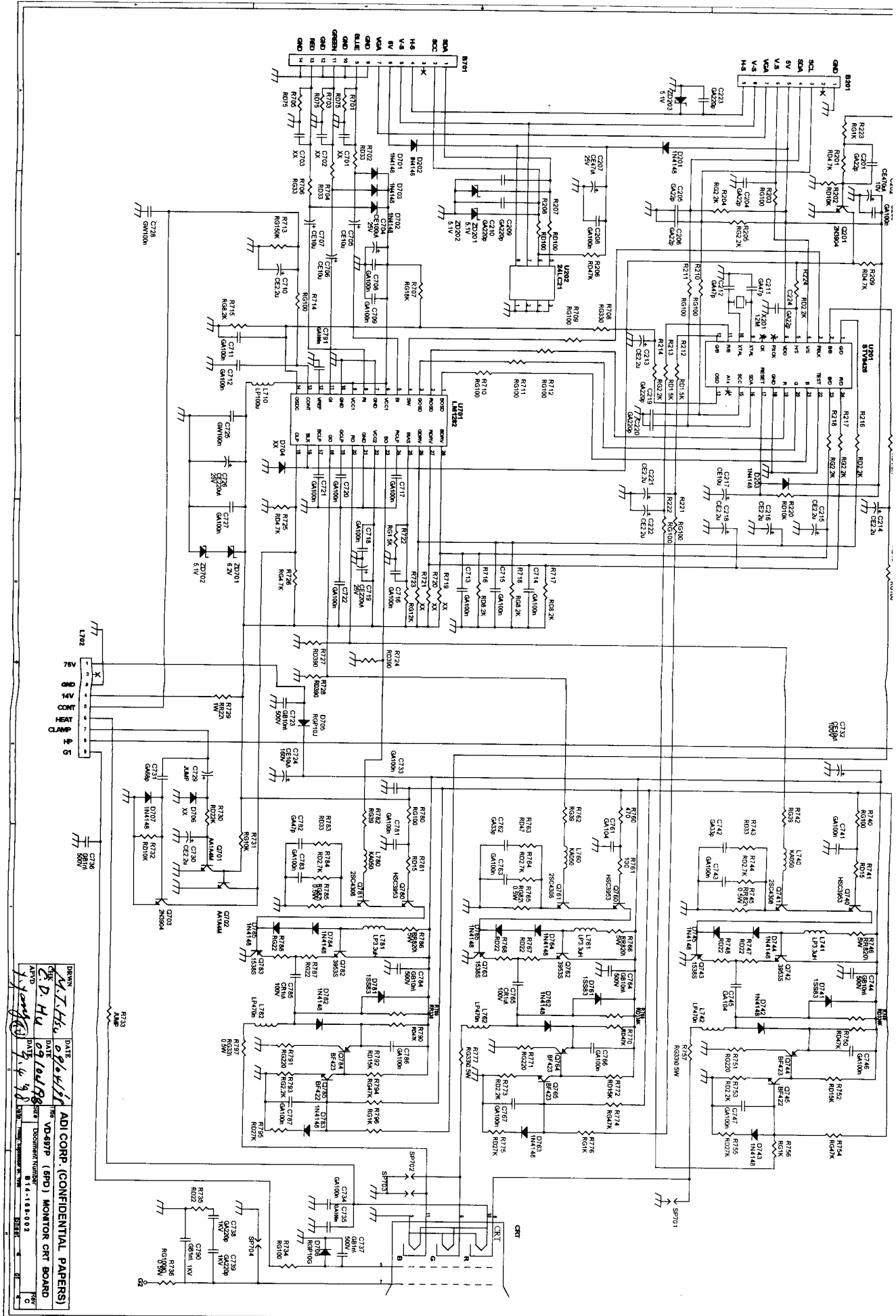


DATE	BY	CHKD	APP'D	REV
07/10/1978	D. H. W.			1
07/14/78				2
07/14/78				3
07/14/78				4
07/14/78				5
07/14/78				6
07/14/78				7
07/14/78				8
07/14/78				9
07/14/78				10

DESIGN: M. Z. Z. Adams DRAWN: D. H. W. DATE: 07/10/1978 TITLE: VD-697P (FPD) MONITOR MAIN BOARD (P2) DOCUMENT NUMBER: B 14-1159-002 REV: 1 SHEET: 1 OF 2	DATE: 07/10/1978 BY: D. H. W. CHKD: APP'D: REV: 1 SHEET: 1 OF 2
--	---

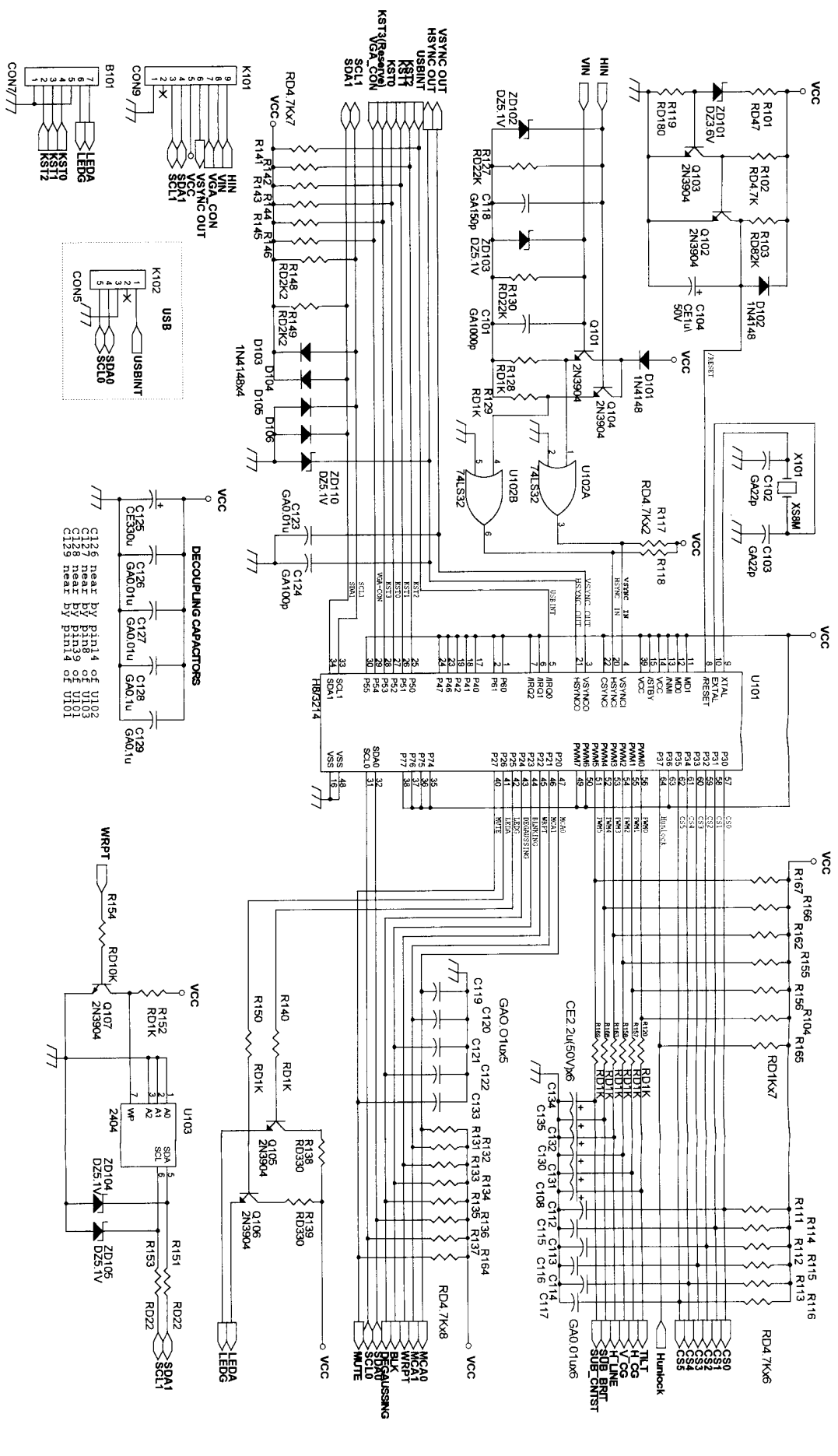


DATE	07/10/98	DRWN	K. T. Tan
DATE	07/10/98	CHKD	D. H. H.
DATE	07/14/98	ENGR	J. Yang
TITLE	ADI CORP. (CONFIDENTIAL PAPERS)	REV	C
PROJECT	VD-897E (SPD) MONITOR PWM BOARD (P3)	SCALE	1:1
DWG NO.	814-158-002	SHEET	3



DRAWN: *A.I.H.H.* DATE: *09/10/88*
 CHECKED: *D.H.W.* DATE: *09/10/88*
 APPROVED: *[Signature]* DATE: *09/10/88*

ADI CORP. (CONFIDENTIAL PAPERS)
VD-87P (BPD) MONITOR CRT BOARD
 B 1-1-B-0-0-2
 REV: C



DRWN	DATE	ADJ CORP. (CONFIDENTIAL PAPERS)
CHK	DATE	VD-697P (SPD) LOGIC CIRCUIT
APP'D	DATE	Size
REV'D	DATE	Document Number
		Rev
		Street
		City
		State
		Zip

11.7.14
 09/21/98
 Brian Chan
 9/10/198
 Brian Chan

Monday, August 31, 1998
 B 1 4 . 1 5 9 . 0 0 3
 1 of 1