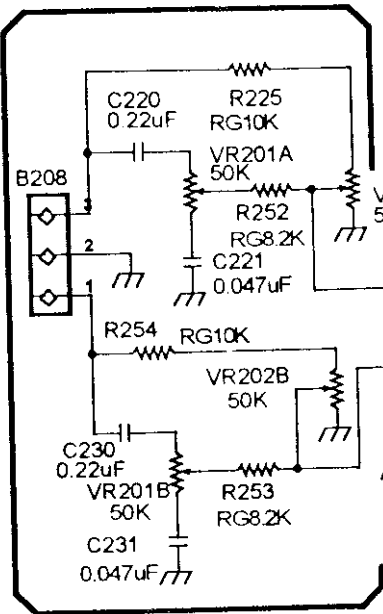
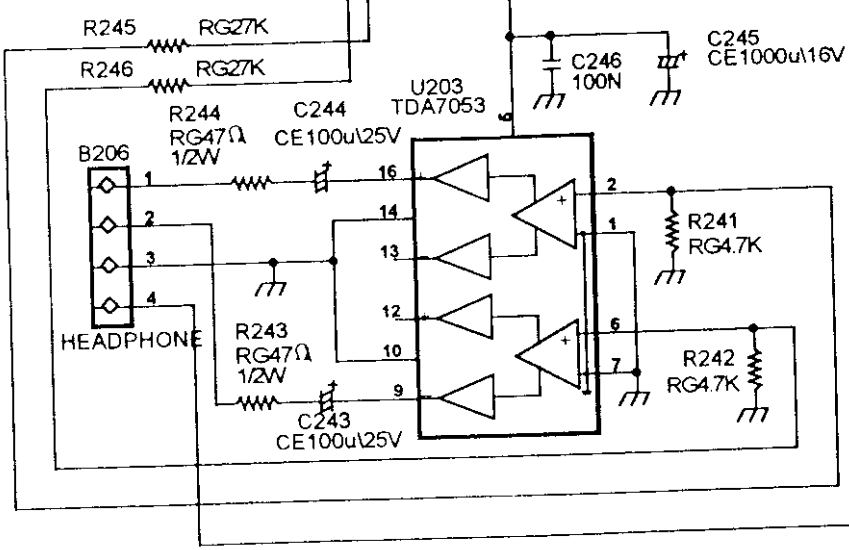
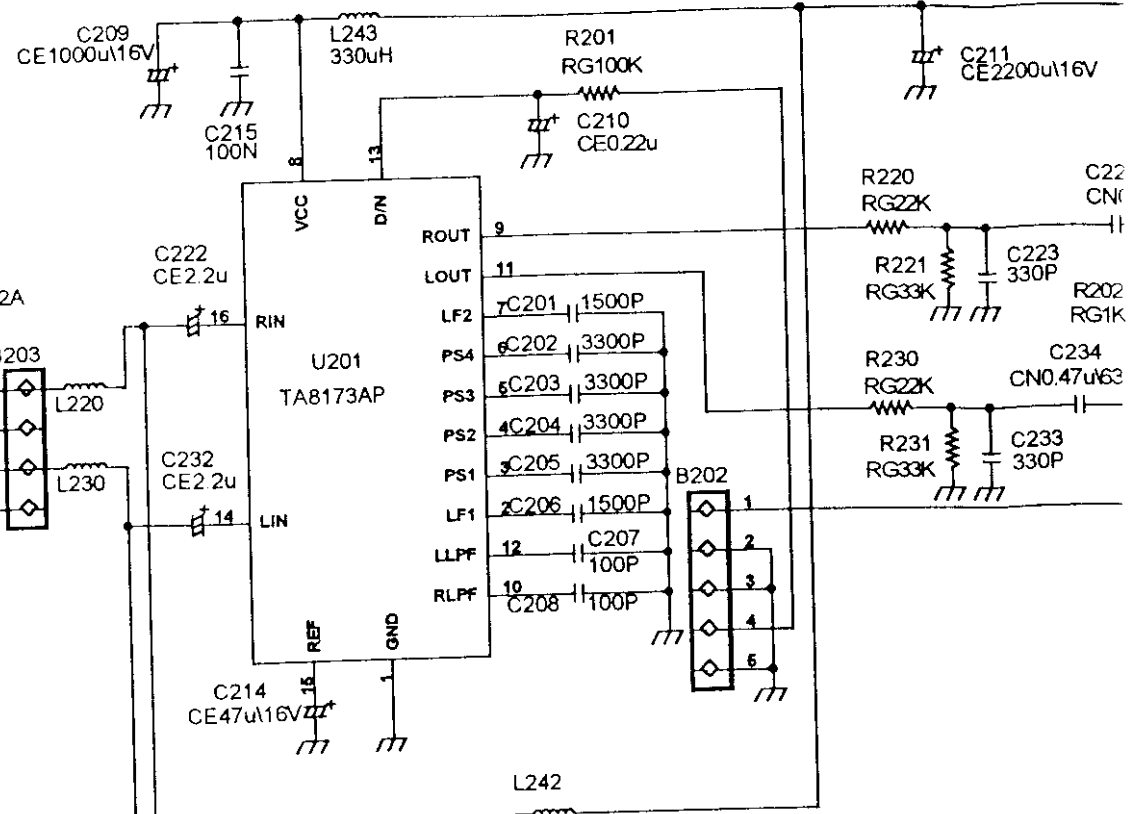


The place on the front panel

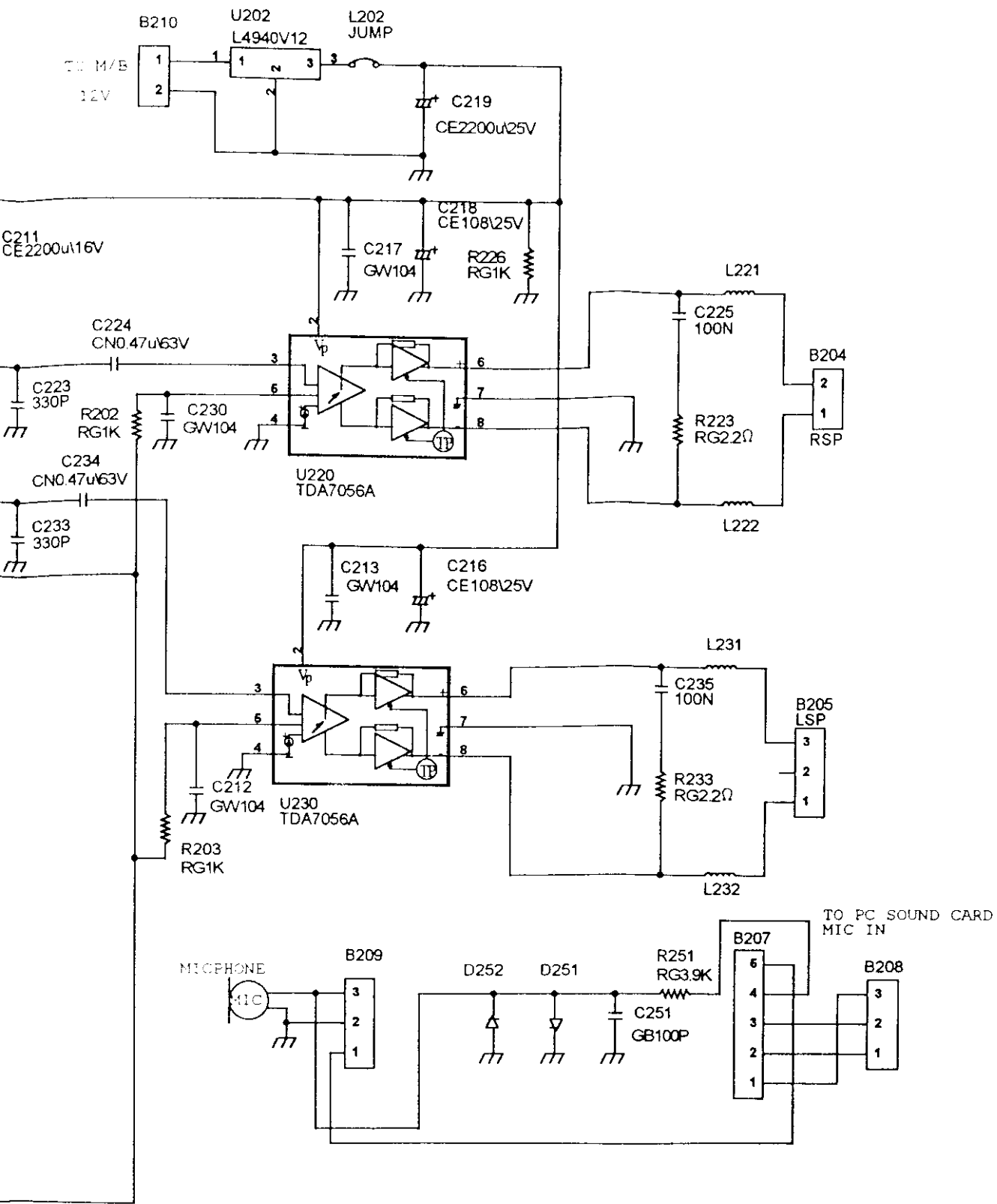


VR201: TONE CONTROL  
VR202: VOLUME CONTROL



REFERENCE

ADI CONFIDENTIAL PAPERS  
DO NOT COPY

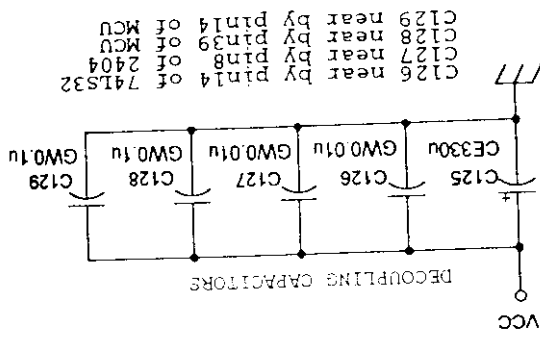
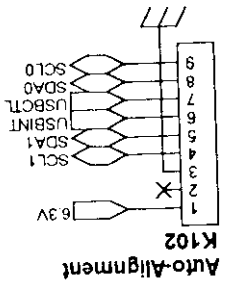
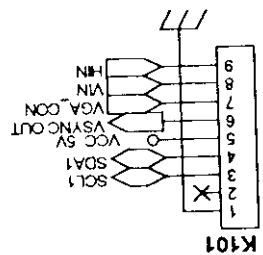
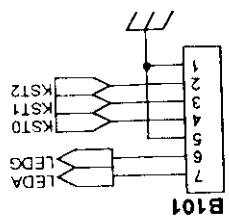


DRWN W. Y. Wang	DATE 10.2 '98	ADI CORP. (CONFIDENTIAL PAPERS)	
CHK Denes Lau	DATE 10.2 '98		
APVD Ming Zhang	DATE 10.6 '98	Size B Document Number B 14-167-002	Rev B
Date: Monday, September 28, 1998		Sheet 3 of 3	

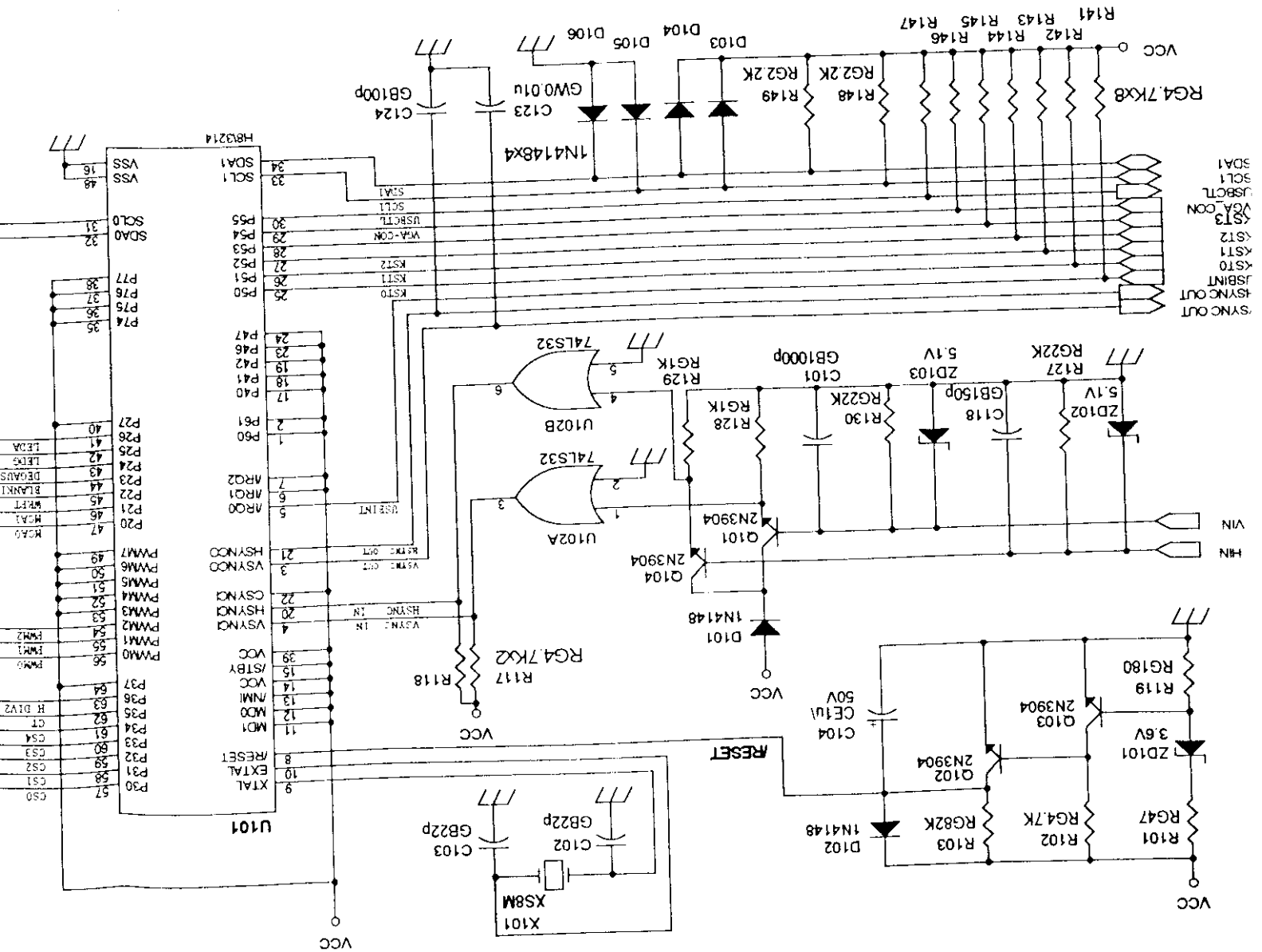
ADI CONFIDENTIAL PAPERS  
DO NOT COPY

REFERENCE

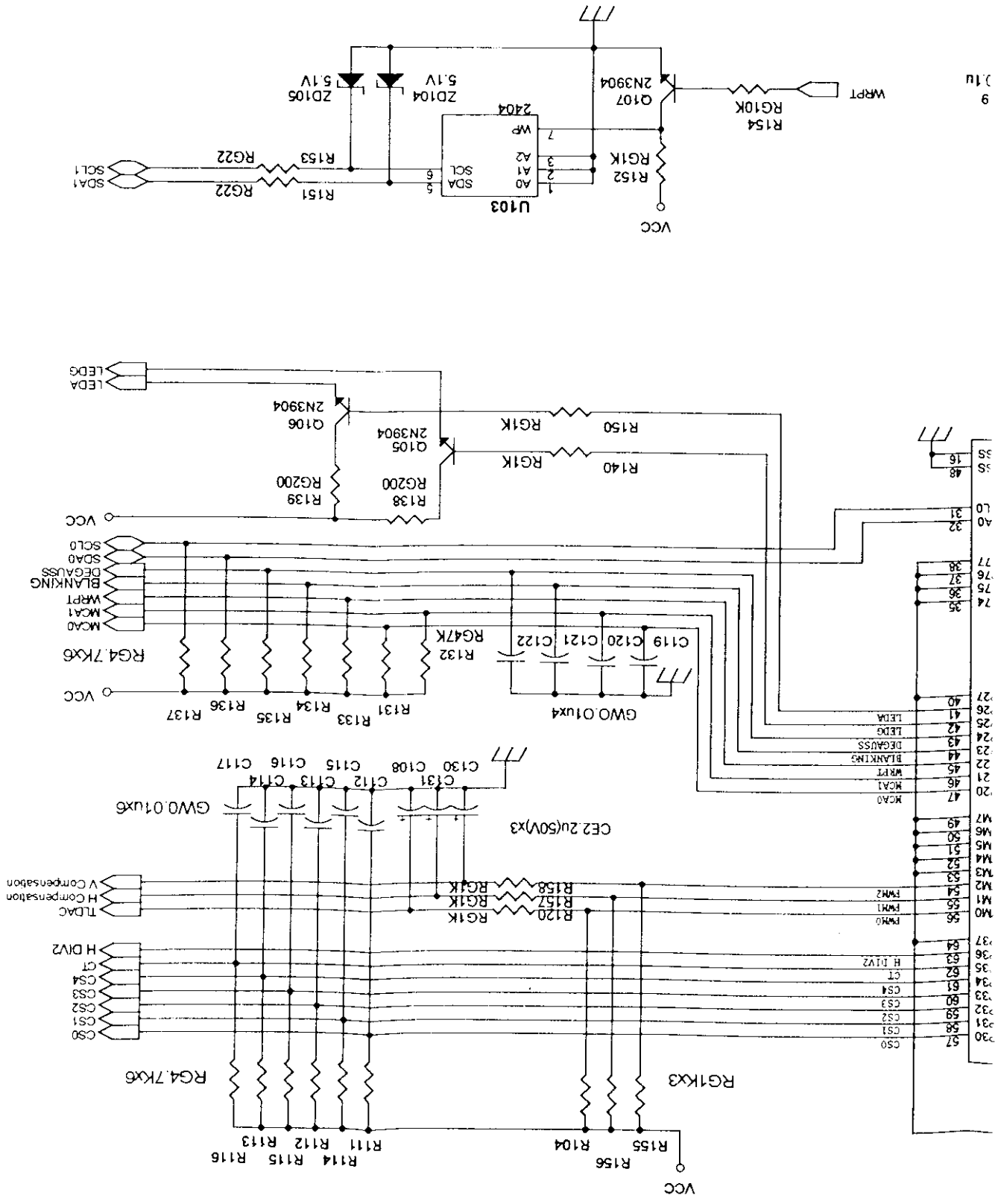
發行  
87.10.13

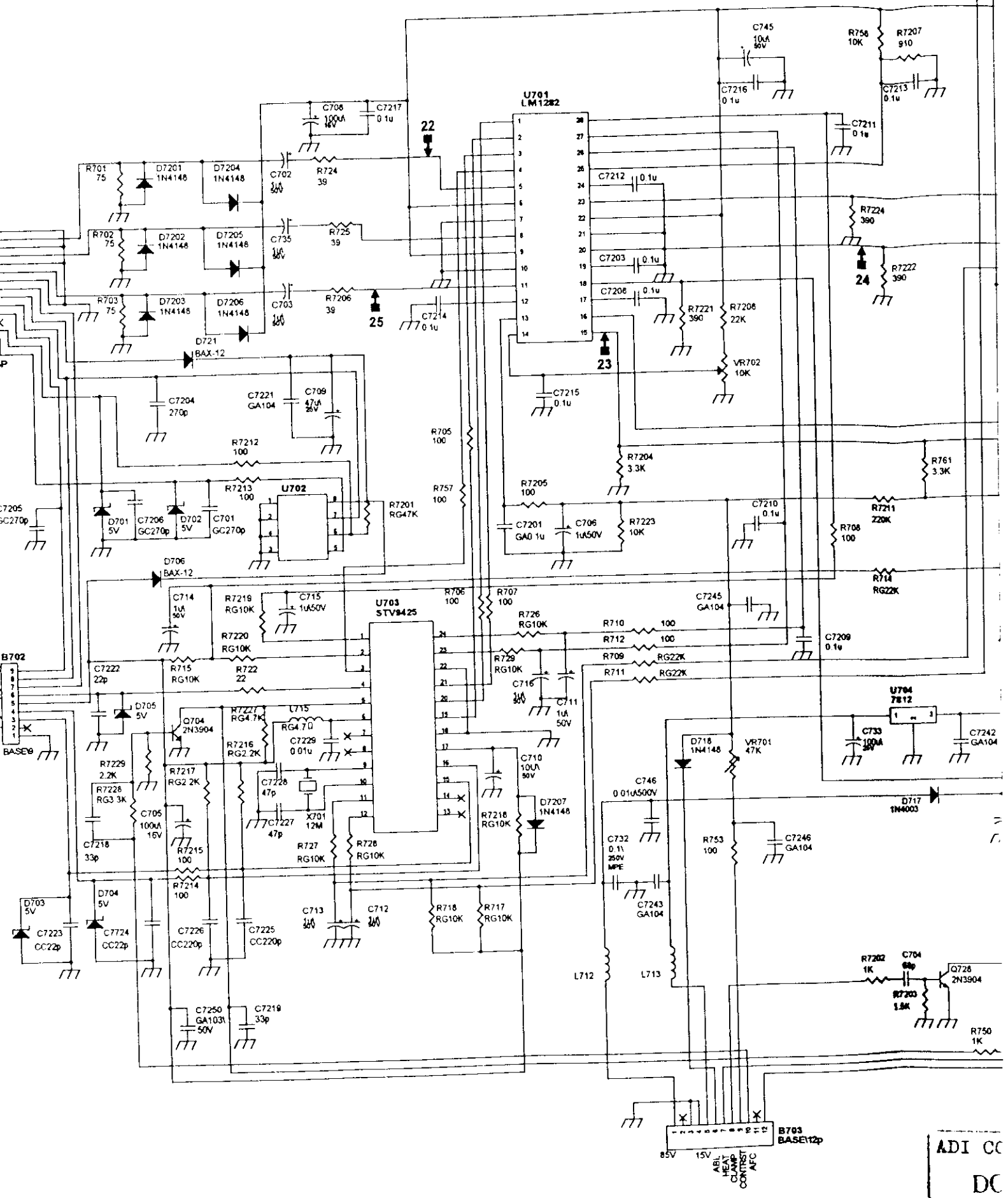


C126 near by pin14 of 74LS32  
C127 near by pin8 of 2404  
C128 near by pin39 of MCU  
C129 near by pin14 of MCU

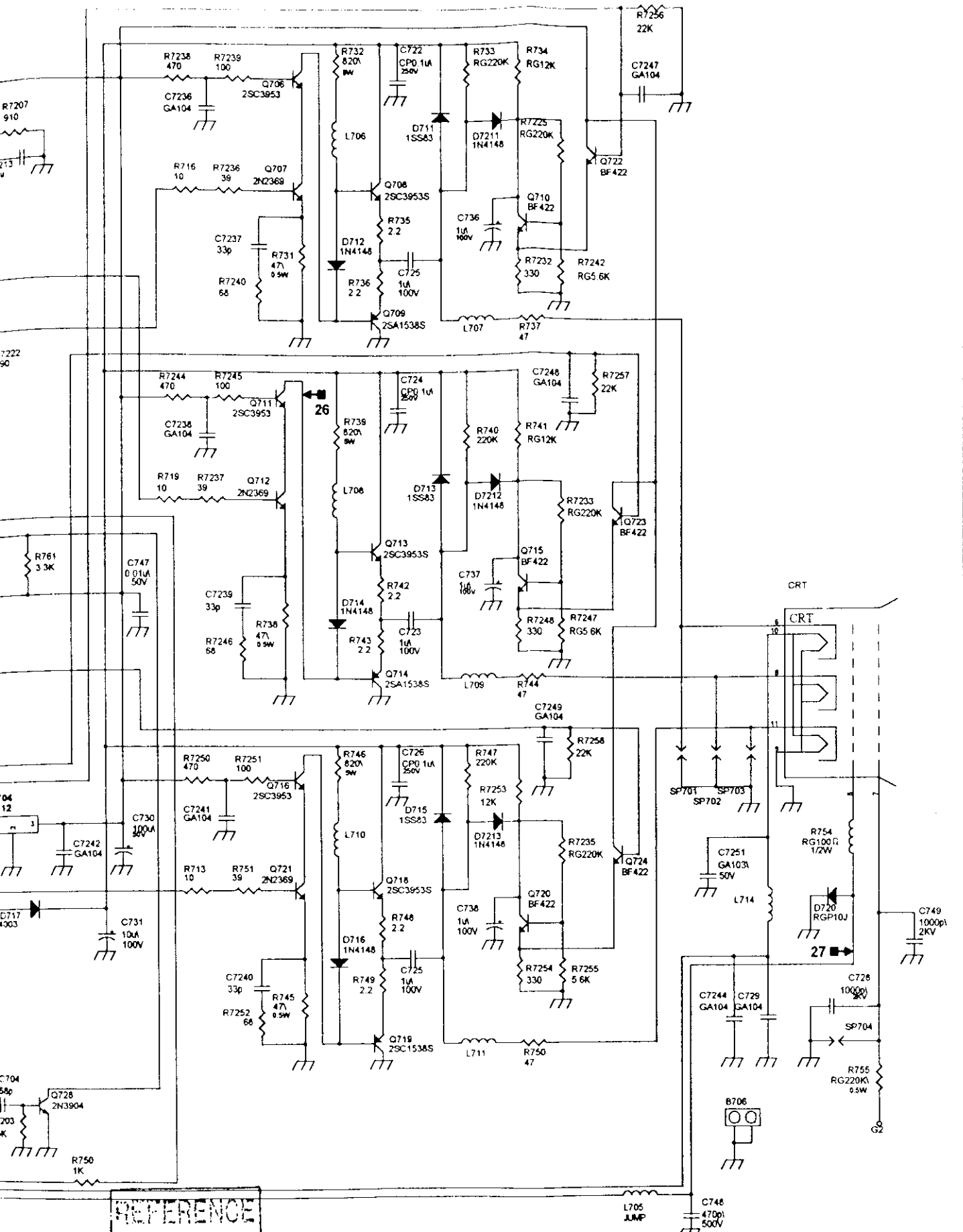


Rev	Size	Date	APVD
A	A3	Monday, August 17, 1998	Borslan, Gu
Document Number	Title	DATE	DATE
B14-167-003	VD-697H (DUO) LOGIC BOARD	8/18/98	8/18/98
		DATE	DATE
	ADI CORP. (CONFIDENTIAL PAPERS)	8/18/98	W. Y. Wang
		DATE	DATE





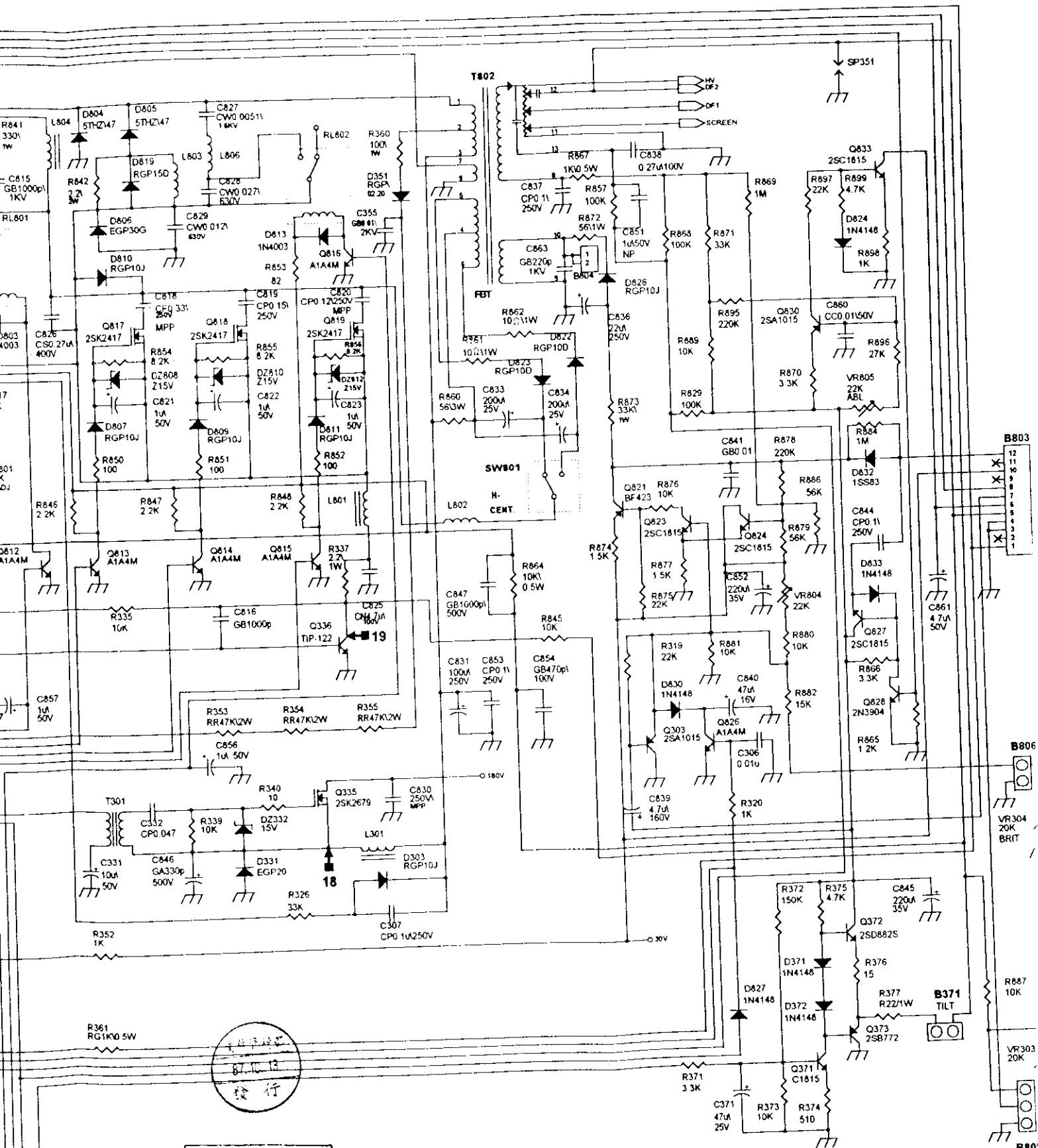
ADI CC  
DC



REFERENCE

ADI CONFIDENTIAL PAPERS  
DO NOT COPY

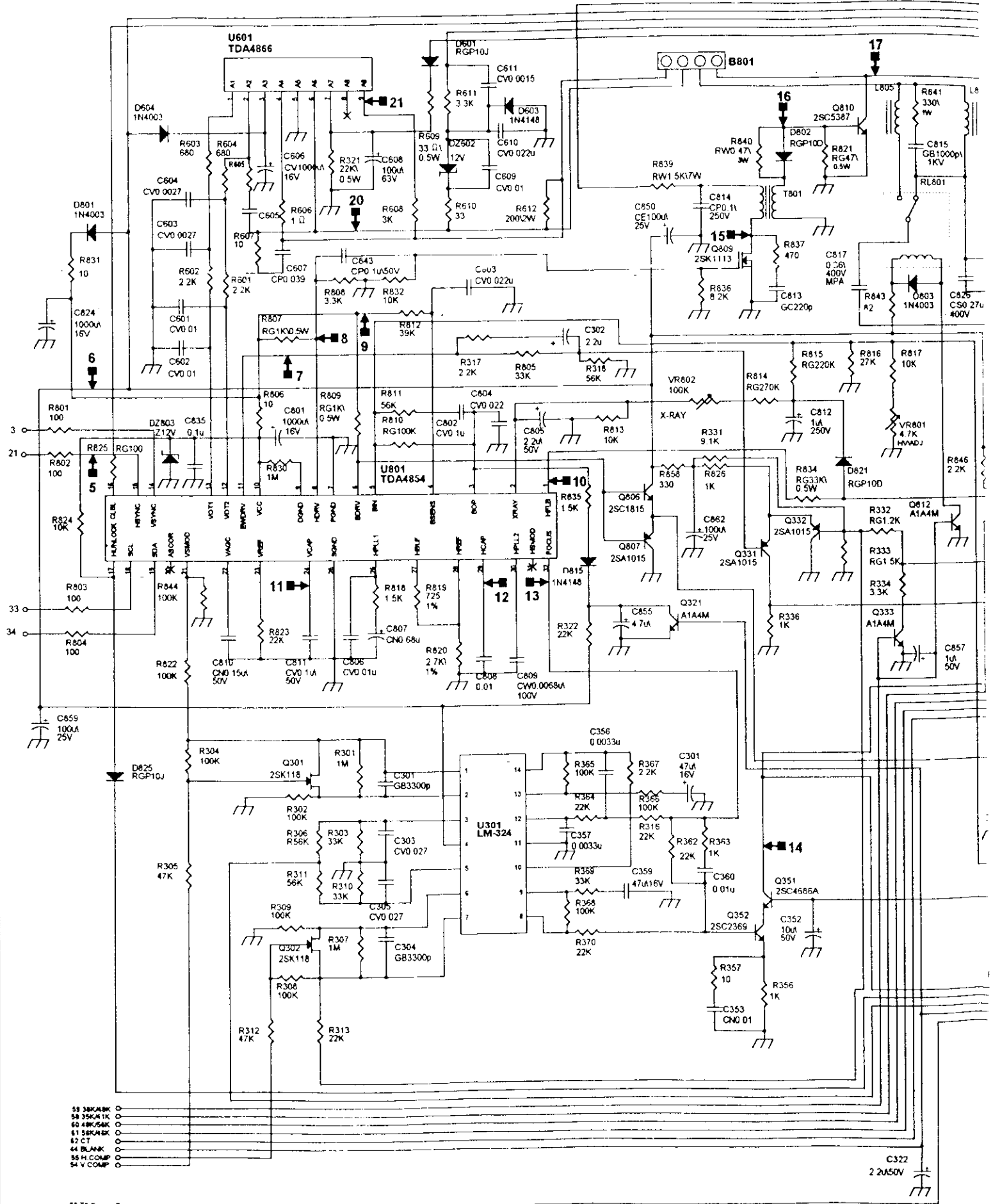
DRAWN <i>W.Y. Wang</i>	DATE <i>10.2.98</i>	ADI CORP. (CONFIDENTIAL PAPERS)	
CHK <i>Doreen Lee</i>	DATE <i>10.2.98</i>	Title VD-697H (DUO) MONITOR CRT BOARD	
REVISED <i>Miss Henry</i>	DATE <i>10.6.98</i>	Size B	Document Number B 14-187-002
		Date Monday, September 28, 1998	Rev B



發行  
 81.10.13  
 REFERENCE

**ADI CONFIDENTIAL PAPERS**  
**DO NOT COPY**

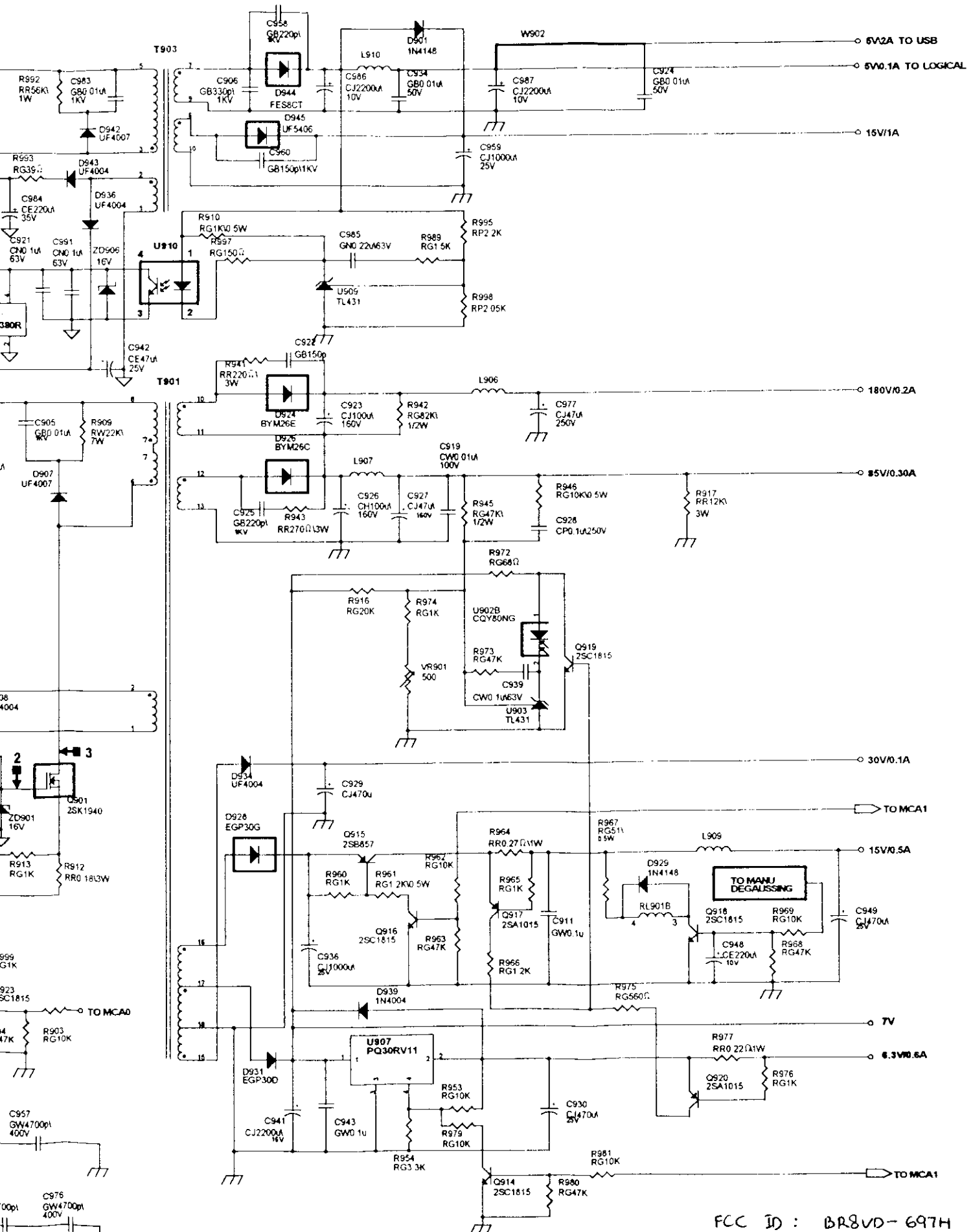
DRAWN W. Y. Wang	DATE 10.2.98	ADI CORP. (CONFIDENTIAL PAP
CHK Renee Lee	DATE 10.2.98	File VD-697H (DUO) MONITOR MAIN BOAR
APVD	DATE	Size A3
		Document Number B 14-167-002



- 53 30KΩ
- 54 35KΩ
- 55 40KΩ
- 56 45KΩ
- 57 50KΩ
- 58 CT
- 59 BLANK
- 60 H. COMP.
- 61 V. COMP.

C322  
2.2μ50V





FCC ID : BR8VD-697H

DRAWN W. Y. Wang	DATE 10.2.98	ADI CORP. (CONFIDENTIAL PAPERS) Part No. VD-697H (DUO) SWITCHING POWER SUPPLY
CHK C. H. Chung	DATE 10.2.98	
APVD	DATE	Part No.

