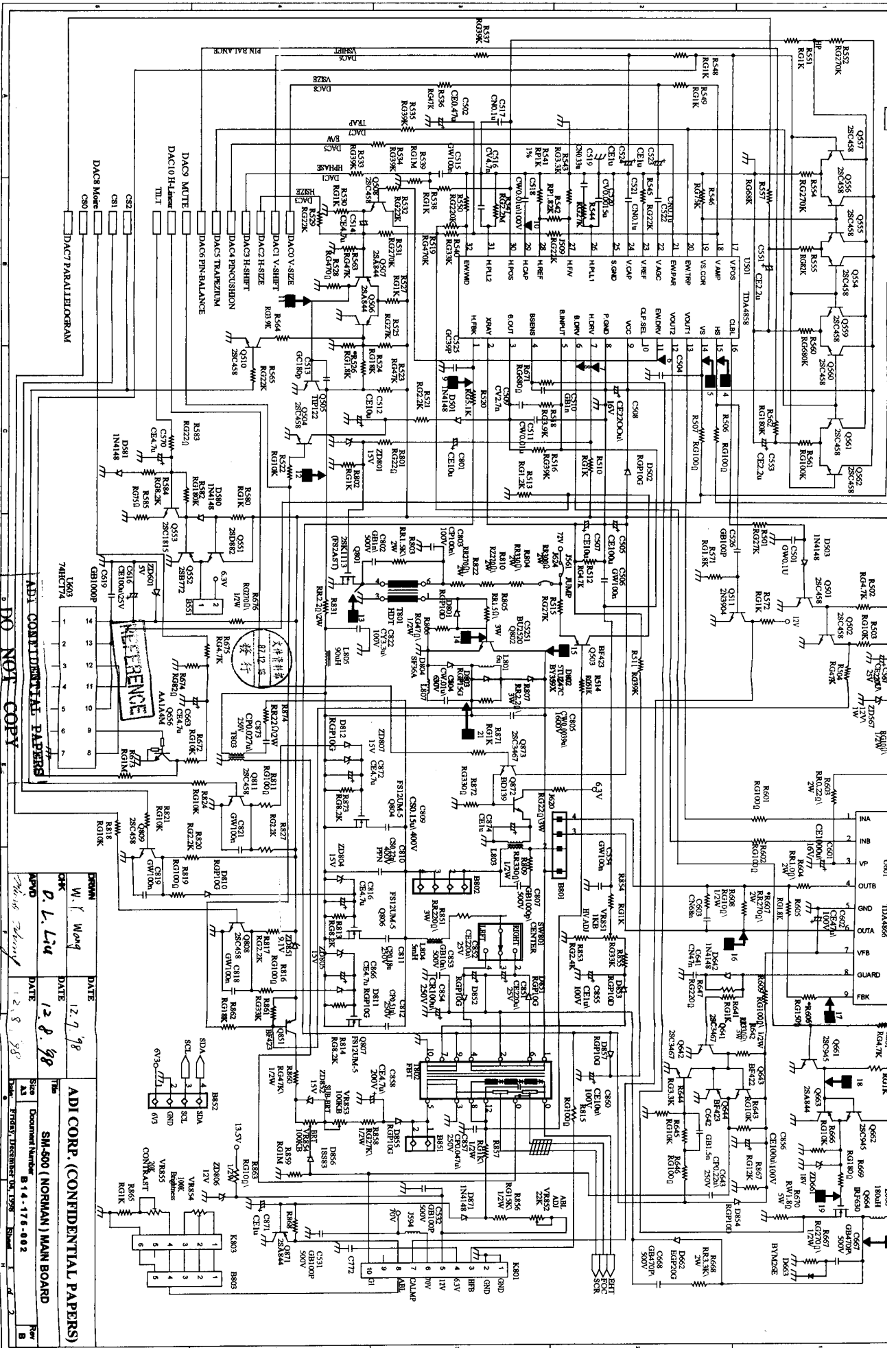


SWRN	DATE	DATE	DATE
W. Y. Wang	12.7.98	12.7.98	12.7.98
ADICORP	12.9.98	12.9.98	12.9.98

ADI CORP. (CONFIDENTIAL PAPERS)  
 THE S.M.400/S.M.400N (NORMAN) POWER BOARD  
 DOCUMENT NUMBER 914-175-001  
 DATE 12/9/98

FCC ID: BR8PE1110



DO NOT COPY

FORM	W. I. Wong	DATE	12.7.98
CHK	D. L. Liu	DATE	12.8.98
APPD		DATE	1.2.99

ADDITIONAL COMMENTS

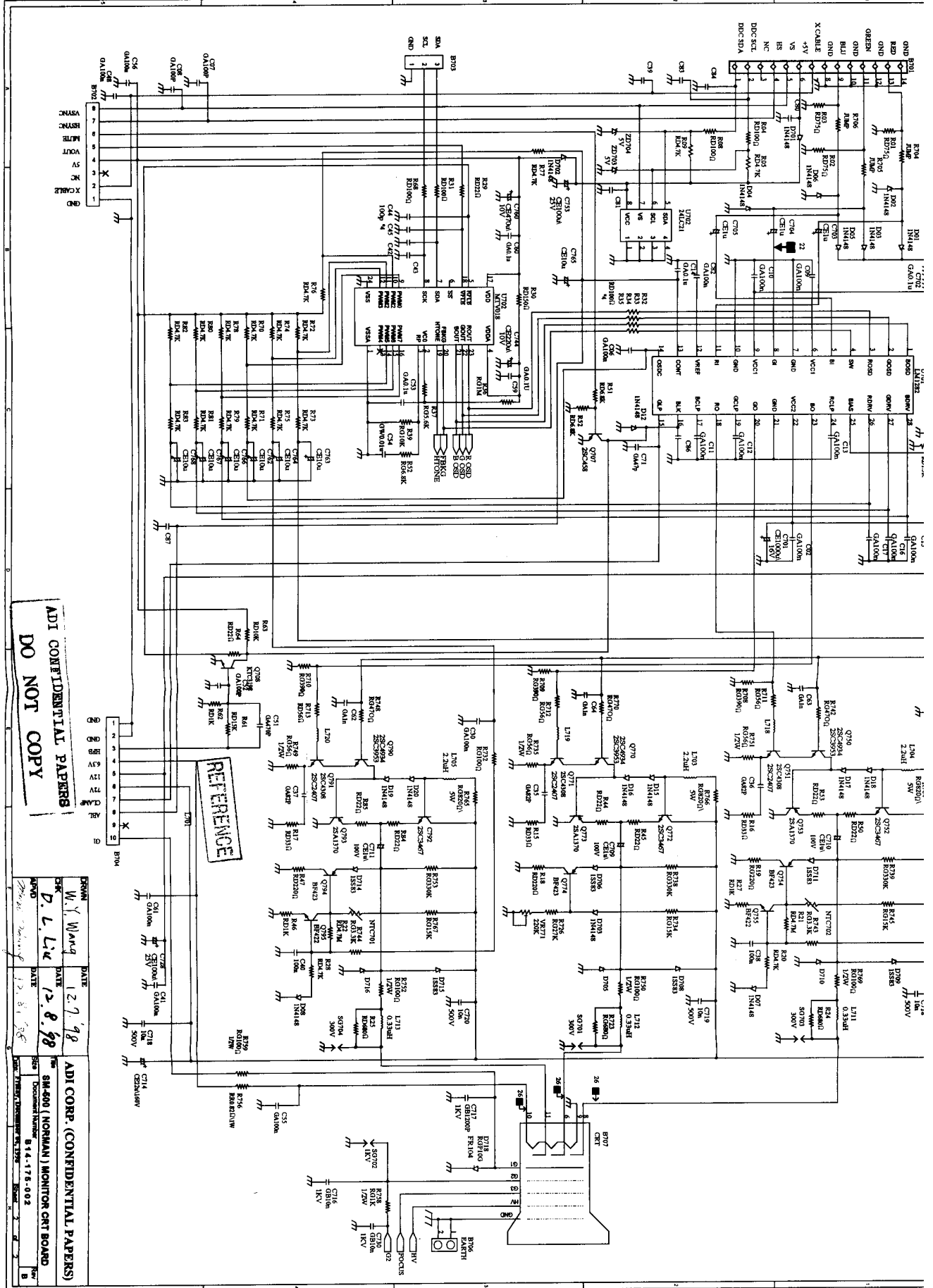
ADJ CORP. (CONFIDENTIAL PAPERS)

Doc. No. SM-500 (NORMAN) MAIN BOARD

Document Number: B 14-178-002

REV. 1

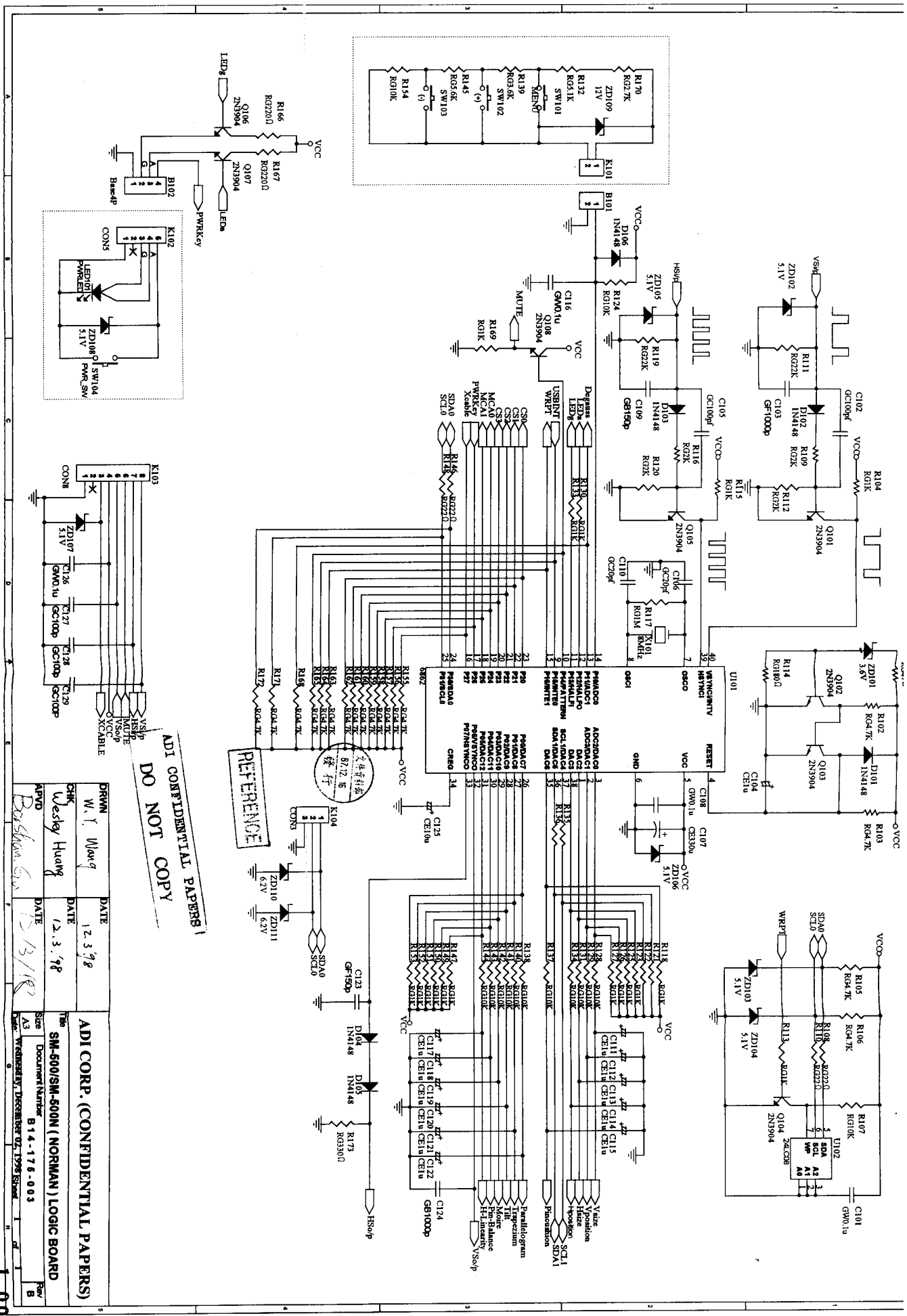
DATE: FEBRUARY, DECEMBER OR 1998



ADI CONFIDENTIAL PAPERS  
 DO NOT COPY

FORM	DATE	DATE
W. J. Ward	12.7.78	
D. L. Liu	12.8.78	

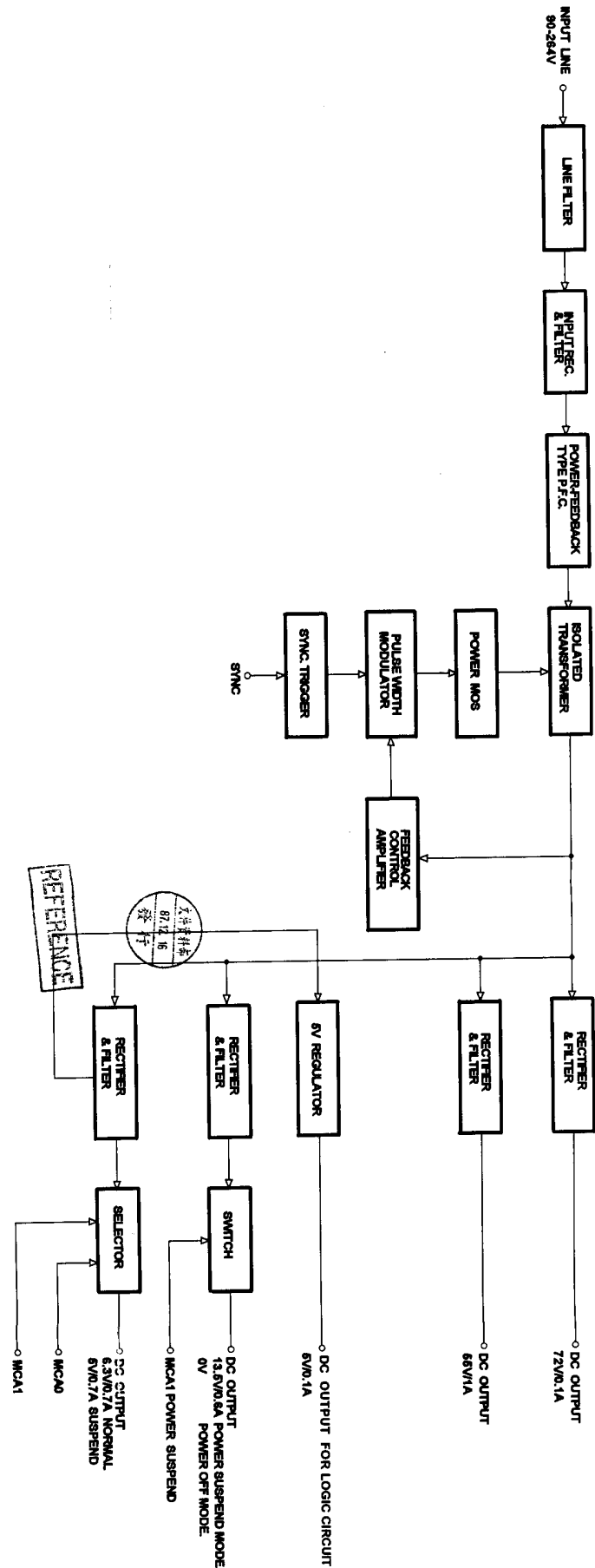
ADI CORP. (CONFIDENTIAL PAPERS)  
 SIM-400 (NORMAN) MONITOR CRT BOARD  
 Doc# Document Number 8144-176-002  
 Rev# Revision 1



**DO NOT COPY**

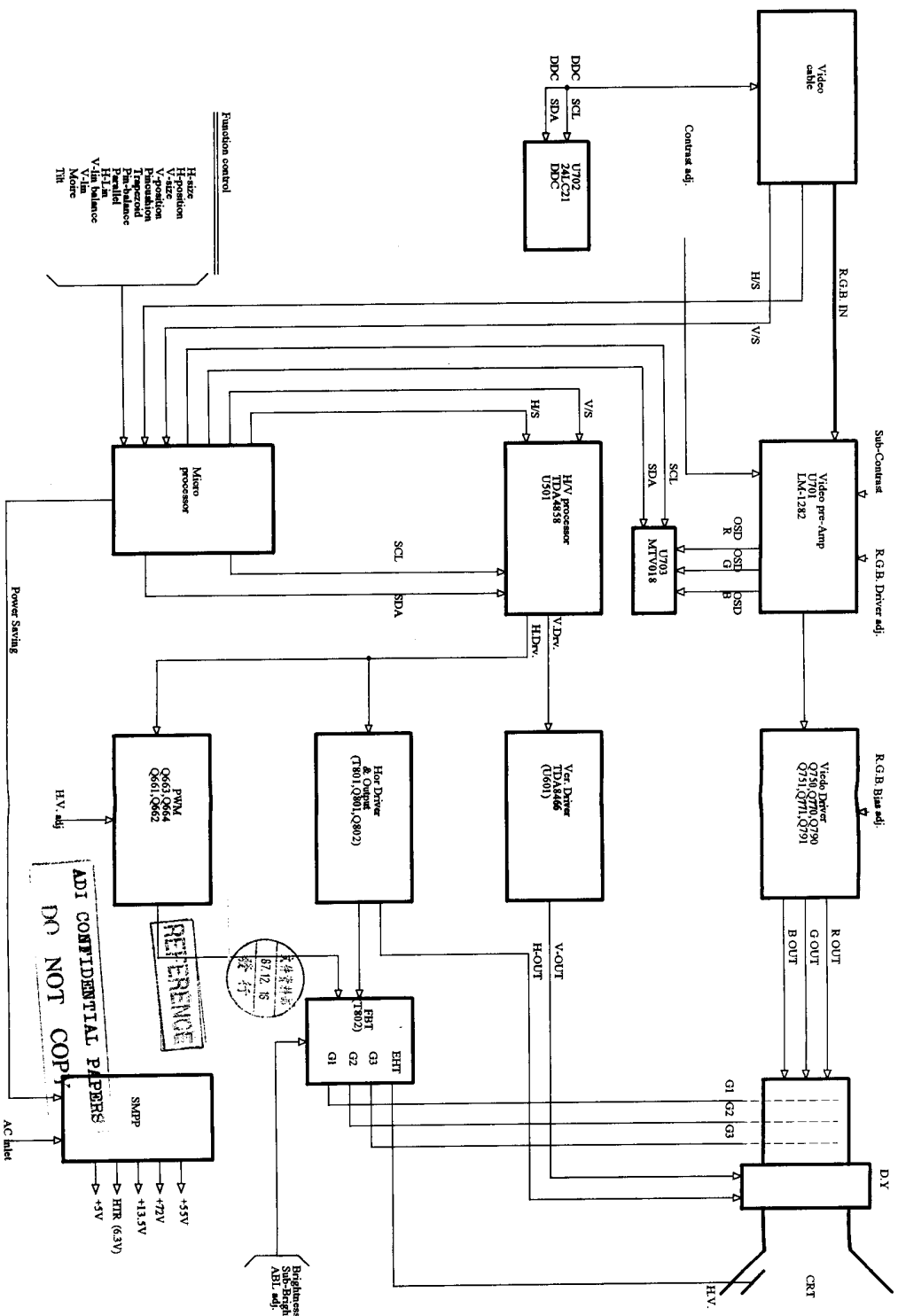
**ADI CONFIDENTIAL PAPERS!**

DRWN	W. T. Wang	DATE	12.3.98
CHK	Wesley Huang	DATE	12.3.98
APVD	<i>Baldwin Gu</i>	DATE	12/3/98
The ADI CORP. (CONFIDENTIAL PAPERS)		Document Number 814-175-003	
Size	A3	Rev	15
Part: WE090997, December 02, 1998 Standard			



ADI CONFIDENTIAL PAPERS  
 DO NOT COPY

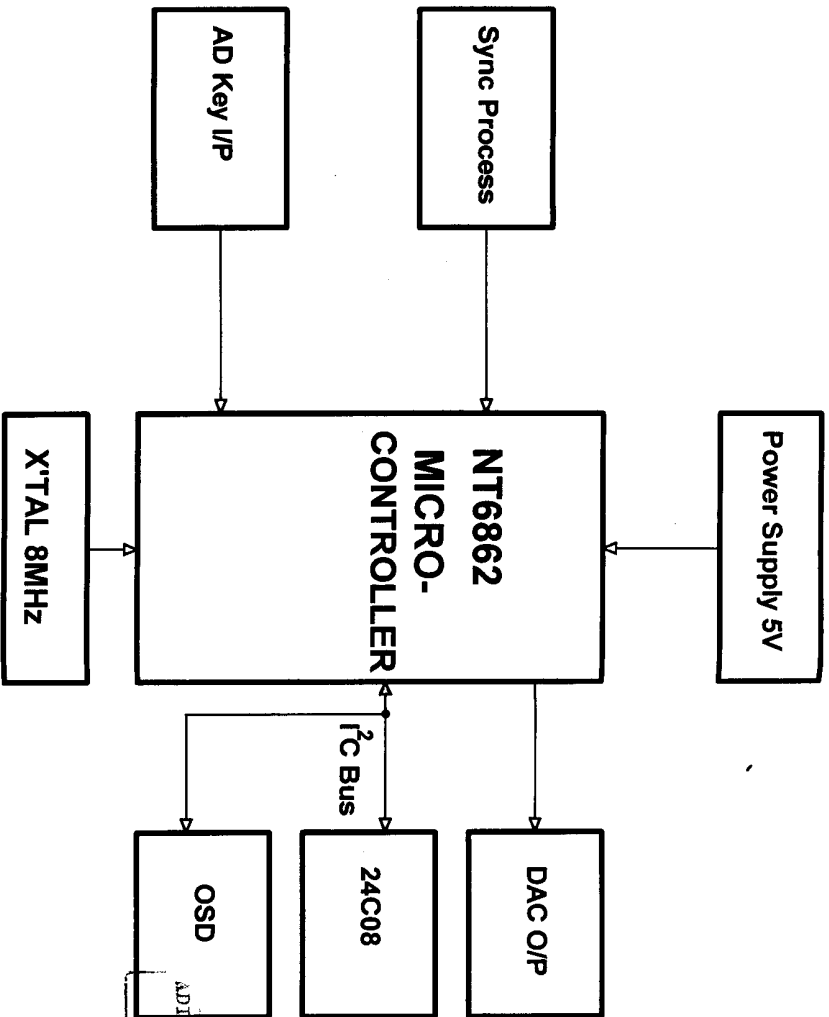
DRAWN W. Y. Wang DATE 10.21.98	DESIGNED Jian-yin Wu DATE 10/21/98	ADI CORP. (CONFIDENTIAL PAPERS) The SM-600 (NORMAN) POWER BLOCK DIAGRAM SM-600V1 Document Number B14-178-001-B VERIFICATION: OCTOBER 21, 1998 13
APPROVED J. Jordan DATE 10/21/98	DATE 10/21/98	Rev A



DRWN	W. Y. Wang	DATE	10.28.98
CHK	D. L. Liu	DATE	10.28.98
APVD	Thomas Zhang	DATE	10.28.98
<b>ADI CORP. (CONFIDENTIAL PAPERS)</b>			
Model: SM-500 (NORMAN) MONITOR BLOCK DIAGRAM			
Size	A3	Document Number	B-14-176-002-B
Rev	A	Doc. Worksheet No.	06008 ZL1795

**DO NOT COPY**

REFERENCE



REFERENCE

ADI CONFIDENTIAL PAPERS  
DO NOT COPY

DRWN	DATE	CHK	DATE	APVD	DATE
W. J. Wang	10.28 '98	Wesley Huang	10.28 '98	S. L. Kuok	10.28 '98

Title		Size	Date	Sheet	of
ADI CORP. (CONFIDENTIAL PAPERS) SM-500/SM-500N LOGIC BLOCK DIAGRAM		A4	Tuesday, October 27, 1998	1	1
Document Number		Rev			
B 14-176-003-B		A			