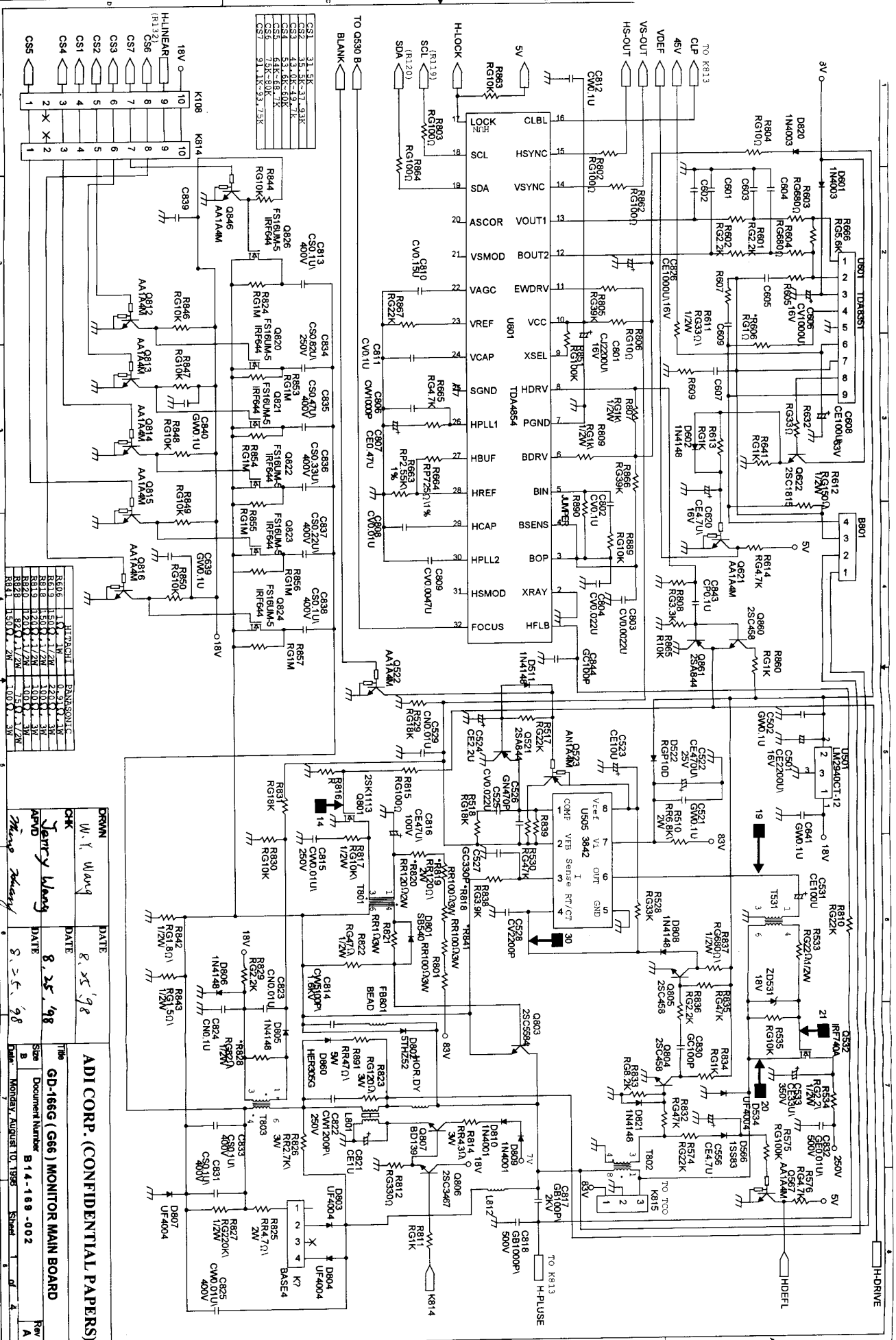


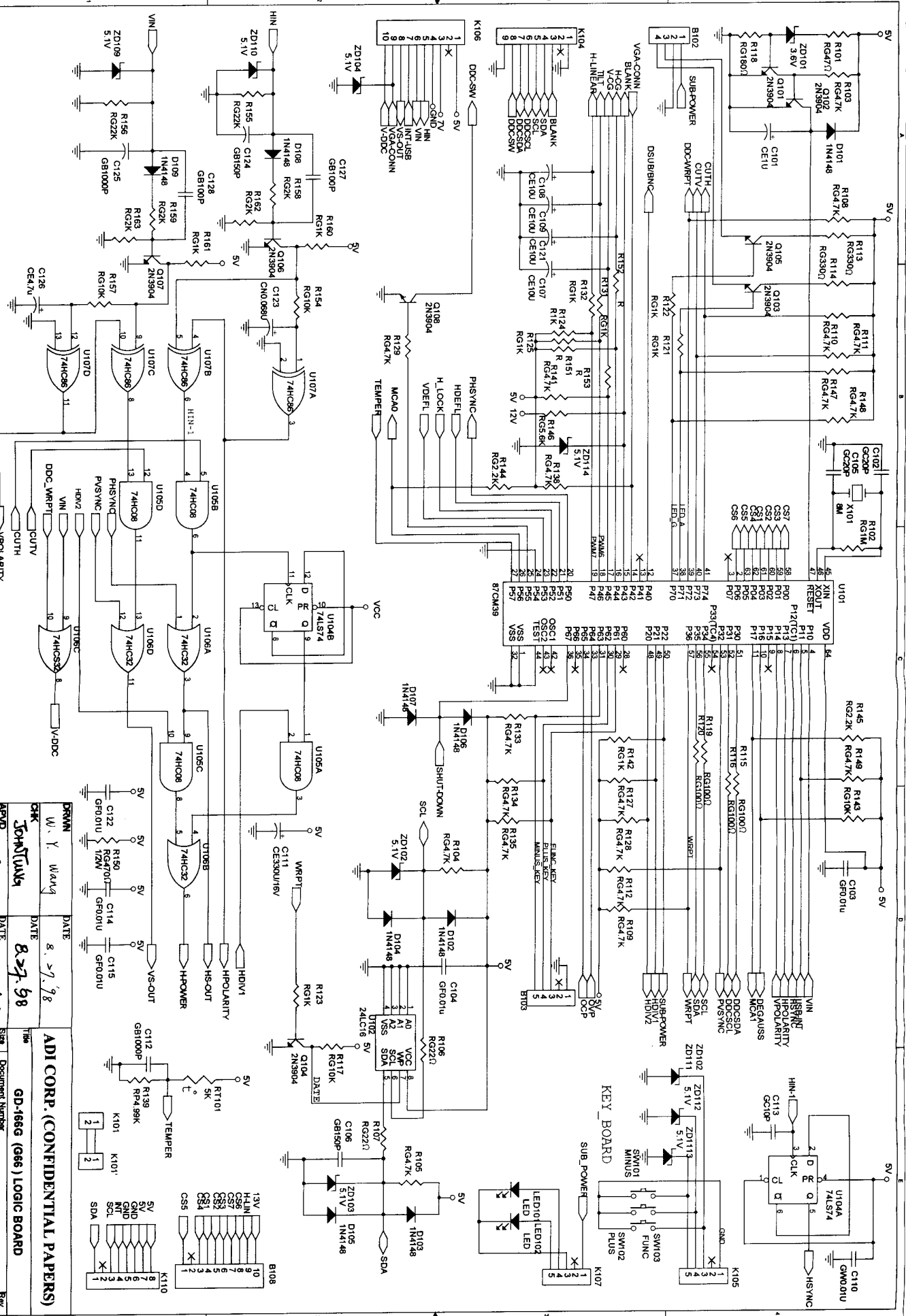
DRWN	W. Y. Wang	DATE	8.25.98
CHK	Jerry Wang	DATE	8.25.98
APVD	Thao Khany	DATE	8.25.98
ADI CORP. (CONFIDENTIAL PAPERS)			
GD-166G (G66) MONITOR PWM BOARD			
Size	Document Number	B 14-168-002	Rev
B	Tuesday August 25, 1998	Sheet	3 of 3

- 1 TO R822 (K. B)
- 2 ENH OUT
- 3 H. V. - FBK
- 4 GND
- 5 HOLD DOWN
- 6 18V
- 7 DRIVE
- 8 BLANK
- 9 TO R891



Part No.	Quantity	Manufacturer
R806	1	HITACHI PANASONIC
R807	1	HITACHI PANASONIC
R808	1	HITACHI PANASONIC
R809	1	HITACHI PANASONIC
R810	1	HITACHI PANASONIC
R811	1	HITACHI PANASONIC
R812	1	HITACHI PANASONIC
R813	1	HITACHI PANASONIC
R814	1	HITACHI PANASONIC
R815	1	HITACHI PANASONIC
R816	1	HITACHI PANASONIC
R817	1	HITACHI PANASONIC
R818	1	HITACHI PANASONIC
R819	1	HITACHI PANASONIC
R820	1	HITACHI PANASONIC
R821	1	HITACHI PANASONIC
R822	1	HITACHI PANASONIC
R823	1	HITACHI PANASONIC
R824	1	HITACHI PANASONIC
R825	1	HITACHI PANASONIC
R826	1	HITACHI PANASONIC
R827	1	HITACHI PANASONIC
R828	1	HITACHI PANASONIC
R829	1	HITACHI PANASONIC
R830	1	HITACHI PANASONIC
R831	1	HITACHI PANASONIC
R832	1	HITACHI PANASONIC
R833	1	HITACHI PANASONIC
R834	1	HITACHI PANASONIC
R835	1	HITACHI PANASONIC
R836	1	HITACHI PANASONIC
R837	1	HITACHI PANASONIC
R838	1	HITACHI PANASONIC
R839	1	HITACHI PANASONIC
R840	1	HITACHI PANASONIC
R841	1	HITACHI PANASONIC
R842	1	HITACHI PANASONIC
R843	1	HITACHI PANASONIC
R844	1	HITACHI PANASONIC
R845	1	HITACHI PANASONIC
R846	1	HITACHI PANASONIC
R847	1	HITACHI PANASONIC
R848	1	HITACHI PANASONIC
R849	1	HITACHI PANASONIC
R850	1	HITACHI PANASONIC
R851	1	HITACHI PANASONIC
R852	1	HITACHI PANASONIC
R853	1	HITACHI PANASONIC
R854	1	HITACHI PANASONIC
R855	1	HITACHI PANASONIC
R856	1	HITACHI PANASONIC
R857	1	HITACHI PANASONIC
R858	1	HITACHI PANASONIC
R859	1	HITACHI PANASONIC
R860	1	HITACHI PANASONIC
R861	1	HITACHI PANASONIC
R862	1	HITACHI PANASONIC
R863	1	HITACHI PANASONIC
R864	1	HITACHI PANASONIC
R865	1	HITACHI PANASONIC
R866	1	HITACHI PANASONIC
R867	1	HITACHI PANASONIC
R868	1	HITACHI PANASONIC
R869	1	HITACHI PANASONIC
R870	1	HITACHI PANASONIC
R871	1	HITACHI PANASONIC
R872	1	HITACHI PANASONIC
R873	1	HITACHI PANASONIC
R874	1	HITACHI PANASONIC
R875	1	HITACHI PANASONIC
R876	1	HITACHI PANASONIC
R877	1	HITACHI PANASONIC
R878	1	HITACHI PANASONIC
R879	1	HITACHI PANASONIC
R880	1	HITACHI PANASONIC
R881	1	HITACHI PANASONIC
R882	1	HITACHI PANASONIC
R883	1	HITACHI PANASONIC
R884	1	HITACHI PANASONIC
R885	1	HITACHI PANASONIC
R886	1	HITACHI PANASONIC
R887	1	HITACHI PANASONIC
R888	1	HITACHI PANASONIC
R889	1	HITACHI PANASONIC
R890	1	HITACHI PANASONIC
R891	1	HITACHI PANASONIC
R892	1	HITACHI PANASONIC
R893	1	HITACHI PANASONIC
R894	1	HITACHI PANASONIC
R895	1	HITACHI PANASONIC
R896	1	HITACHI PANASONIC
R897	1	HITACHI PANASONIC
R898	1	HITACHI PANASONIC
R899	1	HITACHI PANASONIC
R900	1	HITACHI PANASONIC

DRAWN: W. Y. Wang
 CHECKED: Nancy Wang
 DATE: 8-25-98
 DATE: 8-25-98
ADI CORP. (CONFIDENTIAL PAPERS)
 The ADI-166G (G66) MONITOR MAIN BOARD
 Document Number: B 14-169-002
 Revision: A
 Date: Monday, August 10, 1998
 Sheet 1 of 4



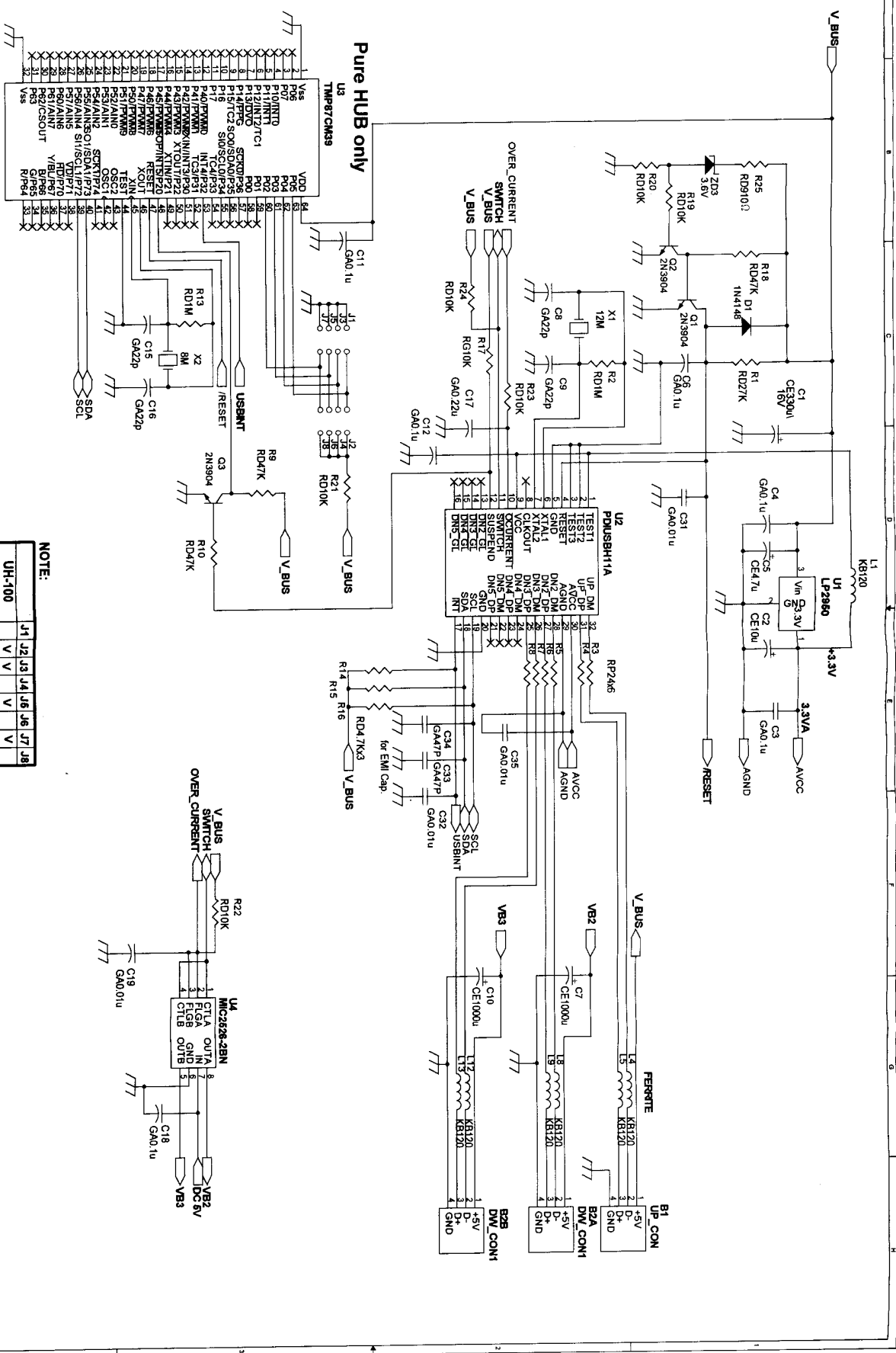
PRVN	DATE	DATE	DATE
W. Y. Wadg	8-27-98	8-27-98	8-27-98
John Tully			
Randall G.	8/20/1988		

ADI CORP. (CONFIDENTIAL PAPERS)

GD-1686 (666) LOGIC BOARD

Document Number: B14-1686-003

Rev A



NOTE:

	J1	J2	J3	J4	J6	J6	J7	J8
UH-100	V	V	V	V	V	V	V	V
UH-200	V	V	V	V	V	V	V	V
SM-996	V	V	V	V	V	V	V	V

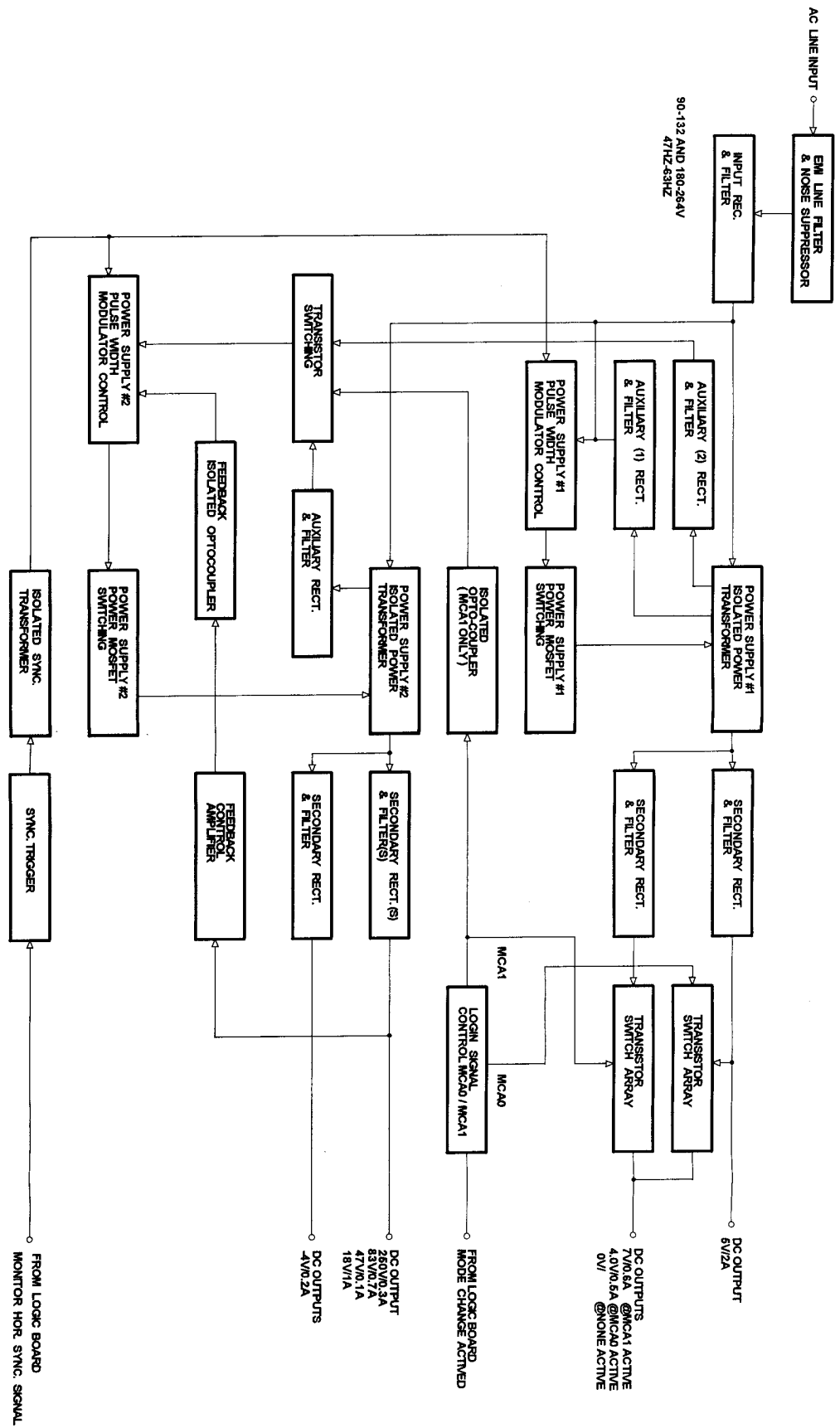
J7	Self-Powered
J8	Bus-Powered
J6	4 Downstream Ports
J6	2 Downstream Ports

DATE	BY	DESCRIPTION
8.27.98	W. Y. Wang	ADDITIONAL PAPER
8.27.98	John Tuwa	ADDITIONAL PAPER
8/27/98	Rev. A. C. I.	ADDITIONAL PAPER

ADDITIONAL PAPER

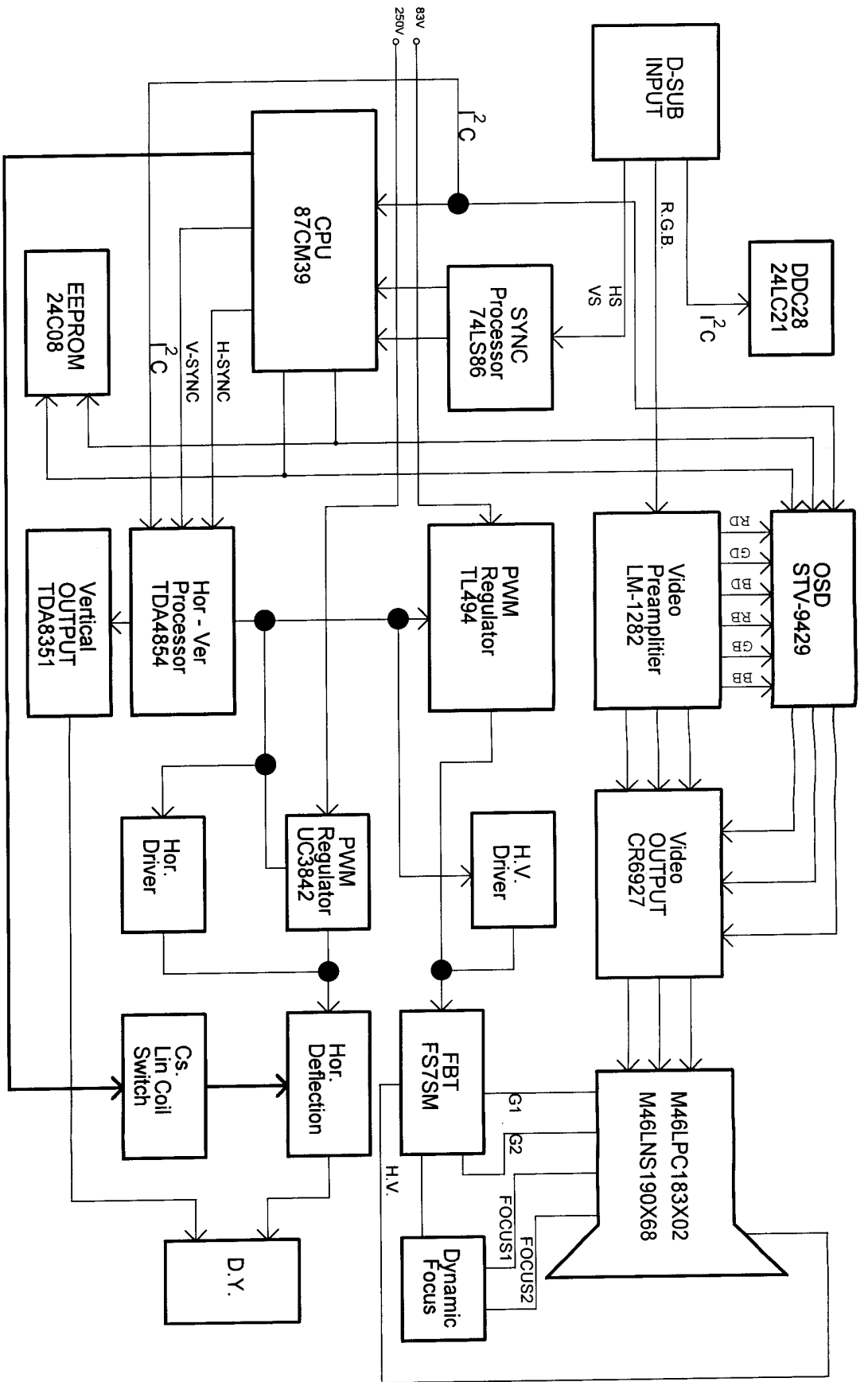
ADDITIONAL PAPER

ADDITIONAL PAPER

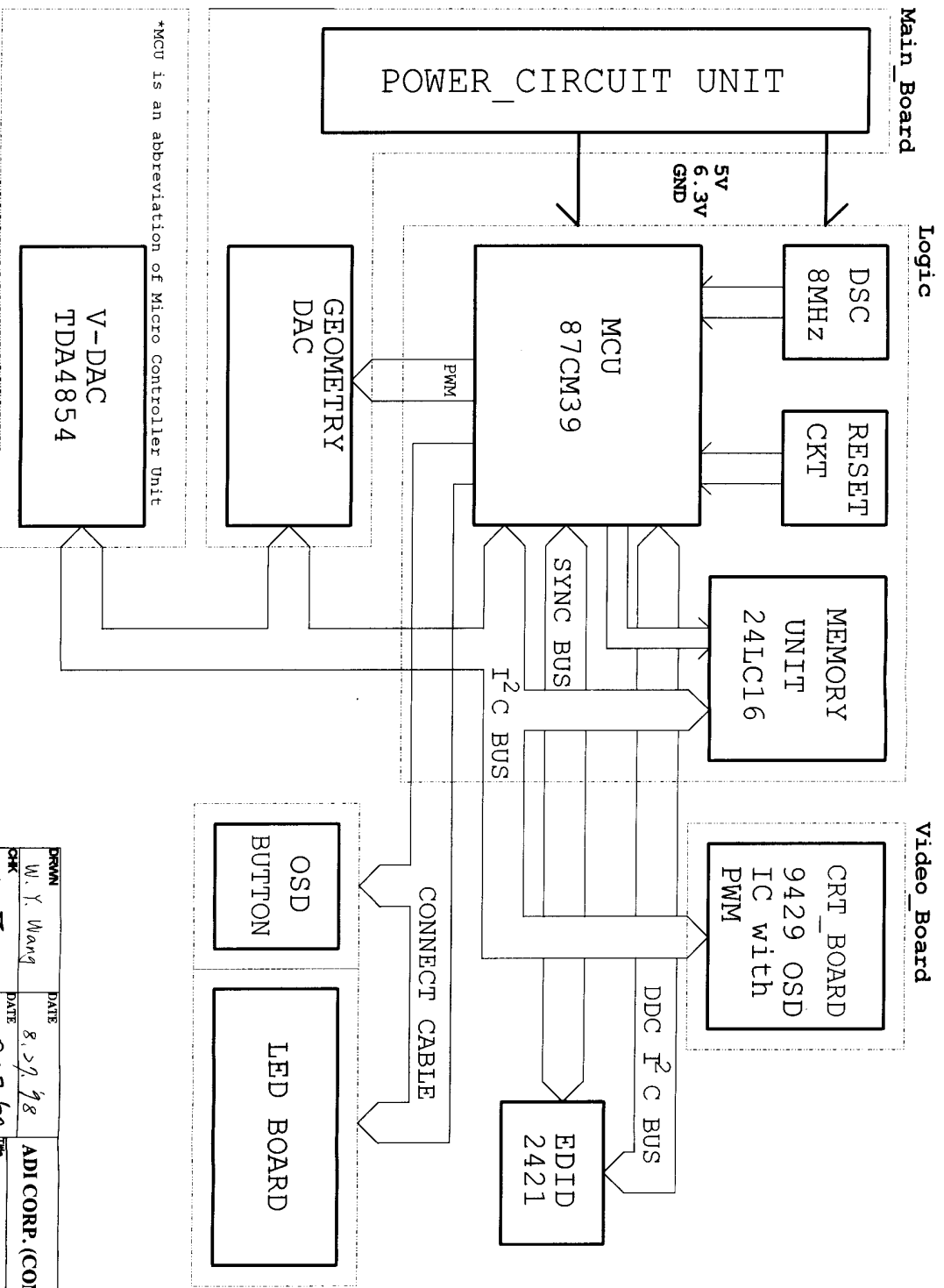


90-132 AND 180-264V
47HZ-63HZ

DRAWN	DATE	ADJ CORP. (CONFIDENTIAL PAPERS)
W. Y. Wang	8.25 '98	
CHEK	DATE	
J. I. Chang	8.26 '98	
APVD	DATE	
T.D. Lee	8.26.98	
Title		GD-1866 (666) S.P.S. BLOCK DIAGRAM
Size	Document Number	B14-189-001-B
A3	Rev	A

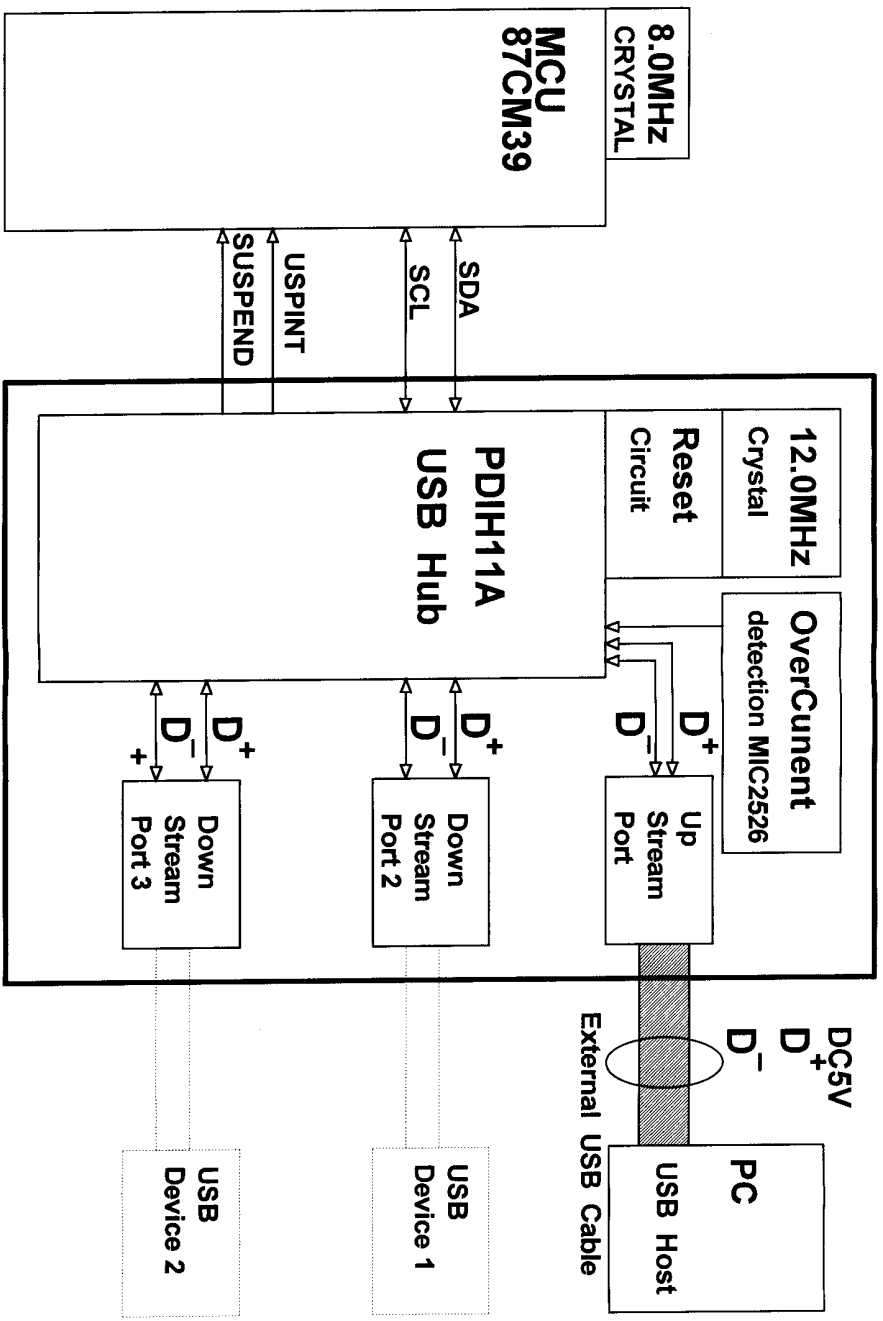


DATE	DATE	DATE	DATE
8.25.98	8.25.98	8.25.98	8.25.98
W. Y. Wang	Jerry Wang	Jerry Wang	Jerry Wang
CHK	APVD	CHK	APVD
ADI CORP. (CONFIDENTIAL PAPERS)			
The GD-166G (G66) MONITOR BLOCK DIAGRAM			
Doc#	Rev	Doc#	Rev
B14-166-002-B	A	B14-166-002-B	A



*MCU is an abbreviation of Micro Controller Unit

DRWN	W. Y. Wang	DATE	8.27.98	ADI CORP. (CONFIDENTIAL PAPERS)
CHK	John Turk	DATE	8.27.98	
APP'D	B. S. Am. Gu	DATE	8/27/98	
Title				GD-166G (G66) LOGIC BLOCK DIAGRAM
Document Number				814-169-003-B
Version				1
Rev				A



DRWN	W. Y. Wang	DATE	8-27-98	ADI CORP. (CONFIDENTIAL PAPERS)	
CHK	John Tunka	DATE	8-27-98	GD-1666 (666) USB HUB BLOCK DIAGRAM	
APVD	D. G. ...	DATE	8/28/98	Size	Rev
				A4	A
				Document Number	
				B 14-169-003-B	