

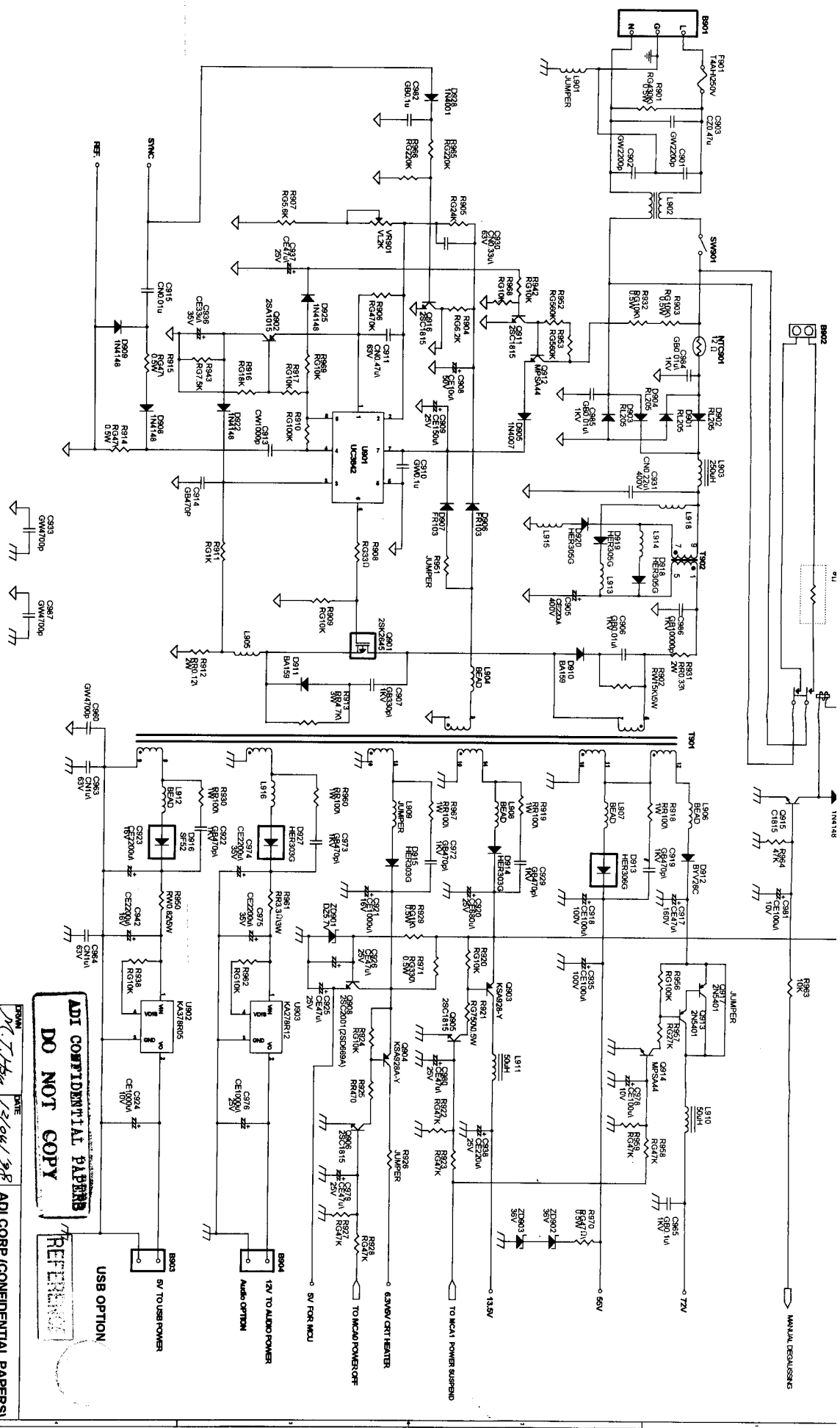
\* MCU is an abbreviation of Micro Controller Unit.

DRWN	M.T.Hsu	DATE	12/04/98
CHK	Boson Chen	DATE	12/7/1998
APVD	Bar Shau. Gu	DATE	12/7/1998

ADI CONFIDENTIAL PAPERS  
DO NOT COPY

ADI CORP.(CONFIDENTIAL PAPERS)

Title	PD - 15P+ (5P+) LOGIC BLOCK DIAGRAM
Size	Document Number B 14-168-003-B
Date	Thursday, November 26, 1998
Sheet	1 of 1



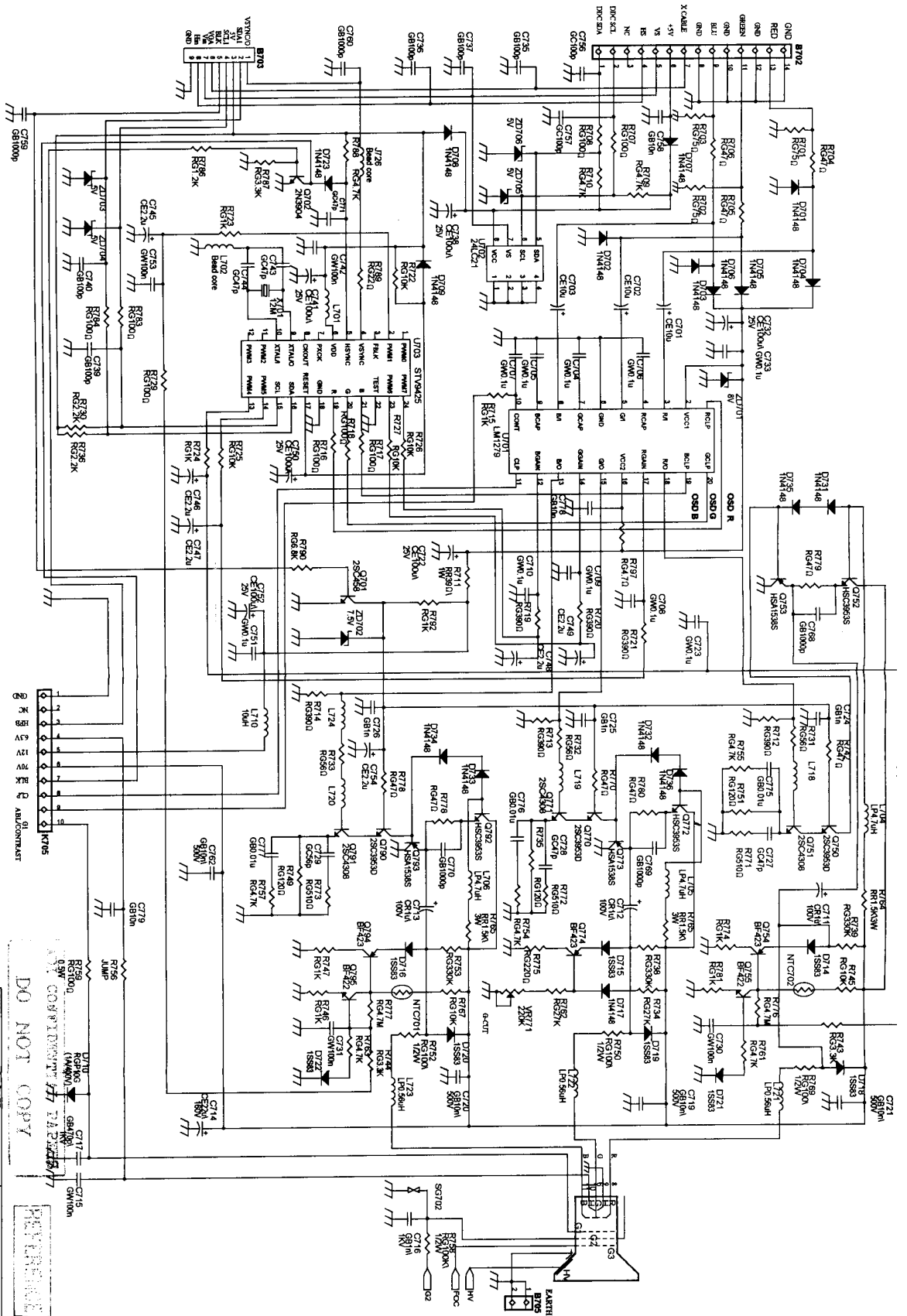
REV	DATE	BY	CHK
1	12/01/98	M. J. Hsu	
2	12/17/98	Chang-Hua	
3	12/01/98	J.S.P.	

**ADI CONFIDENTIAL PAPERS**  
**DO NOT COPY**  
**REFERENCE**

ADDITIONAL INFORMATION: ADI CONFIDENTIAL PAPERS  
 USB OPTION  
 5V TO USB POWER  
 12V TO AUDIO POWER  
 TO MCAJ POWER OFF  
 TO MCAJ POWER SUPPLY  
 6.3V/6.0V CRT HEATER  
 13.5V

Fcc ID = BR8CM700  
 7.03





DATE: 12/04/78  
 DATE: 12/18/78  
 DATE: 12/18/78

ADDITIONAL INFORMATION: ADI CORP. (CONFIDENTIAL PAPERS)  
 PD-16P+ (6P+) MONITOR CRT BOARD  
 Component Number: B-14-168-002

DO NOT COPY

REVISIONS

7.03

