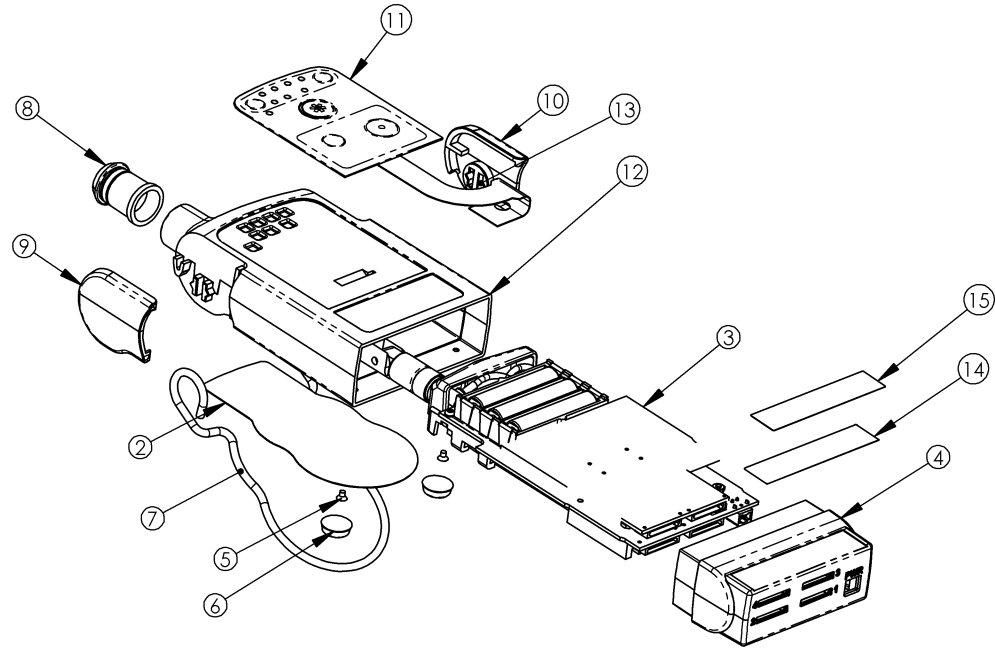



VITALCOM INCORPORATED PROPRIETARY RIGHTS ARE INCLUDED IN THE INFORMATION DISCLOSED HEREIN. NEITHER THIS DOCUMENT NOR THE INFORMATION DISCLOSED HEREIN SHALL BE REPRODUCED OR TRANSFERRED TO OTHER DOCUMENTS OR USED OR DISCLOSED TO OTHERS FOR MANUFACTURING OR FOR ANY OTHER PURPOSE EXCEPT AS SPECIFICALLY AUTHORIZED IN WRITING BY VITALCOM INCORPORATED.

REVISION HISTORY			
REV	DESCRIPTION	DCR #	REVISED BY/DATE

NOTES: UNLESS OTHERWISE SPECIFIED

1. All assembly procedures shall conform to "VitalCom Workmanship Standards" Document #900365.
2. Assembly to meet requirements of IPX1.



		UNLESS OTHERWISE SPECIFIED DIMENSIONS ARE IN INCHES TOLERANCES ARE:			APPROVALS		 VITAL COM 15222 Del Amo Avenue, Tustin, CA 92780 (714) 546-0147 FAX (714) 546-0084				
		FRACTIONS ± 1/8	DECIMALS .XX ± .03 .XXX ± .010	ANGLES ± 5°	SIGNATURES	DATE				Generic Assembly DT-700X	
		MATERIAL <material>			DRAWN DSKimball		20000921		SIZE B		
		FINISH <finish>			CHECKED BY						
NEXT ASSY		USED ON		ENGINEERING					SCALE 1:1 SHEET 1 of 1		
APPLICATION FOR INFORMATION ONLY		DO NOT SCALE DRAWING			DOCUMENT CONTROL RELEASE						

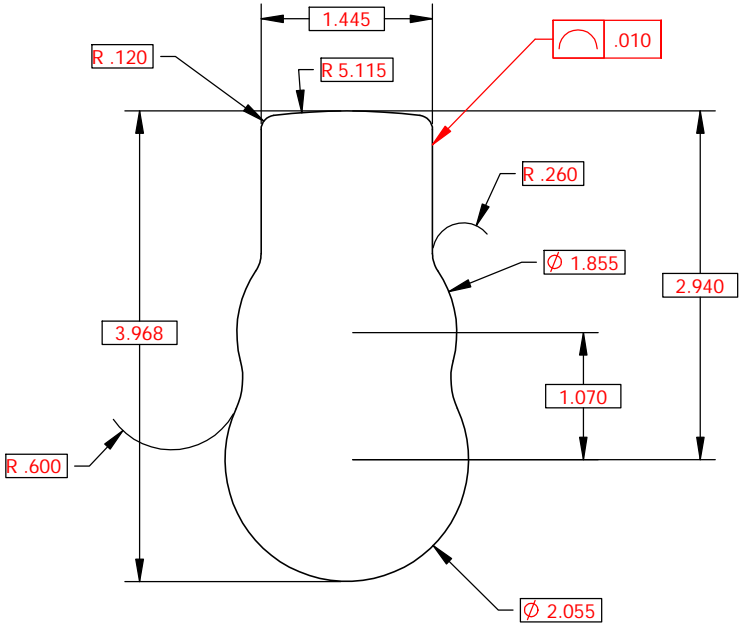
REV **A**

VITALCOM INCORPORATED PROPRIETARY RIGHTS ARE INCLUDED IN THE INFORMATION DISCLOSED HEREIN. NEITHER THIS DOCUMENT NOR THE INFORMATION DISCLOSED HEREIN SHALL BE REPRODUCED OR TRANSFERRED TO OTHER DOCUMENTS OR USED OR DISCLOSED TO OTHERS FOR MANUFACTURING OR FOR ANY OTHER PURPOSE EXCEPT AS SPECIFICALLY AUTHORIZED IN WRITING BY VITALCOM INCORPORATED.

REVISION HISTORY			
REV	DESCRIPTION	DCR #	REVISED BY/DATE
B	Add dimensions and notes 1 and 6	00-402A	

NOTES: UNLESS OTHERWISE SPECIFIED

1. Interpret dimensions and tolerances per ASME Y14.5M-1994.
2. Material: Polyester, Autotex 2V8 0.008 thick.
3. Adhesive: 3M 468 MP
4. Artwork per table. Use VitalCom artwork for colors, graphics, and fonts.
5. Background color: Match Bayer Makroblend EL700, color #3735
6. This drawing to be used in conjunction with supplied 3D data file.



-002	DT-7001	12111102-202.ai
-001	DT-7000	12111102-201.ai
- #	Version	Artwork

		UNLESS OTHERWISE SPECIFIED DIMENSIONS ARE IN INCHES TOLERANCES ARE:			APPROVALS		 VITALCOM 15222 Del Amo Avenue, Tustin, CA 92780 (714) 546-0147 FAX (714) 546-0084 Label, Rear, DT-700X	
		FRACTIONS ± 1/8	DECIMALS .XX ± .03 .XXX ± .010	ANGLES ± 5°	SIGNATURES	DATE		
		MATERIAL <material>			DRAWN DSKKimball		20000922	
		FINISH <finish>			CHECKED BY			
NEXT ASSY	USED ON				ENGINEERING			
APPLICATION FOR INFORMATION ONLY		DO NOT SCALE DRAWING			DOCUMENT CONTROL RELEASE			
SIZE B	ARTWORK REV B	DWG. NO. 12111102		REV B				
PGM SolidWorks	FILE	SCALE 1:1	SHEET 1 of 1					



DT-7000
Instrument Transceiver


A Component of the
PatientNet™ Suite of Products
PATENT PENDING

FCC ID:
BQ100DT-7000 VITALCOM

THIS DEVICE COMPLIES WITH FCC RULES
PART 15. OPERATION IS SUBJECT TO THE
FOLLOWING CONDITIONS: (1) THIS DEVICE MAY
NOT CAUSE HARMFUL INTERFERENCE AND
(2) THIS DEVICE MUST ACCEPT ANY INTERFERENCE
THAT MAY BE RECEIVED, INCLUDING INTERFERENCE
THAT MAY CAUSE UNDESIRED OPERATION.

FREQUENCY:
608MHz - 614MHz

CAUTION:
Federal law restricts this device to
sale by or on the order of a Physician
or other licensed Practitioner

CLASSIFIED
UL US  **IPX1**

Instrument Transceiver
UL 2601-1/CAN/CSA C22.2 NO.601.1
79VK

MANUFACTURED IN USA BY VITALCOM
TUSTIN, CA 92780
12111102-001 Rev.B

**DO NOT
SHOW BORDER**

-201 SHOWN

SIZE A	ARTWORK REV B	DWG. NO. 12111102	REV B
SCALE NONE	PGM AI	FILE 12111102_B_2.AI	SHEET 2 OF 5