


# YB

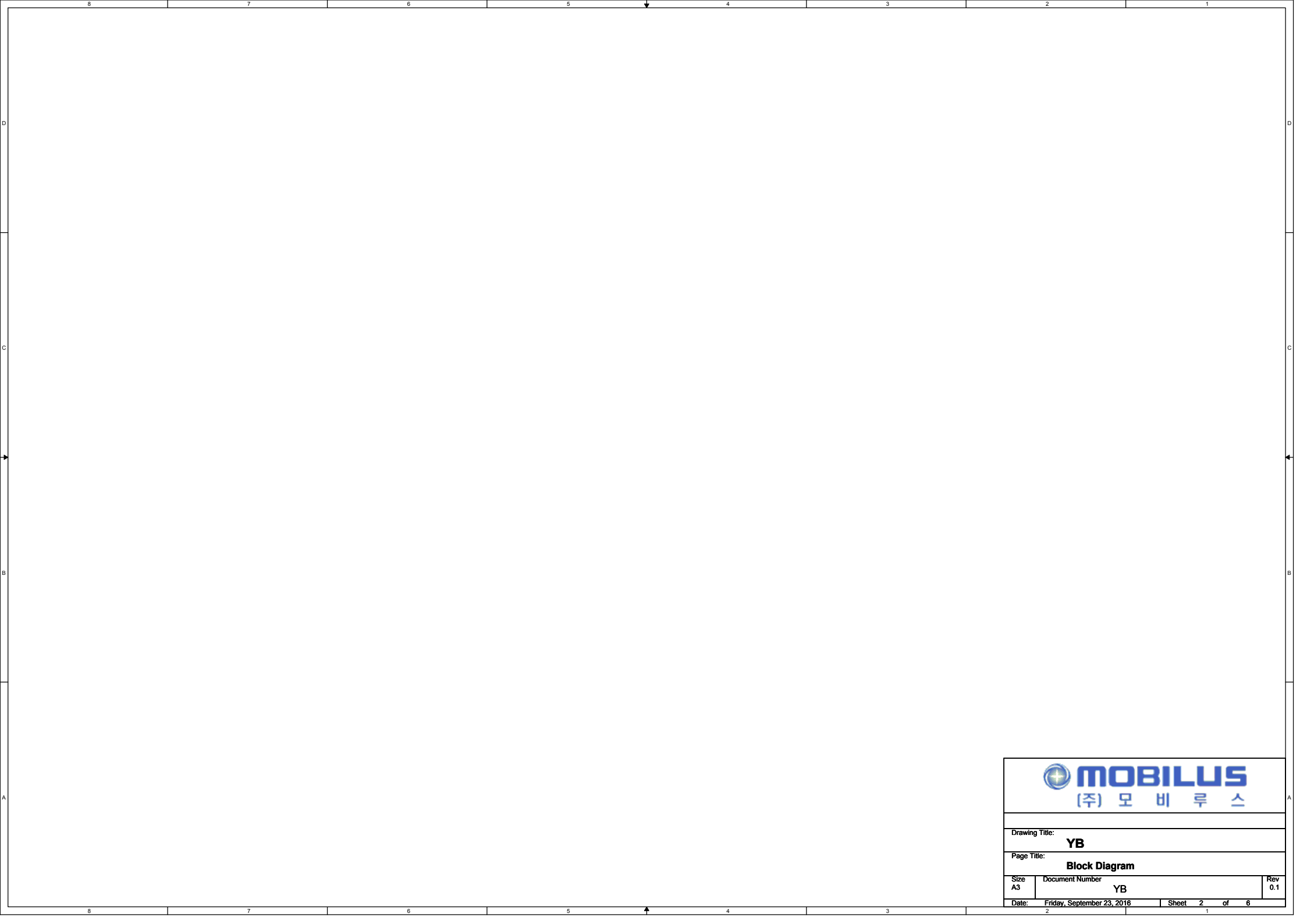
## <LCD PCB>

### Revision 12

See Revision History sheet for version

Table of Contents	
2	Block Diagram
3	Notes
4	I/F Connectors
5	Power for LCD
6	Bluetooth & WiFi

		<b>Car Business Division</b>	
This document contains information proprietary to Movilus Inc. and shall not be used for engineering design, procurement or manufacture in whole or in part without the express written permission of Movilus Inc..			
Designer: <Designer>	Drawing Title: <b>YB</b>		
Drawn by: <DrawnBy>	Page Title: <b>Cover &amp; Revision History</b>		
Approved: <Approver>	Size A3	Document Number <b>YB</b>	Rev 0.1
Date: Friday, September 23, 2016		Sheet 1	of 6



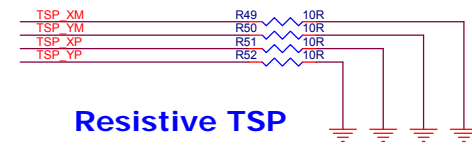
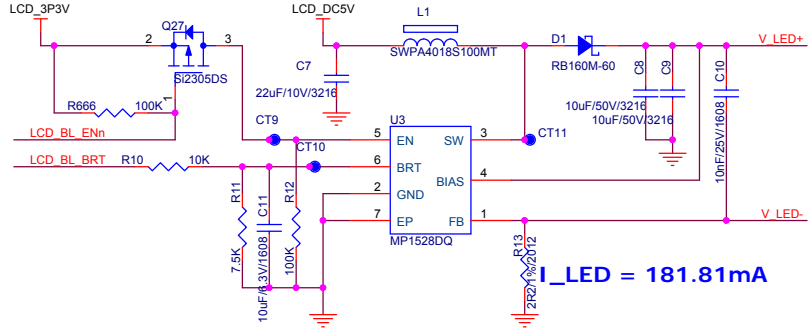
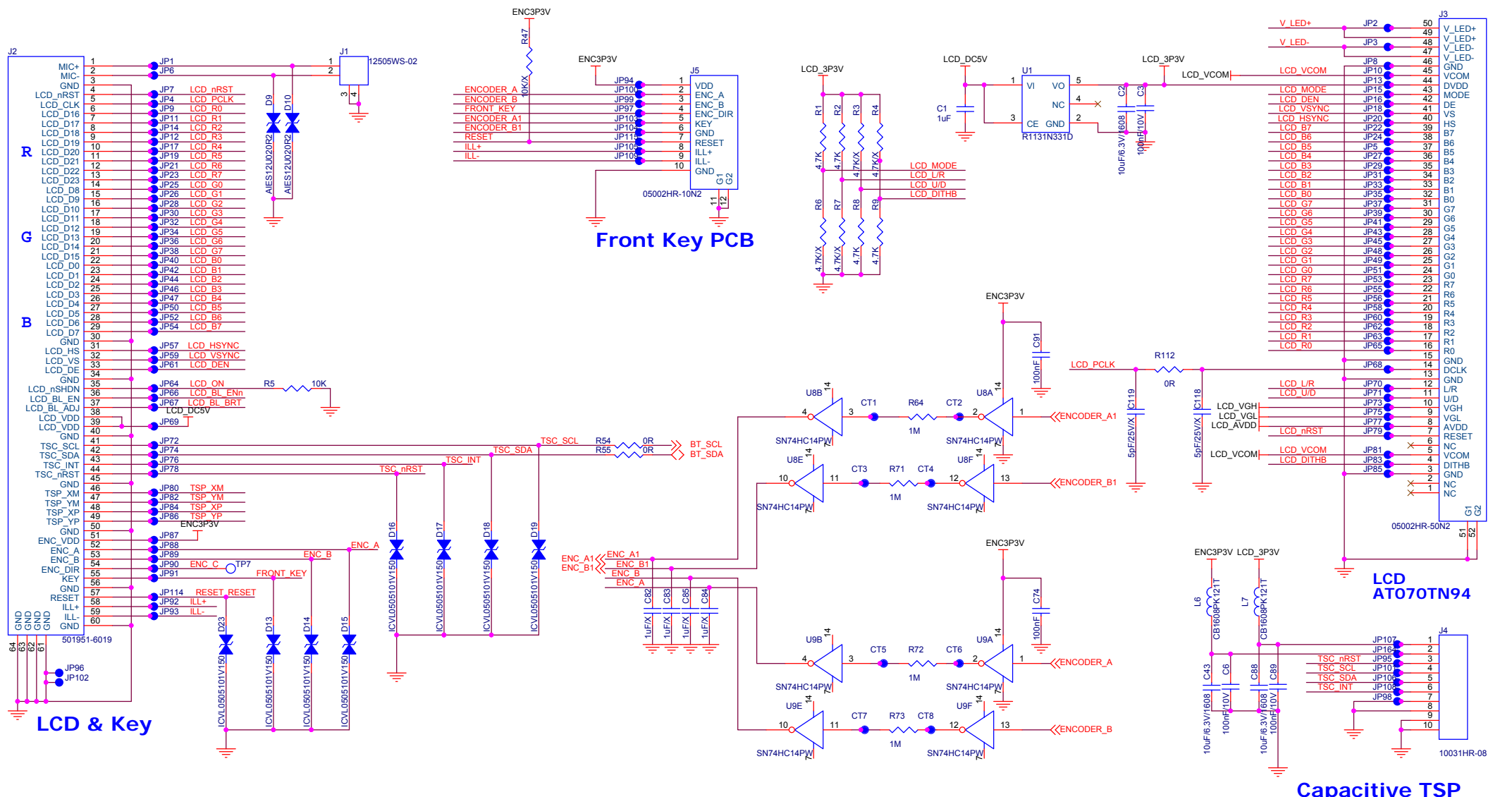
Drawing Title: <b>YB</b>			
Page Title: <b>Block Diagram</b>			
Size A3	Document Number <b>YB</b>	Date: Friday, September 23, 2016	Rev 0.1
Sheet 2 of 6		1	

## 변경 이력

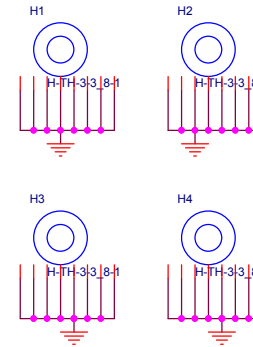
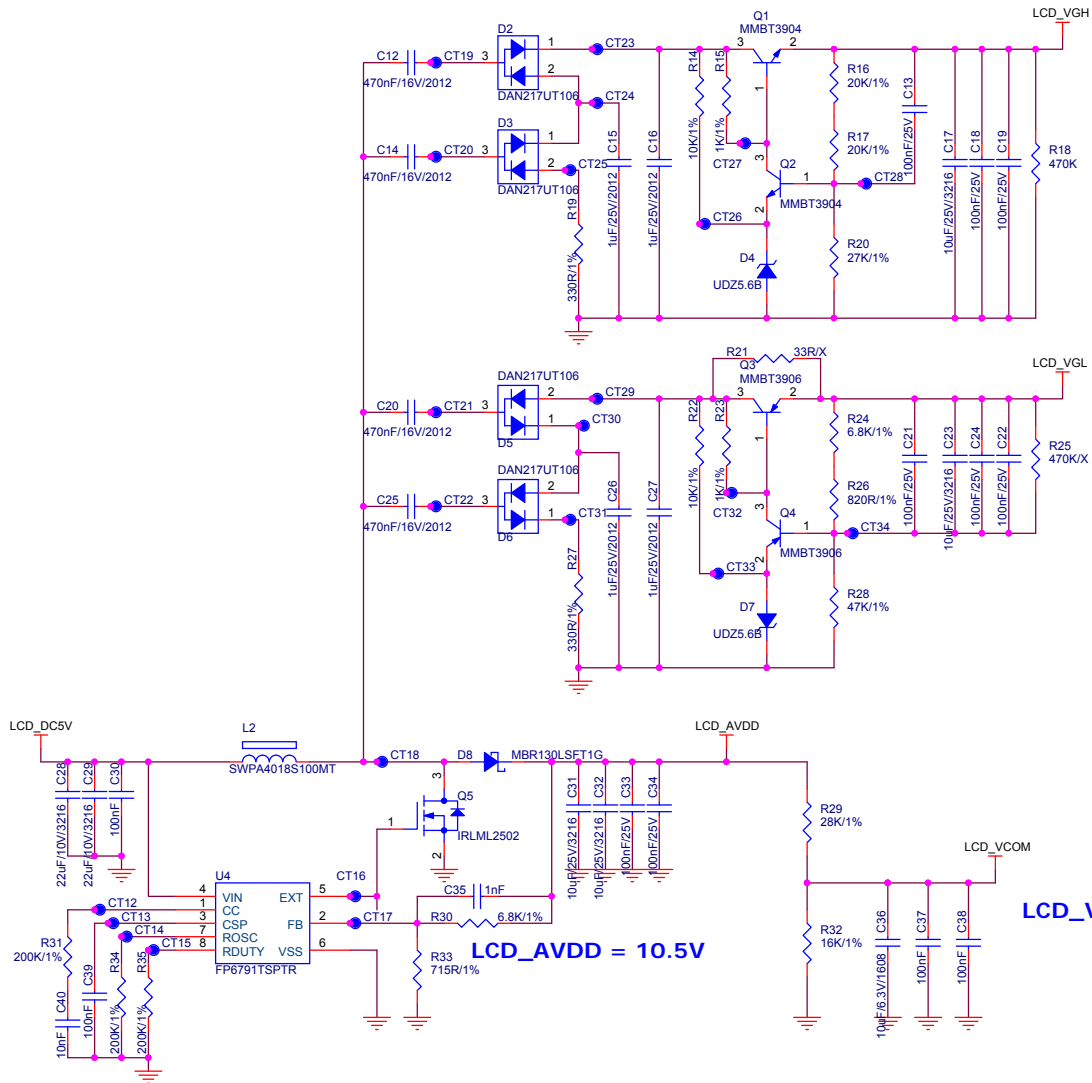
1. Rev 0.1
  - . Android LCD Rev01 회로 수정
2. Rev 10
  - . OS 변경에 따른 BT Module 변경 (Movon -> A&W)
  - . C49/C50 제거 R41/C119 추가
  - . ICT 추가
3. Rev 11
  - . R-Touch 회로 삭제
4. Rev12
  - . TUNE Schmitt-Trigger 회로 Net 수정



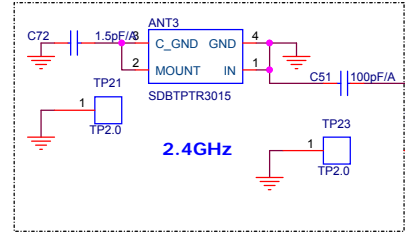
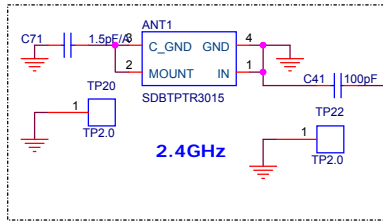
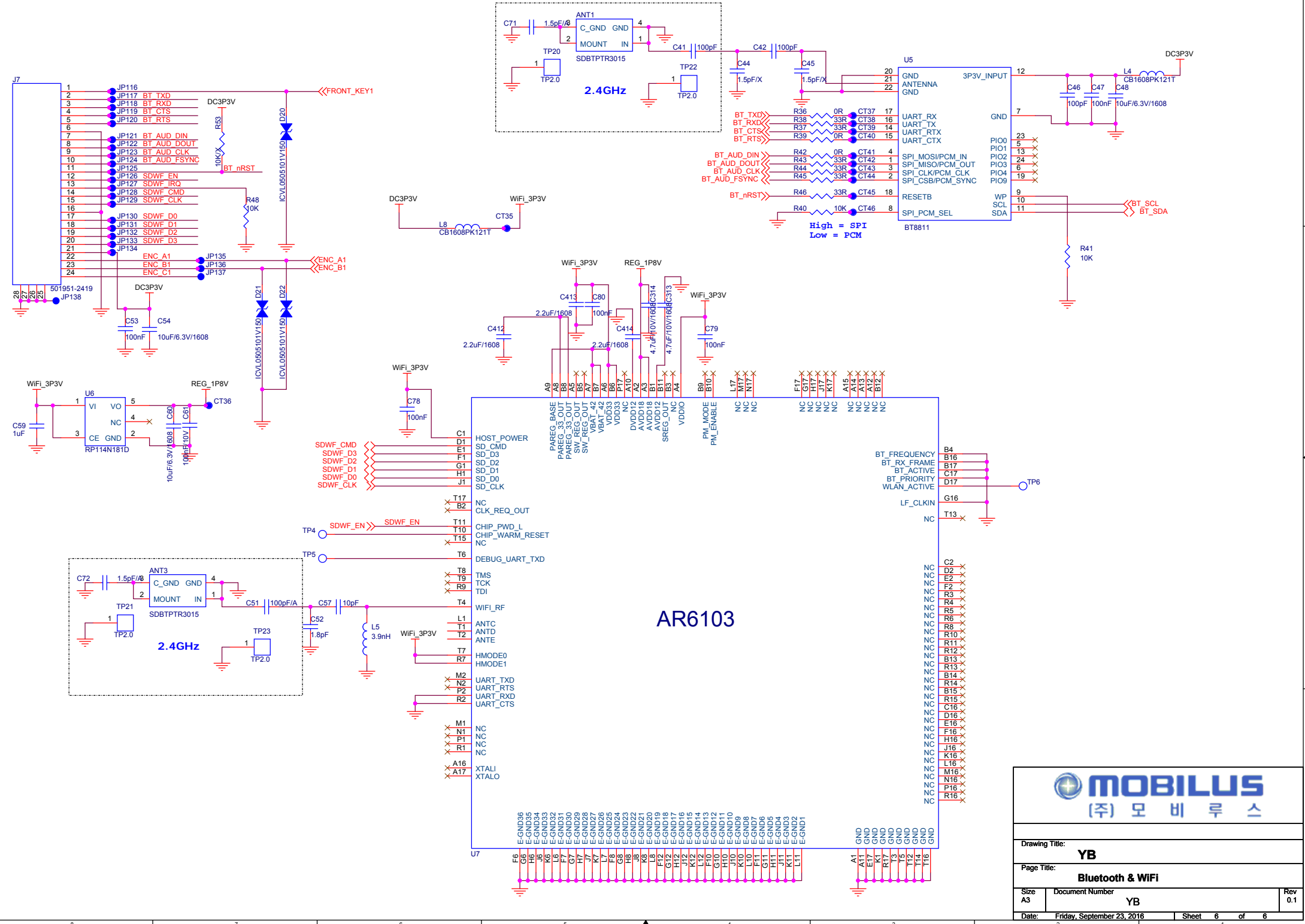
Drawing Title: <b>YB</b>			
Page Title: <b>Notes</b>			
Size A3	Document Number <b>YB</b>	Rev 0.1	
Date: 2	Friday, September 23, 2016	Sheet 3	of 6




Drawing Title:		
<b>YB</b>		
Page Title:		
<b>/F Connectors</b>		
Size	Document Number	Rev
A3	YB	0.1
Date:	Friday, September 23, 2016	Sheet 4 of 6



Drawing Title: <b>YB</b>			
Page Title: <b>Power for LCD</b>			
Size A3	Document Number YB	Rev <Rev Code>	
Date: Friday, September 23, 2016	Sheet 5	of 6	





MOBILUS  
(주) 모 비 루 스

Drawing Title:		
<b>YB</b>		
Page Title:		
<b>Bluetooth &amp; WiFi</b>		
Size A3	Document Number	Rev 0.1
	<b>YB</b>	
Date: Friday, September 23, 2016	Sheet 6 of 6	