

APPROVAL SHEET



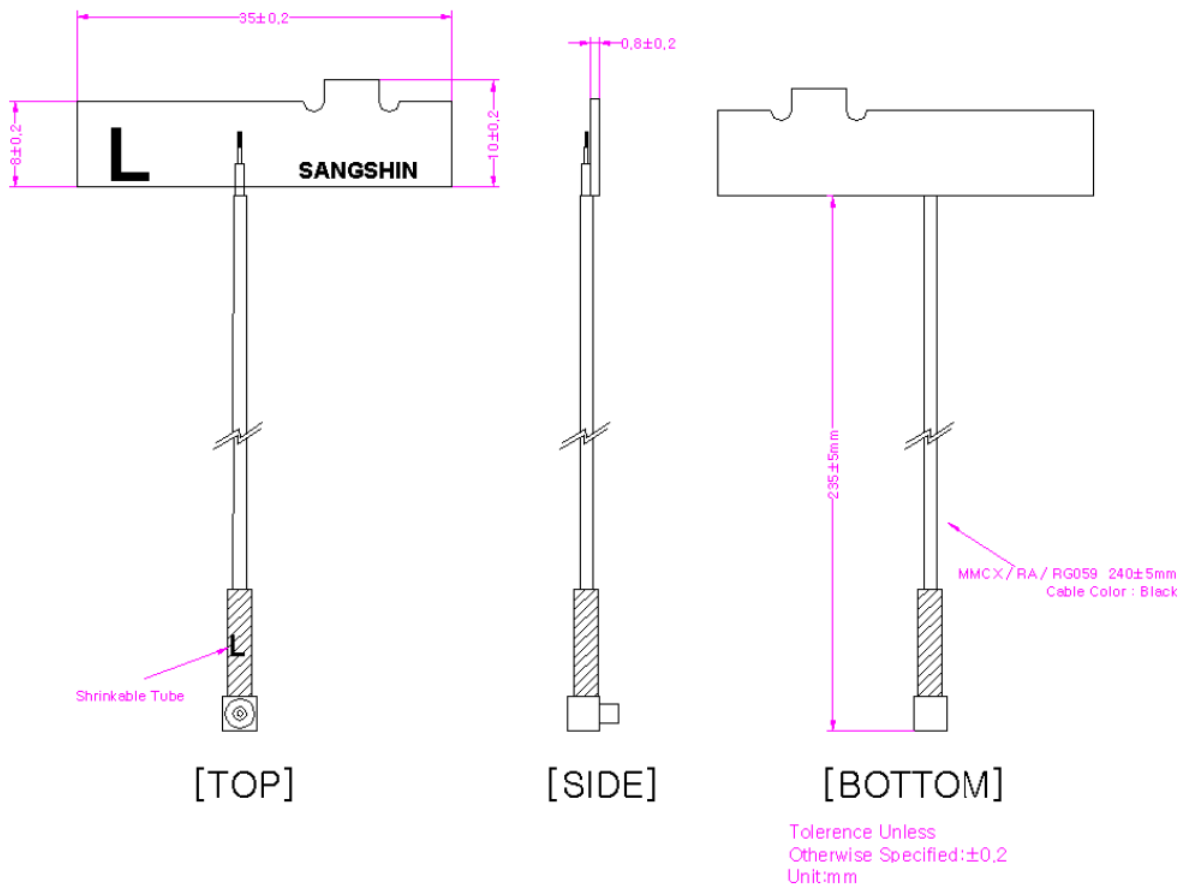
SANGSHIN ELECOM CO., LTD.
HEAD OFFICE & FACTORY
507 DANGSANRO YUNSUHMYON SEJONGSI
THE REPUBLIC OF KOREA
TEL : (044) 865-9008
FAX : (044) 865-9339

Item	Specifications
Operating Frequency	2400~2500MHz and 5150~5800 MHz
Return Loss @ Fc	4 dB min.
Impedance	50 Ω
Polarization	Linear

environmental characteristics

- 1) Operation Tem : -30°C ~ 85°C
- 2) Storage Tem : -30°C ~ 85°C

Appearance and structure



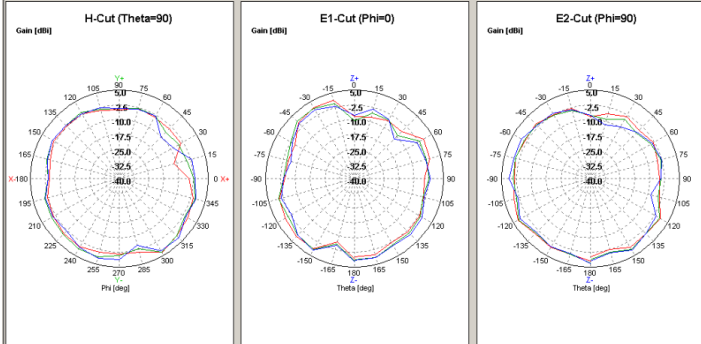
DATA

4.1 Return Loss

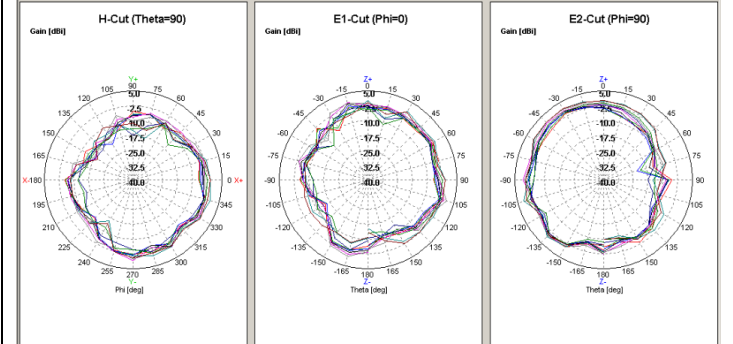


4.2 Antenna Chamber 2D Data

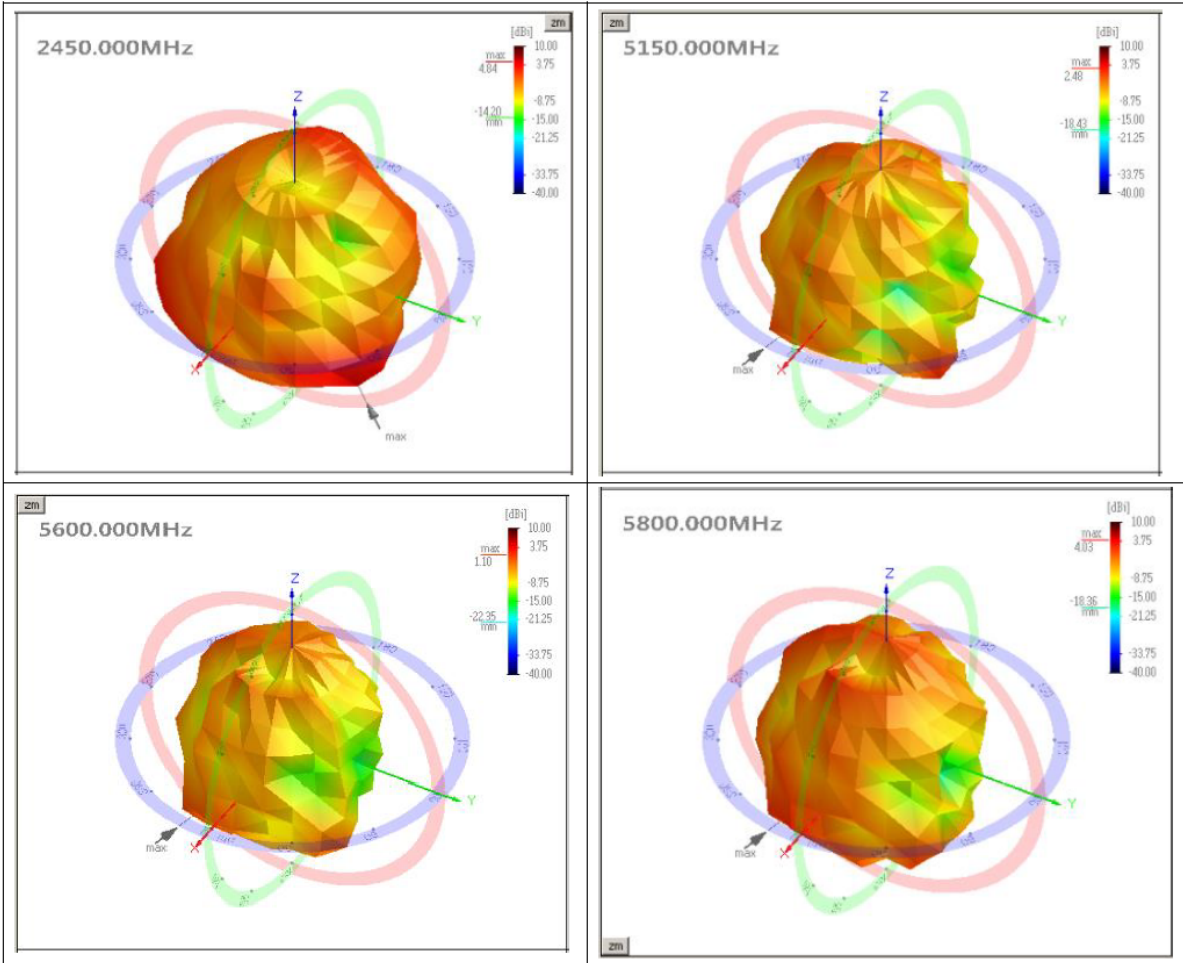
No.	Freq.	PerSum	Eff [%]	Avg [dB]	Peak [dB]	Theta [deg]	Phi [deg]	H [Theta=0]	Peak [dB]	Phi [deg]	Theta [deg]	E [Phi=0]	Peak [dB]	Theta [deg]	Phi [deg]	E [Phi=90]	Peak [dB]	Theta [deg]	Phi [deg]	
1	2400.000	76.22	-1.16	4.66	120.00	60.00	-1.74	3.35	300.00	35.47	-1.42	1.57	-135.00	53.62	-1.27	2.34	-120.00	85.16		
2	2450.000	76.30	-1.17	4.64	120.00	60.00	-1.23	3.06	300.00	27.92	-1.35	1.98	-180.00	34.65	-1.32	2.64	-180.00	39.40		
3	2500.000	70.52	-1.52	4.19	120.00	60.00	-1.24	2.42	315.00	33.37	-1.57	2.23	-180.00	67.26	-1.31	3.16	-180.00	20.32		



No.	Freq.	PerSum	Eff [%]	Avg [dB]	Peak [dB]	Theta [deg]	Phi [deg]	H [Theta=0]	Peak [dB]	Phi [deg]	Theta [deg]	E [Phi=0]	Peak [dB]	Theta [deg]	Phi [deg]	E [Phi=90]	Peak [dB]	Theta [deg]	Phi [deg]	
4	5100.000	33.65	-4.73	2.48	135.00	300.00	-5.92	-2.13	345.00	32.22	-5.10	-1.84	-15.00	61.08	-4.22	-0.58	-135.00	34.34		
5	5200.000	31.62	-5.00	2.06	135.00	300.00	-6.20	-2.21	270.00	66.00	-5.42	-1.93	-15.00	64.98	-4.33	-0.49	-135.00	31.88		
6	5300.000	31.34	-5.04	1.81	120.00	60.00	-6.23	-1.78	270.00	36.86	-5.24	-1.15	-15.00	63.51	-4.28	-0.50	-30.00	113.59		
7	5300.000	33.86	-4.70	2.00	120.00	60.00	-5.55	-0.63	270.00	28.84	-4.70	-0.39	-15.00	53.13	-3.78	0.12	-30.00	103.97		
8	5300.000	40.51	-3.92	2.54	120.00	60.00	-4.74	0.91	270.00	22.19	-3.83	0.43	-15.00	62.74	-2.94	0.91	-90.00	104.96		
9	5470.000	44.00	-3.57	2.58	135.00	300.00	-4.58	0.29	270.00	46.16	-3.25	1.09	105.00	18.11	-2.57	1.29	-45.00	78.23		
10	5600.000	25.10	-6.00	1.10	135.00	300.00	-7.25	-2.24	285.00	33.67	-5.91	-1.79	105.00	33.05	-4.44	-0.29	-30.00	62.84		
11	5725.000	26.37	-5.79	2.09	135.00	300.00	-6.67	-1.57	285.00	40.88	-6.09	-2.99	105.00	57.35	-3.77	0.18	-105.00	16.91		
12	5800.000	40.10	-3.97	4.03	135.00	300.00	-4.71	0.45	345.00	207.66	-4.07	-0.02	30.00	47.20	-2.00	2.03	105.00	19.63		
13	5875.000	37.53	-4.26	3.04	135.00	300.00	-4.60	-0.55	270.00	57.94	-4.26	-0.32	30.00	22.19	-2.22	1.45	-30.00	99.43		



Antenna Chamber 3D Data



Frequency	2450 MHz	5150 MHz	5600 MHz	5800MHz
Average [dBi]	-1.18	-4.73	-6.00	-3.97
Efficiency [%]	76.38	33.65	25.10	40.10
Peak Gain [dBi]	4.84	2.48	1.10	4.03