

APPROVAL SHEET



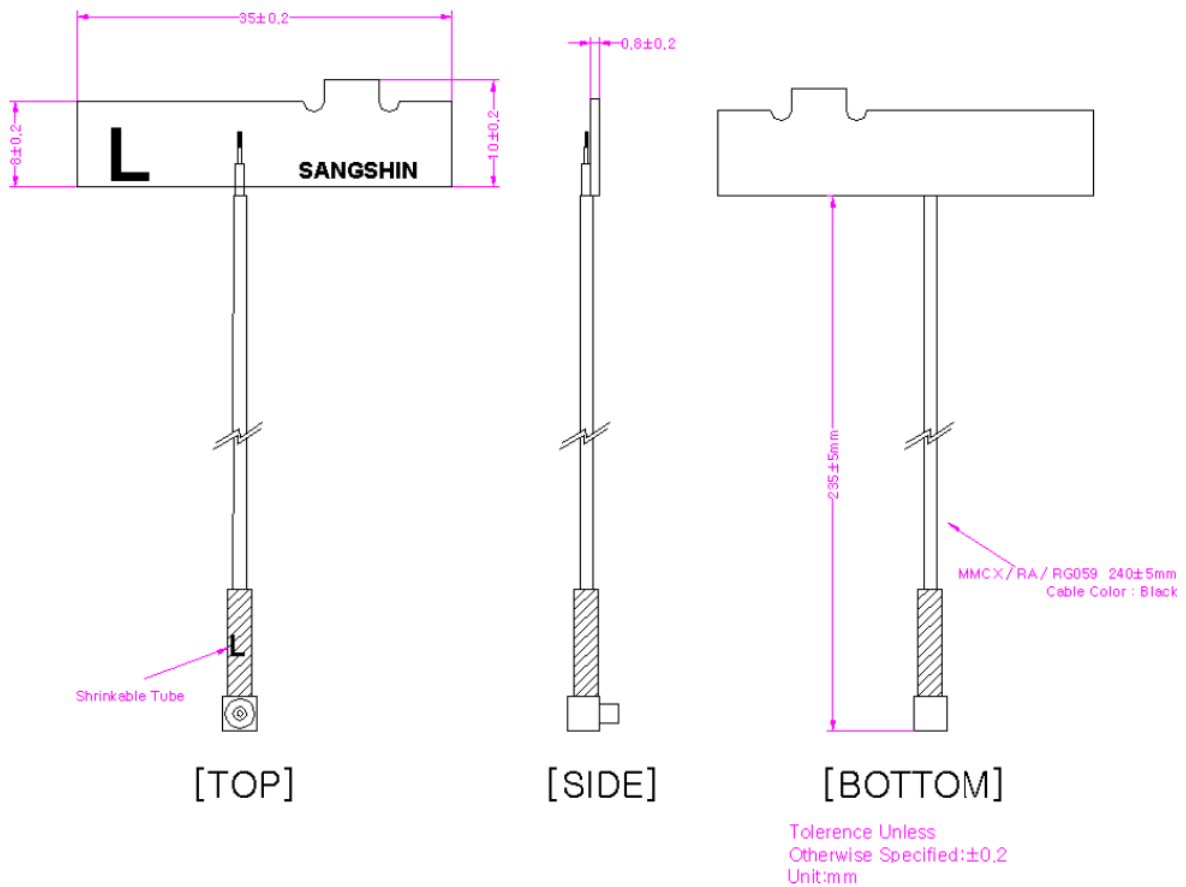
SANGSHIN ELECOM CO., LTD.
HEAD OFFICE & FACTORY
507 DANGSANRO YUNSUHMYON SEJONGSI
THE REPUBLIC OF KOREA
TEL : (044) 865-9008
FAX : (044) 865-9339

Item	Specifications
Operating Frequency	2400~2500MHz and 5150~5800 MHz
Return Loss @ Fc	4 dB min.
Impedance	50 Ω
Polarization	Linear

environmental characteristics

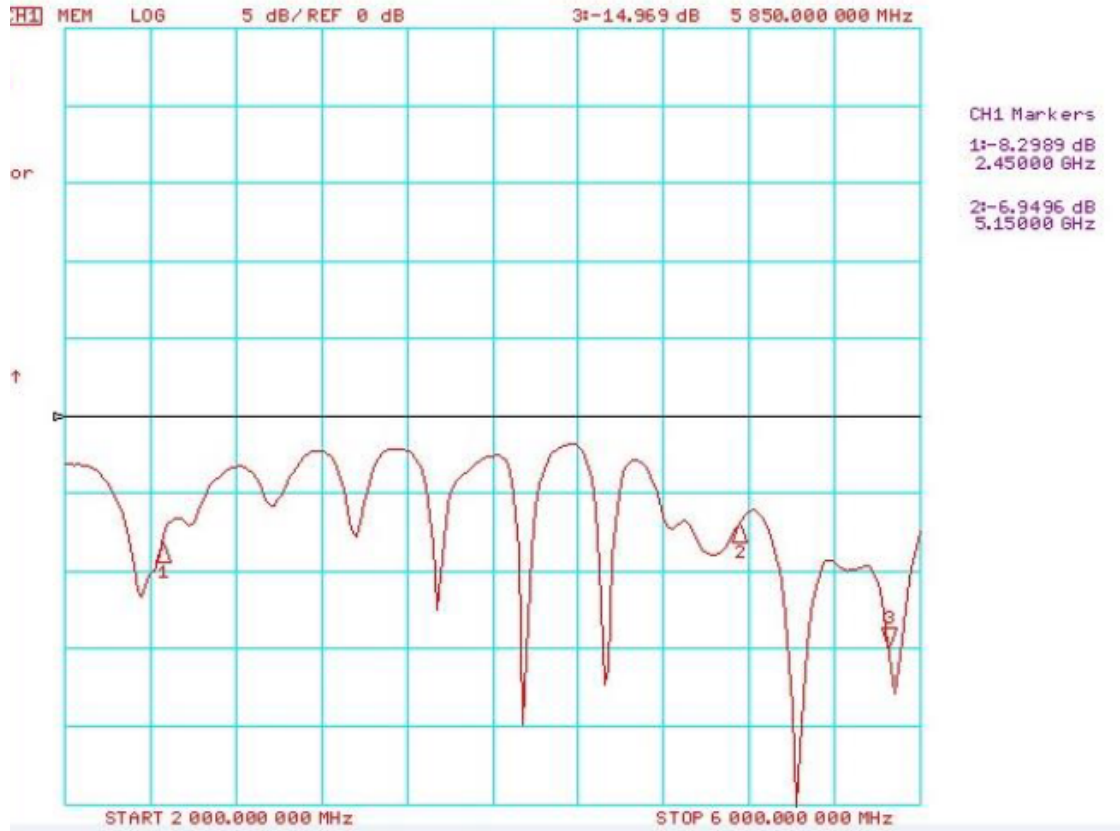
- 1) Operation Tem : -30°C ~ 85°C
- 2) Storage Tem : -30°C ~ 85°C

Appearance and structure

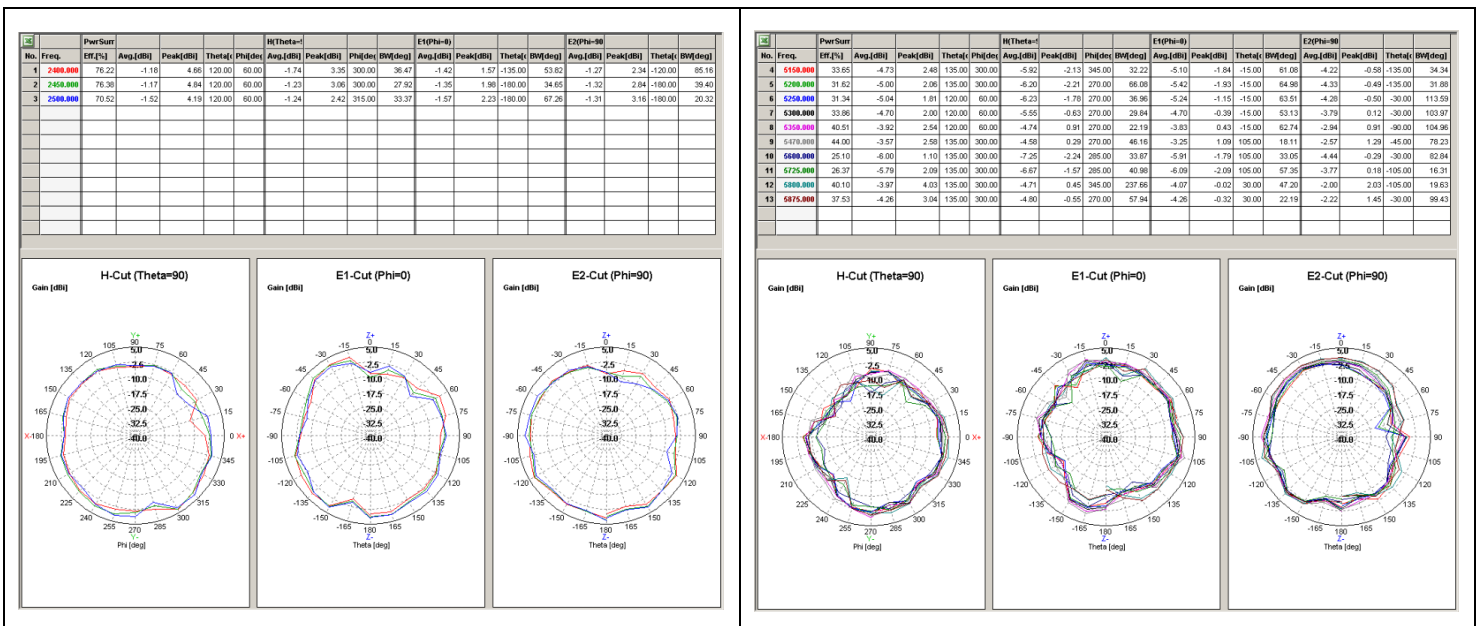


DATA

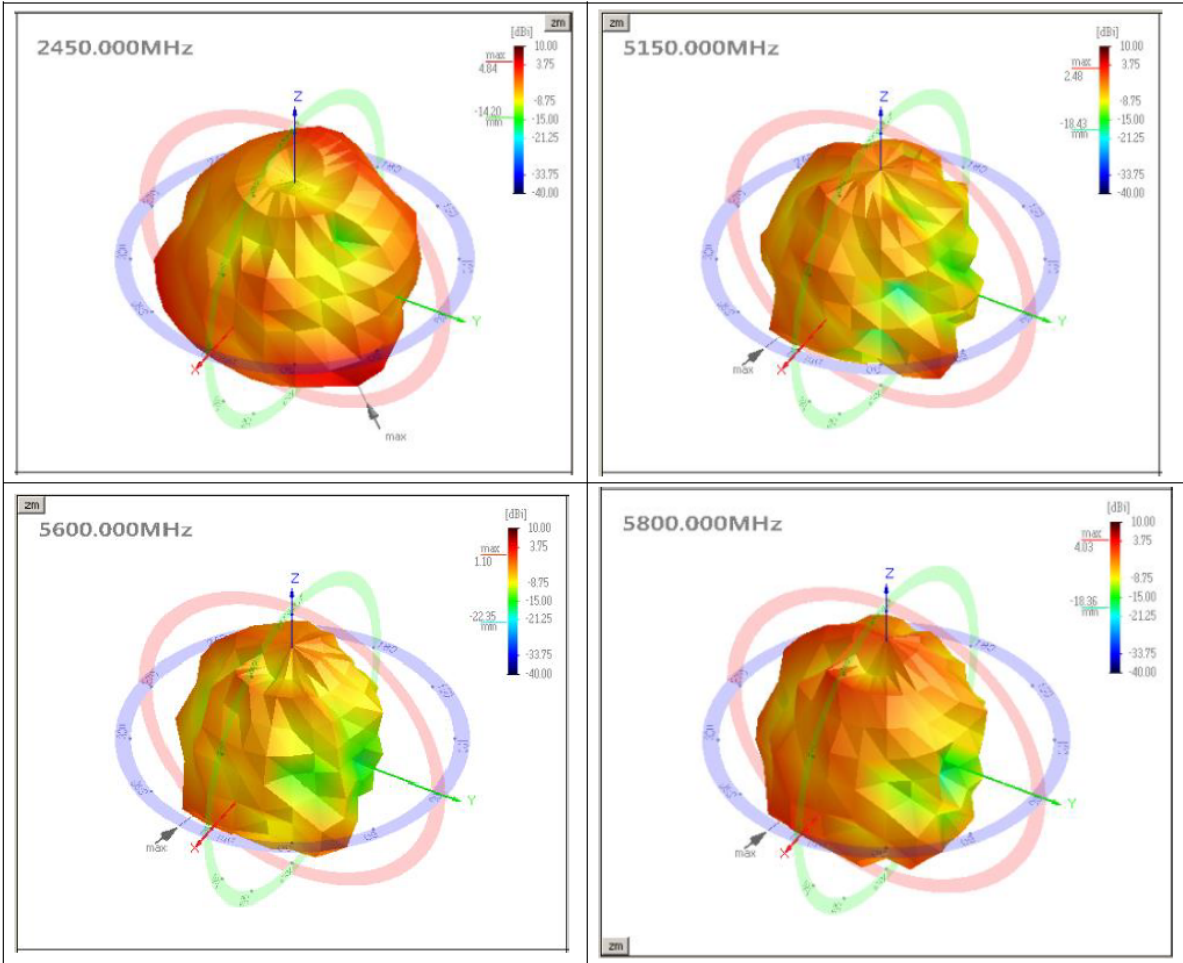
4.1 Return Loss



4.2 Antenna Chamber 2D Data



Antenna Chamber 3D Data



Frequency	2450 MHz	5150 MHz	5600 MHz	5800MHz
Average [dBi]	-1.18	-4.73	-6.00	-3.97
Efficiency [%]	76.38	33.65	25.10	40.10
Peak Gain [dBi]	4.84	2.48	1.10	4.03