

APPROVAL SHEET

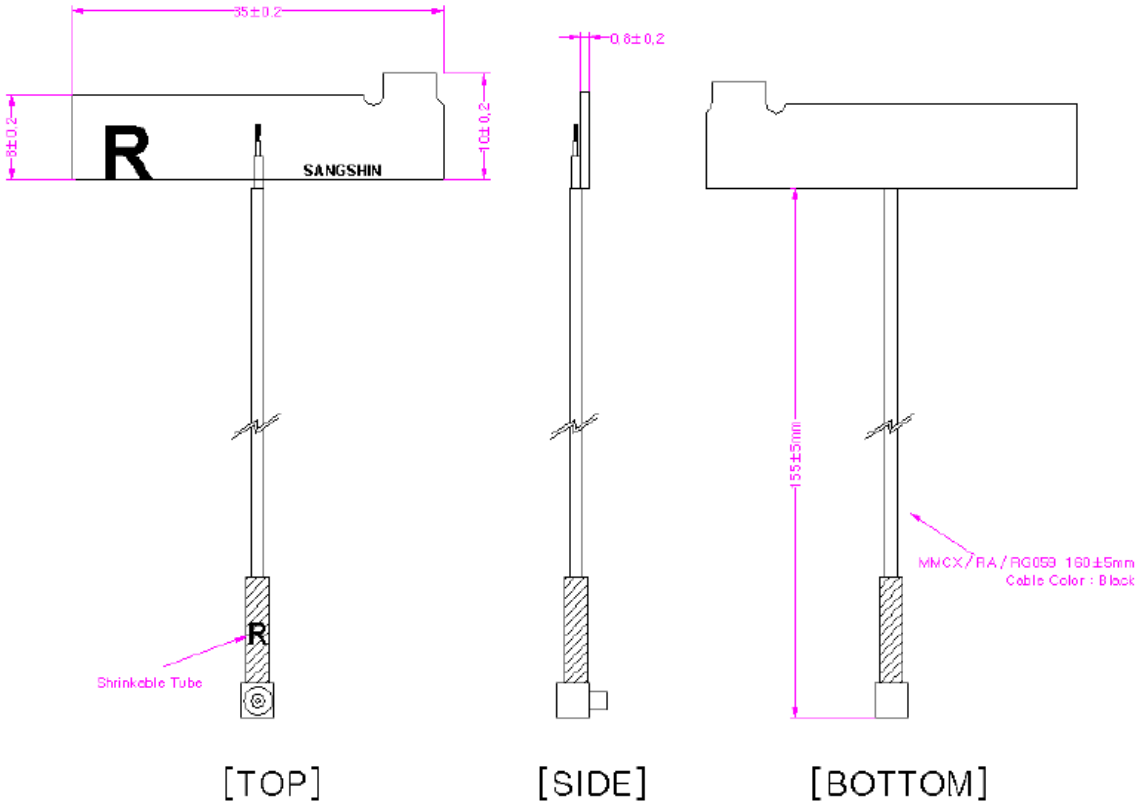


SANGSHIN ELECOM CO., LTD.
HEAD OFFICE & FACTORY
507 DANGSANRO YUNSUHMYON SEJONGSI
THE REPUBLIC OF KOREA
TEL : (044) 865-9008
FAX : (044) 865-9339

Item	Specifications
Operating Frequency	2400~2500MHz and 5150~5800 MHz
Return Loss @ Fc	4 dB min.
Impedance	50 Ω
Polarization	Linear

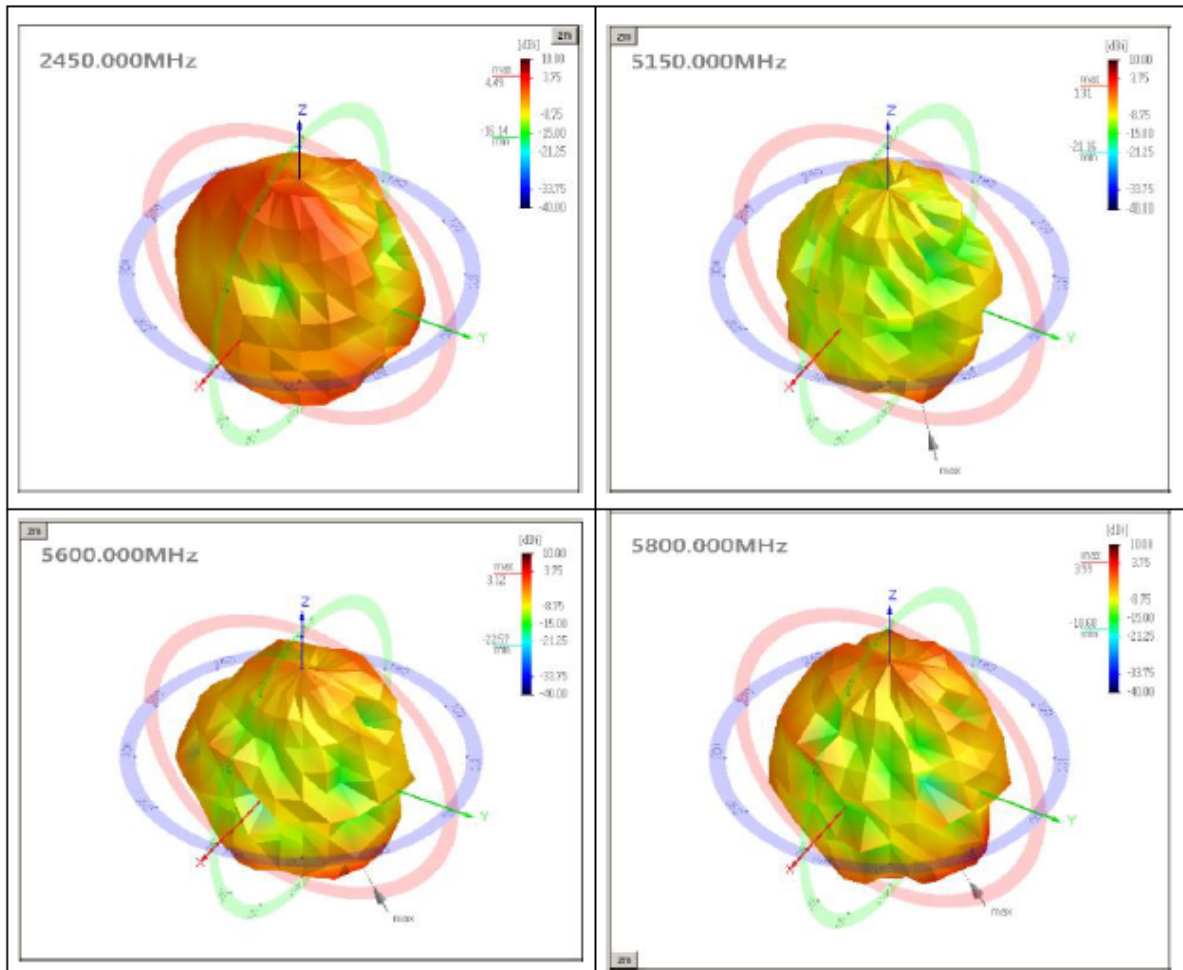
environmental characteristics

- 1) Operation Tem : -30°C ~ 85°C
- 2) Storage Tem : -30°C ~ 85°C



Tolerance Unless
Otherwise Specified : ± 0.2
Unit: mm

4.3 Antenna Chamber 3D Data



Frequency	2450 MHz	5150 MHz	5600 MHz	5800MHz
Average [dBi]	-2.21	-6.61	-4.72	-3.57
Efficiency [%]	60.08	21.16	33.75	43.93
Peak Gain [dBi]	4.49	1.31	3.12	3.99