

# APPROVAL SHEET

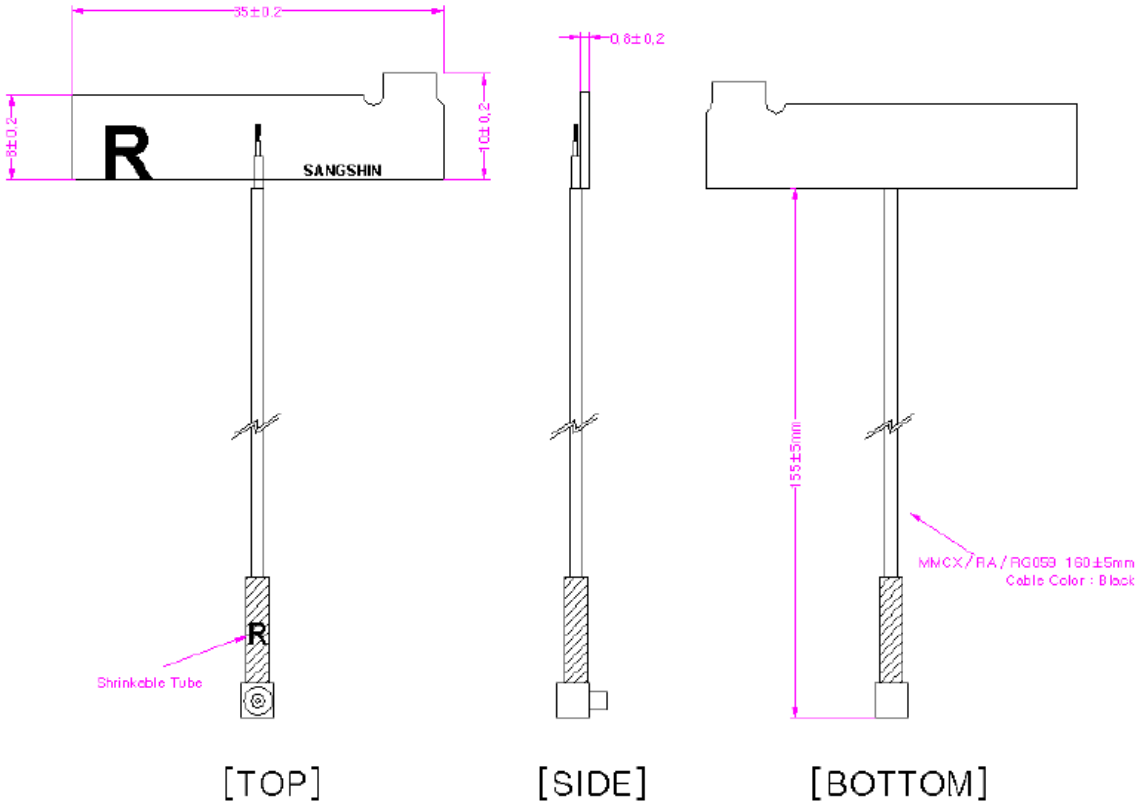


SANGSHIN ELECOM CO., LTD.  
HEAD OFFICE & FACTORY  
507 DANGSANRO YUNSUHMYON SEJONGSI  
THE REPUBLIC OF KOREA  
TEL : (044) 865-9008  
FAX : (044) 865-9339

Item	Specifications
Operating Frequency	2400~2500MHz and 5150~5800 MHz
Return Loss @ Fc	4 dB min.
Impedance	50 $\Omega$
Polarization	Linear

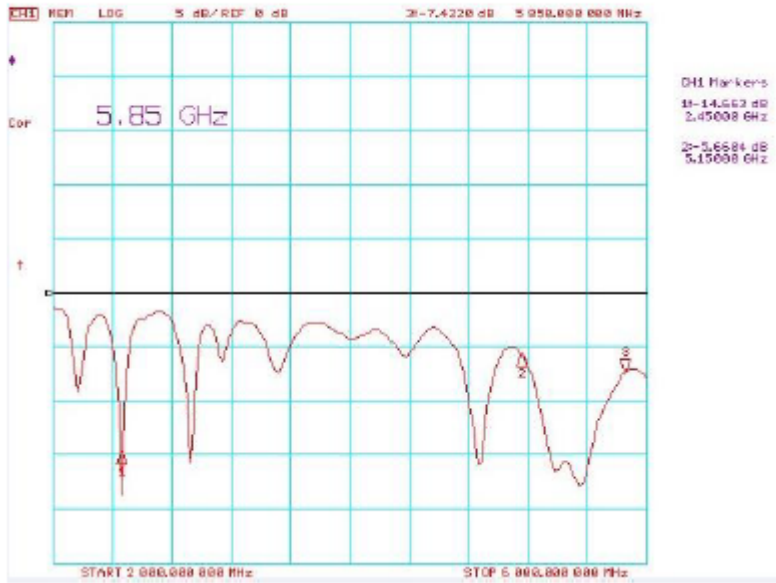
environmental characteristics

- 1) Operation Tem : -30°C ~ 85°C
- 2) Storage Tem : -30°C ~ 85°C



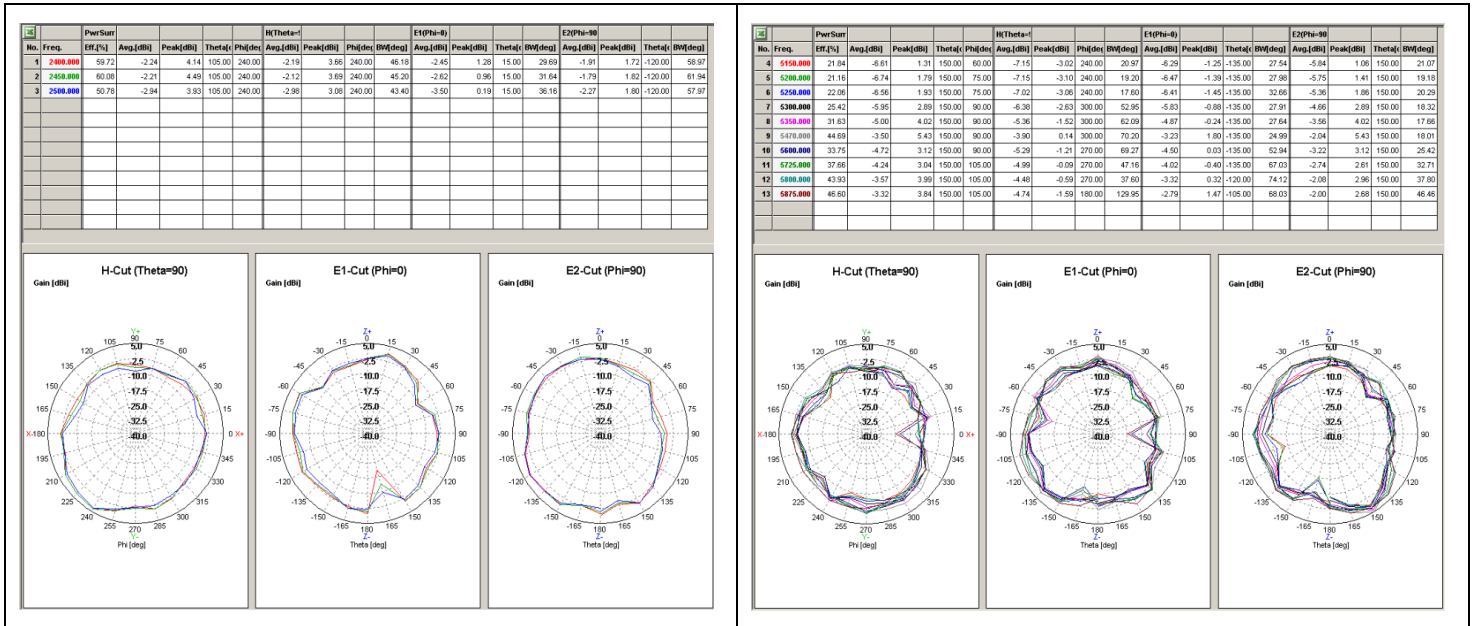
Tolerance Unless  
Otherwise Specified :  $\pm 0.2$   
Unit: mm

## 4.1 Return Loss

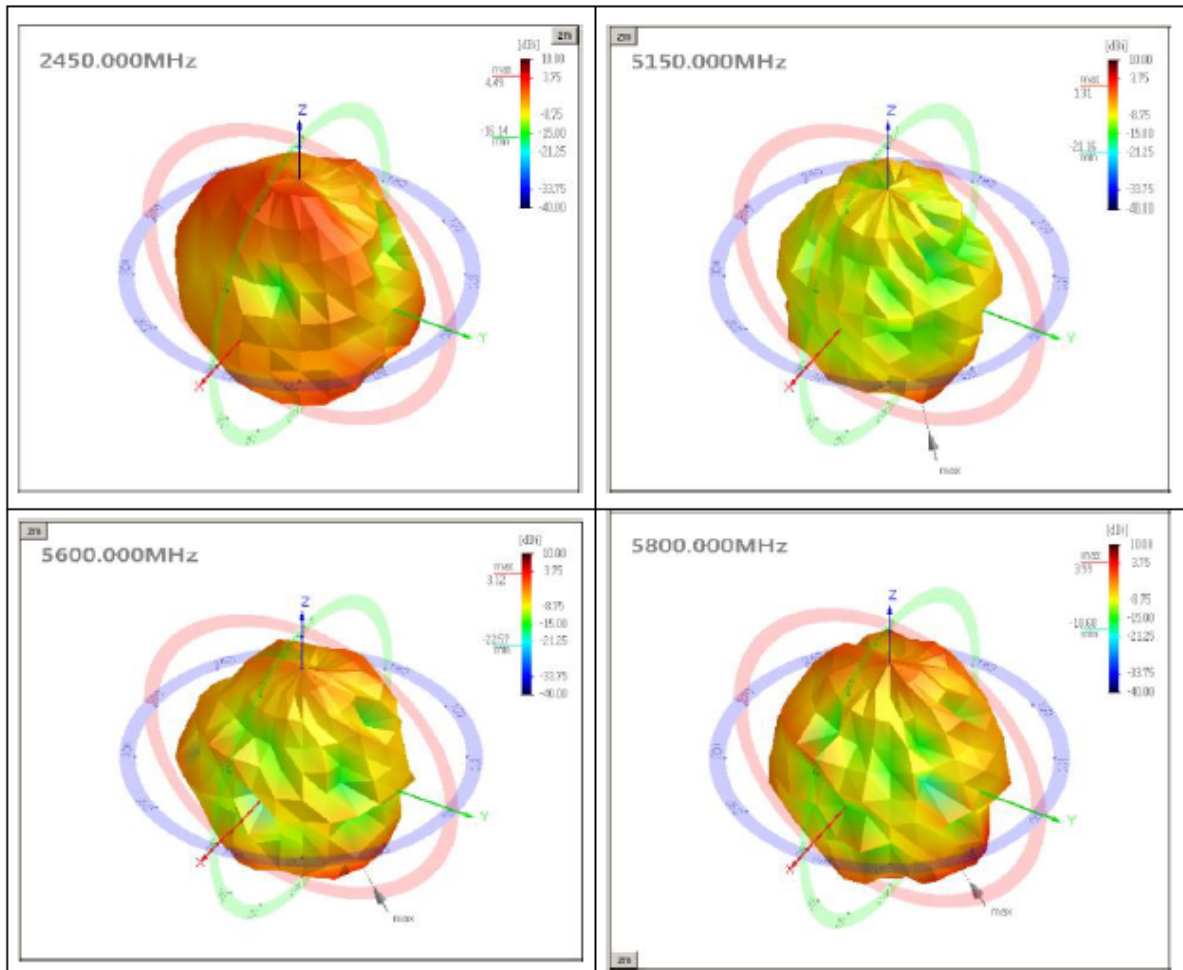


DH1 Markers  
 1- -14.563 dB  
 2.45000 GHz  
 3- -5.688 dB  
 5.15000 GHz

## 4.2 Antenna Chamber 2D Data



### 4.3 Antenna Chamber 3D Data



Frequency	2450 MHz	5150 MHz	5600 MHz	5800MHz
Average [dBi]	-2.21	-6.61	-4.72	-3.57
Efficiency [%]	60.08	21.16	33.75	43.93
Peak Gain [dBi]	4.49	1.31	3.12	3.99



개별 포장 = 1EA

1 BOX = 200 EA