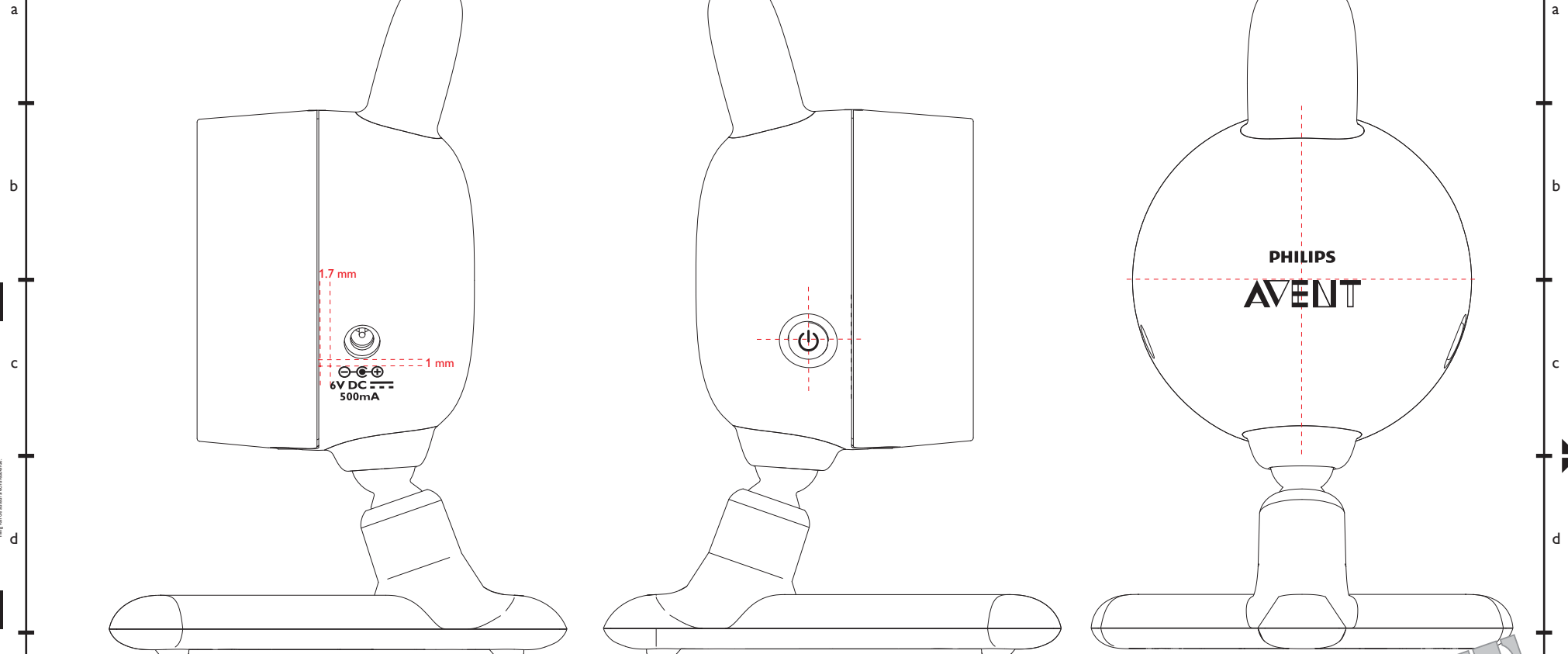


PHILIPS

EN V Philips Gloeilampenfabrieken NV, Eindhoven, Nederland. Alle rechten voorbehouden. Reproduction in whole or in part is prohibited without the prior written consent of the copyright owner.



1 2 3 4 5 6 7 8



100%

EMBOSSED

0.2 MM

EMBOSSED - HIGH GLOSS

100%

6V DC 500mA

COOL GREY 4 C

100%

PHILIPS AVENT

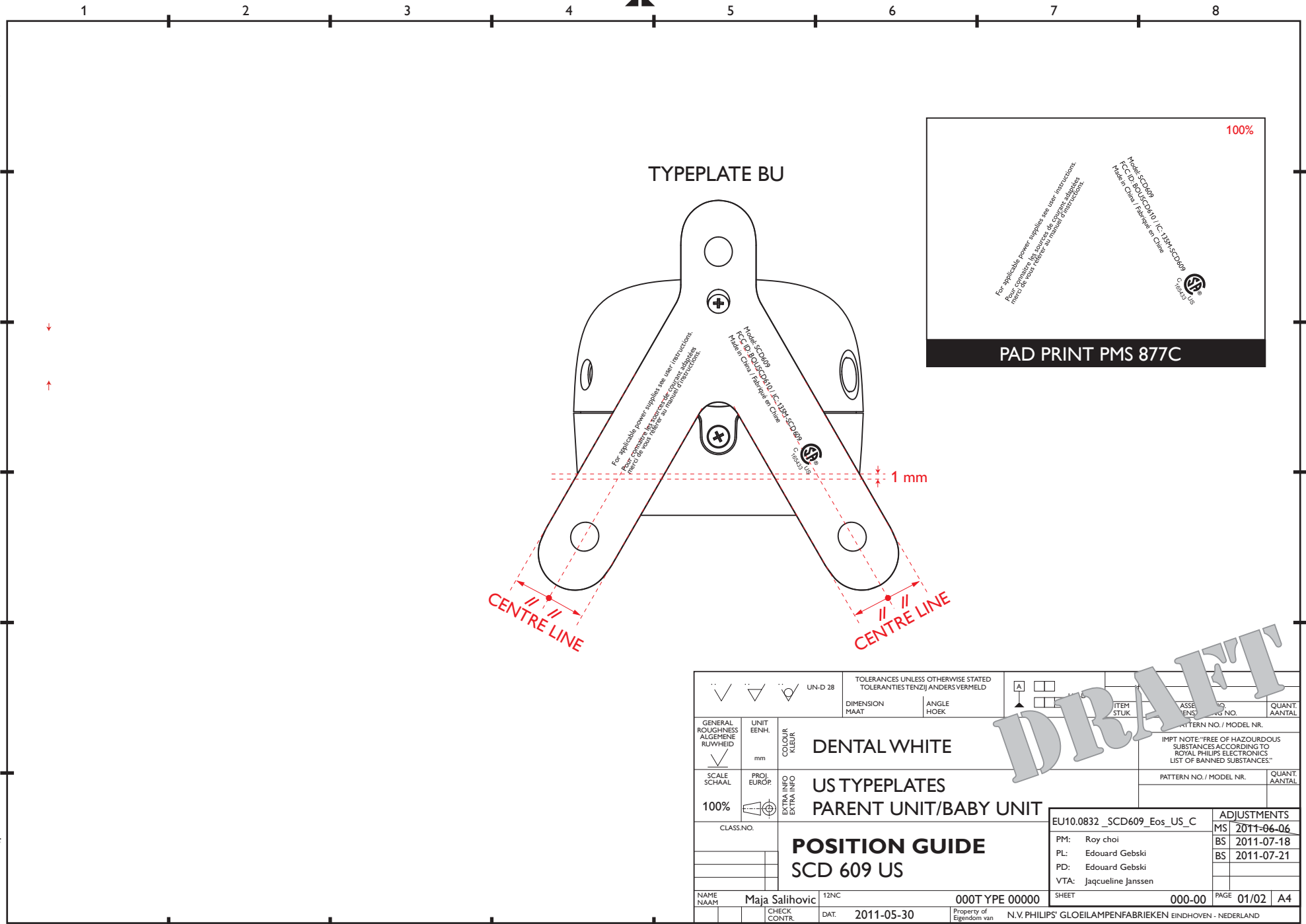
PAD PRINT PMS 877C

UN-D 28		TOLERANCES UNLESS OTHERWISE STATED TOLERANTIES TENZIJ ANDERS VERMELD		ITEM STUK		ASSEMBLY MONTAGE NO.		QUANT. AANTAL	
DIMENSION MAAT		ANGLE HOEK		PATTERN NO. / MODEL NR.		PATTERN NO. / MODEL NR.		QUANT. AANTAL	
GENERAL ROUGHNESS ALGEMENE RUWHEID		UNIT EENH.		COLOUR KLEUR		IMPT NOTE: "FREE OF HAZARDOUS SUBSTANCES ACCORDING TO ROYAL PHILIPS ELECTRONICS LIST OF BANNED SUBSTANCES"		QUANT. AANTAL	
SCALE SCHAAL		PROJ. EUROP.		EXTRA INFO EXTRA INFO		PATTERN NO. / MODEL NR.		QUANT. AANTAL	
100%		mm		dental white		PATTERN NO. / MODEL NR.		QUANT. AANTAL	
CLASS.NO.		EOS BABY UNIT US		POSITION GUIDE SCD 609 US		EU10.0832_SCD609_Eos_US_C		ADJUSTMENTS	
NAME NAAM		Maja Salihovic		12NC		000T YPE 00000		MS 2011-06-06	
CHECK CONTR.		DAT.		2011-05-30		Property of Eigendom van		N.V. PHILIPS' GLOEILAMPENFABRIEKEN EINDHOVEN - NEDERLAND	
SHEET		000-00		PAGE		01/02		A4	

DRAFT

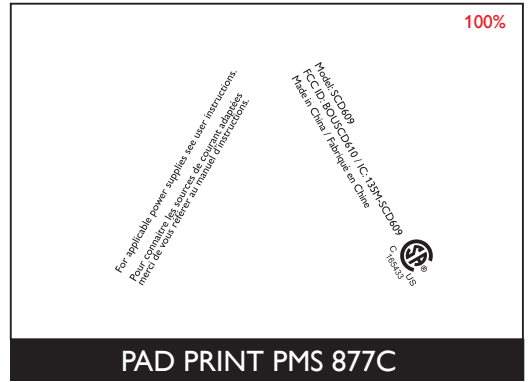
PHILIPS

ENX White, GLOEILAMPENFABRIEK 15, ENX White, Gloeilampenfabriek 15, Alle rechten voorbehouden. Verwendungsrechte: Alle rights reserved. Reproduction in whole or in part is prohibited. All rights reserved. Reproduction in whole or in part is prohibited. All rights reserved. Reproduction in whole or in part is prohibited. All rights reserved. Reproduction in whole or in part is prohibited.



TYPEPLATE BU

For applicable power supplies see user instructions.  
 Pour connaître les sources de courant, voir le manuel d'instructions.  
 Model: SCD609  
 FCC ID: B00YCCD010 / IC: 1394-SCD609  
 Made in China / Fabriqué en Chine  
 © 2011 Philips Electronics North America Corporation



**DRAFT**

UN-D 28		TOLERANCES UNLESS OTHERWISE STATED TOLERANTIES TENZIJ ANDERS VERMELD		ITEM NO. / AANTAL	
DIMENSION MAAT		ANGLE HOEK		PATTERN NO. / MODEL NR.	
GENERAL ROUGHNESS ALGEMENE RUWHEID	UNIT EENH. mm	COLOUR KLEUR DENTAL WHITE		IMPT NOTE: "FREE OF HAZOURDOUS SUBSTANCES ACCORDING TO ROYAL PHILIPS ELECTRONICS LIST OF BANNED SUBSTANCES."	
SCALE SCHAAL	PROJ. EUROP.	EXTRA INFO EXTRA INFO US TYPEPLATES PARENT UNIT/BABY UNIT		PATTERN NO. / MODEL NR.	
CLASS.NO.		POSITION GUIDE SCD 609 US		QUANT. AANTAL	
NAME NAAM		12NC		ADJUSTMENTS	
Maja Salihovic		000T YPE 00000		MS 2011-06-06	
CHECK CONTR.		DAT. 2011-05-30		BS 2011-07-18	
		Property of Eigendom van		BS 2011-07-21	
		N.V. PHILIPS' GLOEILAMPENFABRIEKEN EINDHOVEN - NEDERLAND		SHEET 000-00	
				PAGE 01/02	
				A4	