

 <p>FCC ID : B0UMCW770 CAN IC : 135M-MCW770</p>	 <p>Listed Audio Equipment Equipment Audio 22 F8</p>	
<p>Model: MCW770/37 120V ~ 60 Hz 55 W Manufactured</p>		
<p>Complies with FCC part 15 Rules Complies with 21 CFR 1040.10</p>		
<p>Philips Consumer Electronics North America Knoxville, Tennessee 37914 - 1810, U.S.A.</p>		
<p>Model No.: MCW770/37 MADE IN CHINA</p>		
<p>Prod.No.: KT</p>		

PHILIPS



ALL RIGHTS ARE RESERVED. REPRODUCTION IN WHOLE OR IN PART IS PROHIBITED WITHOUT THE WRITTEN CONSENT OF THE COPYRIGHT OWNER.

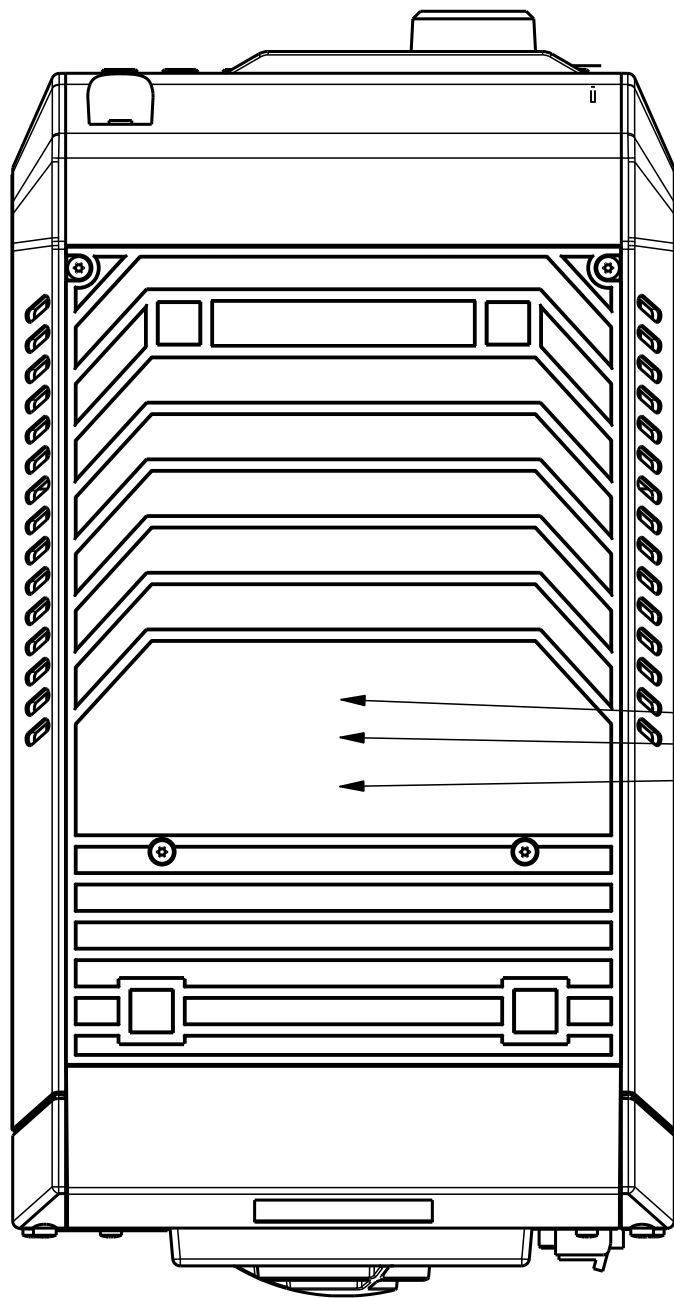


e

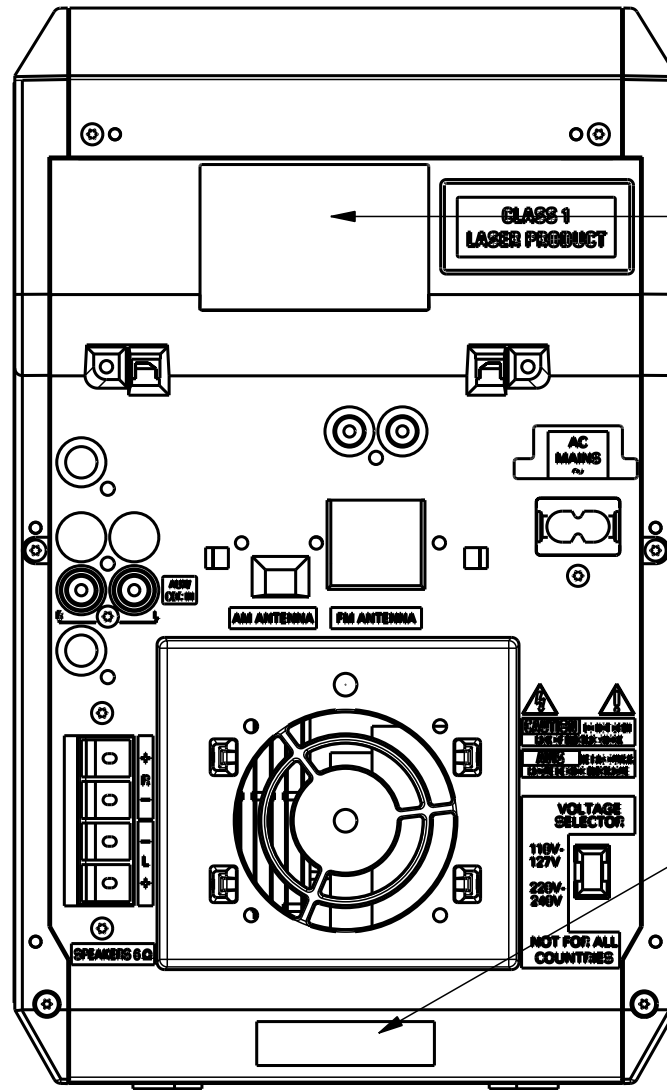
f

1 2 3 4 5 6 7 8

BOTTOM-SIDE VIEW

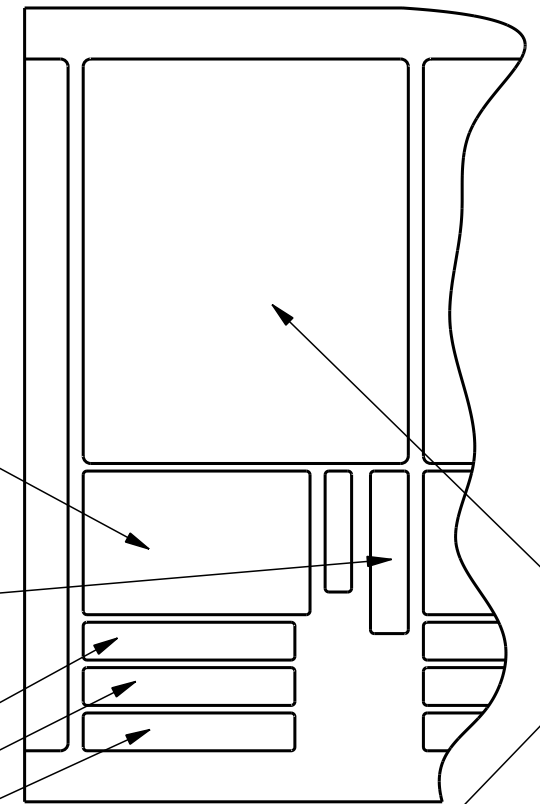


REAR-SIDE VIEW

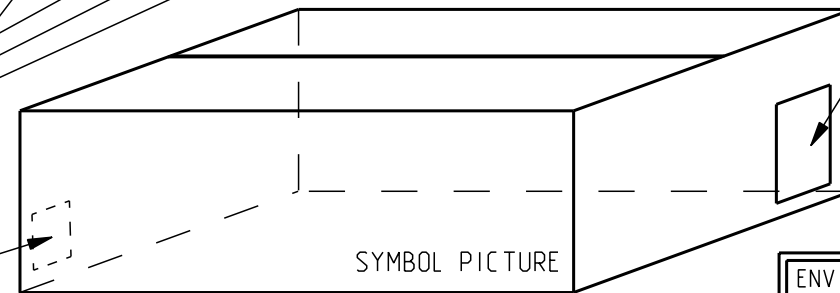


SCALE 1:2

376 LABEL FAMILY



401 DISPLAY BOX ASSY



ENVIRONMENTAL REQUIREMENT: NO BANNED SUBSTANCES ACC. TO UAW-0470/075

WARNING LABEL EASTERN EUROPE



391 CAPABILITY-LABEL (Wi-Fi)

CN: HA004007		Set Name: MC-W 770/22			
✓	▽	▽	UN-D 28	TOLERANCES UNLESS OTHERWISE STATED	
. . Ra in um .			DIMENSIONS	ANGLE	UN-D 603
GENERAL ROUGHNESS		UNIT	MATERIAL	ITEM	ASSEMBLY NO.
---		mm	.		PATTERN NO.
SCALE		PROJ THIRD ANGLE	TREATMENT	ORDER NO.	QUANT.
---			.		
CLASS NO.		MICRO MC-W 770/22		. 2004-03-10	
4AE400				. 2004-01-28	
2003-10-17				-	
2004-01-30				-	
				9073 100 11877	
NAME Thomas WALTER		SUPERS	xxxx xxx xxxx	3	10
---		CHECK	DATE 2003-11-06	166 - 2	A3
© KONINKLIJKE PHILIPS ELECTRONICS N.V.					

a

b

c

d

1 2 3 4