

4 Listen to radio

Tune to a radio station automatically

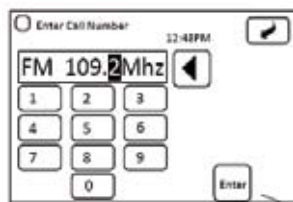
- 1 Press **SOURCE** to select **[Radio]**.
↳ Band and frequency information is displayed.



- 2 To select band, touch **FM1** or **AM1** first, then touch **[Band]**.
 - FM band options: **FM1, FM2, FM3**
 - AM band options: **AM1, AM2**
- 3 Touch **◀▶** or **▶▶** to tune to a radio station automatically.

Tune to a radio station manually

- 1 Press **SOURCE** to select **[Radio]**.
- 2 Touch **FM1** or **AM1** first, then touch **[Band]** to select band.
- 3 Touch **[Tune]**.
↳ The manual tune screen is displayed.



- 4 Touch the numbers to enter the frequency.
 - Touch **<--** to clear the last entered number.
 - Touch **[Clear]** to clear all the entered numbers.
- 5 Touch **[Enter]** to save.

Select tuner sensitivity

Before you start to search for radio stations, you can select tuner sensitivity.

- 1 Touch **[Local on]** or **[Local off]**.
 - **[Local on]**: Only stations with strong signals can be broadcast.
 - **[Local off]**: Stations with strong and weak signals can be broadcast.

Store radio stations in memory

You can store up to 6 stations in each band.

Store stations automatically

- 1 Touch **[Search]**.
↳ Auto search starts. The six strongest stations of the selected band are saved in preset channels 1-6 automatically.

Store stations manually

- 1 Tune to the station that you want to store.
- 2 Touch **[Preset]**.
↳ The preset screen is displayed.



- 3 Touch one of the preset stations.
↳ The station is saved in the selected channel.

Tune to a preset station

- 1 Touch **FM1** or **AM1** first, then touch **[Band]** to select band.
- 2 Touch ▲ or ▼ to select a preset station.

5 Play video

You can play DVD video, VCD and DivX video files with the system.

Play/Pause

- 1 Load disc CE-CED750-Load discs (see 'Load discs' on page 18), or insert USB device (see 'Insert USB device' on page 19) or SD/MMC card (see 'Insert SD/MMC card' on page 19) with video files.
 - ↳ The system switches to the connected device in a few seconds.
 - ↳ To switch to other device, press **SOURCE** repeatedly until the device name is displayed.
- 2 For video discs, if a menu appears, press **▶||** to start play.



For video files on an USB or SD/MMC device,

- Touch **↶** to return to home menu.
 - Touch xx (video file icon), then touch **↶** to display available video folder.
 - Select a folder by touching on it, then touch **[Select]**.
 - Select a video file by touching on it, then touch **▶** to start play.
- 3 To pause, touch **||** .
 - To resume play, touch **||** again.
 - 1 To stop, press **■** .

Skip/Search

Search by step

- 1 Press **DISP** to display menu on the screen.
- 2 Touch **◀◀** or **▶▶** to skip to the previous/next chapter/file.

Direct search

- 1 Press **DISP** to display menu on the screen.
- 2 Touch **[Options]**, then **[Goto]**.
 - ↳ The search screen is displayed.



- 3 Touch the numbers to enter chapter/file number; then touch **[Enter]**.

Select audio language

For video discs that contain two or more audio channels.

- 1 During play, press **DISC AUDIO** on the remote control repeatedly until the language is selected.

Select subtitle language

For DVD or DivX discs that contain two or more subtitle languages.

- 1 During play, press **SUBTITLE** on the remote control repeatedly until the language is selected.

Repeat

For DVD/VCD/DivX movie:

- 1 During play, press **REPT** repeatedly to select:
 - **[Repeat chapter]**: play the current chapter repeatedly.
 - **[Repeat title]**: play all chapters in the title repeatedly.
 - **[Repeat off]** : cancel repeat play.

For VCD karaoke:

- 1 During play, press **REPT** repeatedly to select:
 - **[Repeat 1]**: play the current track repeatedly.
 - **[Repeat all]**: play all tracks repeatedly.
 - **[Repeat off]**: cancel repeat play.

Selecting a different camera angle

Some DVDs contain alternate scenes, such as scenes recorded from different camera angles. For such DVDs, you can select from the available alternate scenes.

- 1 During play, touch **[Options]**.

- 2 Touch **[Angle]**, then .



Note

- Only applicable to discs contain sequences recorded from different camera angles.

6 Play audio files

With the system, you can play audio files from disc, USB device, SD/MMC card and your bluetooth device.

Note

- For CDs recorded in multiple sessions, only the first session is played.
- This system does not support MP3PRO audio format.
- If any special characters are present in the MP3 track name (ID3) or album name, it may not display correctly on the screen because these characters are not supported.
- Some WMA is protected by Digital Rights Management (DRM), it cannot be played on this system.
- Folders/files exceed the supported limit of this system are not displayed or played.

Play/Pause

- 1 Load discCE-CED750-Load discs (see 'Load discs' on page 18), insert USB device (see 'Insert USB device' on page 19), insert SD/MMC card (see 'Insert SD/MMC card' on page 19) or pair the bluetooth device with the system (see 'Pairing bluetooth devices' on page 19).
 - ↳ The system switches to the connected device in a few seconds.
 - ↳ To switch to other device, press **SOURCE** repeatedly until the device name is displayed.
- 2 For audio disc, play starts automatically. For audio files on USB device, SD/MMC card, or bluetooth device:
 - Touch **↵** to return to home menu.
 - Touch **xx** (audio file icon), then touch **↵** to display available audio folder.
 - Select a folder by touching on it, then touch **[Select]**.
 - Select an audio file by touching on it, then touch **▶** to start play.

- 3 To pause, touch **⏸**.
 - To resume play, touch **⏸** again.
- 1 To stop, press **■**.

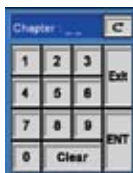
Skip/Search

Search by step

- 1 Press **DISP** to display menu on the screen.
- 2 Touch **◀◀** or **▶▶** to skip to the previous/next audio file.

Direct search

- 1 Press **DISP** to display menu on the screen.
- 2 Touch **[Options]**, then **[Goto]**.
 - ↳ The search screen is displayed.



- 3 Touch the numbers to enter file number, then touch **[Enter]**.

Intro play

For audio tracks, you can play the first 10 seconds of each track.

- 1 During play, press **INTRO.SCH.** on the system.
 - ↳ Intro play starts.
 - ↳ After the first 10 seconds of each track have been played, play stops. To cancel intro play, press **INTRO.SCH** again.

Repeat

For audio disc

- 1** During play, press **REPT** repeatedly to select:
- **[Repeat 1]**: play the current track repeatedly.
 - **[Repeat all]**: play all tracks repeatedly.
 - **[Repeat off]**: cancel repeat play.

For MP3/WMA audio file

- 1** During play, press **REPT** repeatedly to select:
- **[Repeat 1]**: play the current file repeatedly.
 - **[Repeat folder]**: play all files in the current folder repeatedly.
 - **[Repeat off]**: cancel repeat play.

Random play

You can play audio tracks/files in random order.

- 1** During play, touch on **⌘** repeatedly to select:
- **[Shuffle on]** : start random play.
 - **[Shuffle off]** : cancel random play.

7 Browse pictures

With the system, you can also view pictures stored on CD/DVD disc, USB device, and SD/MMC card.

- 1 Load discCE-CED750-Load discs (see 'Load discs' on page 18), or insert USB device (see 'Insert USB device' on page 19) or SD/MMC card (see 'Insert SD/MMC card' on page 19) with JPEG files.
 - ↳ The system switches to the connected device in a few seconds.



- ↳ To switch to other device, press **SOURCE** repeatedly until the device name is displayed.
- 2 For picture disc, touch ► to start slide show.
For picture files on USB or SD/MMC card,
 - Touch ↶ to return to home menu.
 - Touch xx (picture file icon), then touch ↶ to display available picture folder:
 - Select a folder by touching on it, then touch [Select].
 - Select an picture file by touching on it, then touch ► to start slideshow.

Rotate pictures

- 1 When you view the picture, press **DISP.**
 - ↳ The menu is displayed.
- 2 Touch [**Rotate**] repeatedly to rotate the picture.

Zoom

You can zoom in pictures for a close view.

- 1 When you view the picture, press **DISP.**
 - ↳ The menu is displayed.
- 2 Touch [**Zoom**] repeatedly to zoom in the picture.



- 3 Touch ▲, ▼ or ◀▶ to pan through the enlarged picture.

Select slide show duration

You can sets the amount of time that a picture is shown.

- 1 Press to display menu.
- 2 Touch [**Duration**].
- 3 Touch numbers to set slide show duration (??).
- 4 Touch [**Enter**] to confirm (??).

8 Make/receive phone call

With this car audio system, you can make/receive phone calls if bluetooth is available on your phone.

Make a call

- 1 Pair the phone with the system (see 'Install remote control battery' on page 18).
- 2 Press **SOURCE** repeatedly to select **[Bluetooth]**.
↳ The bluetooth menu is displayed.



- 3 Touch or to select phone number from the following list:
 - **[Dial pad]**: dial number directly



- **[Dialed calls list]**: dialed number
 - **[Missed calls list]**: missed call
 - **[Received calls list]**: received call
 - **[Phone book list]**: Phone directory
 - **[SIM phonebook]**: SIM directory
- 4 Touch **☎** to dial.

Receive call

If there is another incoming call during call, **[Incoming call...]** flashes on the screen.

- 1 Touch **☎** to receive the call.
- 2 When conversation ends, touch **☎** to terminate the call.

Call transfer

You can transfer voice from loudspeaker to mobile phones during call.

- 1 Press **☎**.

9 Adjust sound

Adjust volume

- 1 Turn \odot clockwise/anticlockwise to increase/decrease volume.

Mute

You can turn off the sound of your audio.

- 1 During play, press **MUTE** \odot .
 - To turn the sound back on, press **MUTE** \odot again.

Select preset equalizer

You can select preset equalizer:

- **[User]**
- **[Techno]**
- **[Rock]**
- **[Classic]**
- **[Jazz]**
- **[Opitmal]**
- **[Flat]**
- **[Pop]**



Note

- Only when you selected the **[USER]** equalizer, the sound value adjusted can be retained.

- 1 Press **EQ**.
 - ↳ The current Equalizer setting is displayed.
- 2 Touch to adjust below settings:
 - **[BAS]**bass range: -7 to +7
 - **[MID]**middle range: -7 to +7.
 - **[TRE]**treble range: -7 to +7
 - **[LPF]** low pass filter range: 60, 80, 100, 200.

- **[MPF]**middle pass filter range: 500, 1K, 1.5K, 2.5K.
- **[HPF]**high pass filter range:10K, 12.5K, 15K, 17.5K.

- 3 Press \rightarrow to exit.

Adjut fader/balance

You can also adjust the front and rear speaker balance, the left and right speaker balance, and subwoofer settings.

- 1 Press **AUDIO**.
 - ↳ Below options are displayed:
- 2 Touch \blacktriangle or \blacktriangledown repeatedly to select the item to be adjusted:
 - **[Bal]** balance range: 12L to 12R. (L = left speaker; R = right speaker)
 - **[Fad]**fader range: 12R to 12F. (R = rear speaker; F = front speaker)
 - **[Sub.w]** subwoofer volume: 0 to -24.
- 3 Touch \rightarrow to exit.

10 Adjust settings

Adjust general system settings

- 1 Press **MENU**.
↳ The main menu is displayed.



- 2 Touch **[Setting]**.
↳ The setting menu is displayed.



- 3 Touch **[General]**.
- 4 Touch **▲** or **▼** to select the setting to be adjusted.

[Clock mode]	[12hr]	12-hour mode.
	[24hr]	24-hour mode.
[Time]		Set clock.
[LCD panel open]	[Auto]	Open/close screen automatically when the system is turn on/off.
	[Manual]	Press OPEN/CLOSE to open or close screen.
[Beep]	[On]	Turn on the beep sound. Each time you press a button, the unit beeps.
	[Off]	Turn off the beep sound.
[Calibration]		Calibrate the touch screen.
[Key color]	[Red]	Button backlight turns red.
	[Blue]	Button backlight turns blue.

- 5 Touch on the options to select an option.
- 6 Press **↵** to exit.

Adjust sound settings

- 1 Press **MENU**.
- 2 Touch **[Setting]**.
- 3 Touch **[Sound]**.
- 4 Touch **▲** or **▼** to select the setting to be adjusted.

[Sub.w]	[On]	Turn on the subwoofer.
	[Off]	Turn off the subwoofer.
[Sub.w filter]	80 Hz	Select subwoofer filter criteria.
	120 Hz	
	160 Hz	
[DBB]	[DBB on]	The Dynamic Bass Boost (DBB) function is on.
	[DBB off]	The DBB function is off.
[DRC]	[On]	
	[Off]	

- 5 Touch on the options to select an option.
- 6 Press ↵ to exit.

Adjust video settings

- 1 Press **MENU**.
- 2 Touch **[Setting]**.
- 3 Touch **[Videos]**.
- 4 Touch ▲ or ▼ to select the setting to be adjusted.

[Aspect ratio]	[Wide]	For widescreen display.
	[Normal]	For normal display.
[Video input]	[Auto]	The correct format is set automatically. Select this option if you are not sure which format should be selected.
	NTSC	Used in the United States, Canada, Japan, Mexico, the Philippines, South Korea, Taiwan, and some other countries.
	PAL	Used in the United States, Canada, Japan, Mexico, the Philippines, South Korea, Taiwan, and some other countries.
	SECAM	???
[Rear camera]	[Auto]	Turn on rear view camera automatically during reverse driving.
	[Manual]	Turn off rear view camera manually.
[Parking]	[On]	Turn on rear view camera automatically during parking.
	[Off]	Turn off rear view camera automatically during parking.
[DivX (R) reg code]		View code for DivX registration.

- 5 Touch on the options to select an option.
- 6 Press ↵ to exit.

Adjust bluetooth settings

- 1 Press **MENU**.
- 2 Touch **[Setting]**.
- 3 Touch **[Bluetooth]**.

- 4 Touch ▲ or ▼ to select the setting to be adjusted.

[Bluetooth]	[On]	Turn on the bluetooth function.
	[Off]	Turn off the bluetooth function.
[Auto connect]	[On]	If the pre-paired device is within the effective range, the system re-connects to pre-paired device automatically.
	[Off]	Need to re-connect manually.
[Auto answer]	[On]	Answer paired phone call automatically.
	[Off]	Answer hone call manually.
[Pairing code]		View code for pairing the system with other bluetooth devices.

- 5 Touch on the options to select an option.
6 Press ↩ to exit.

Adjust language settings

- 1 Press MENU.
2 Touch [Setting].
3 Touch [Language].
4 Touch ▲ or ▼ to select the setting to be adjusted.

[OSD]	[English]	Select on-screen-display language.
	[Spanish]	
	[Portuguese]	
[DVD audio]	[English]	Select DVD audio language. Options available are depends on DVD disc.
	[Spanish]	
	[Portuguese]	
[DVD subtitle]	[English]	Select DVD subtitle language. Options available are depends on DVD disc.
	[Spanish]	
	[Portuguese]	
	[Auto]	Display the default subtitle language of the loaded DVD disc.
	[Off]	Turn off subtitle language display.
[Disc menu]	[English]	Select DVD menu language. Options available are depends on DVD disc.
	[Spanish]	
	[Portuguese]	

- 5 Touch on the options to select an option.
6 Press ↩ to exit.

Adjust volume settings

- 1 Press MENU.
2 Touch [Setting].
3 Touch [Volume].
↳ The volume setting sub-menu is displayed.
- 4 Select source by touching on it.
5 Touch ▲ or ▼ to set value..
6 Press ↩ to exit.

Adjust DVD rating

- 1 Press **MENU**.
- 2 Touch **[Setting]**.
- 3 Touch **[DVD rating]**.
- 4 Touch **▲** or **▼** to select the setting to be adjusted.

[Set password]		Set password to restrict the play of discs. The default password is 0000.
[Rating]	[1. Kid safe]	Acceptable for children.
	[2. G]	Acceptable for general viewers.
	[3. PG]	Parental guidance suggested.
	[4. PG-13]	Unsuitable for children under age 13.
	[5. PG-R]	Recommend parents to restrict children under 17 to view.
	[6. R]	Restricted. Recommend parent to guide children under 17 to view.
	[7. NC-17]	Unsuitable for children under age 17.
	[8. Adult]	Acceptable for adults only.
[Load factory]		Restore to default settings.

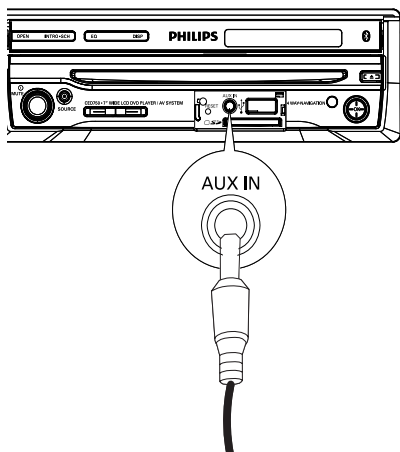
- 5 Touch on the options to select an option.
- 6 Press **↩** to exit.

11 Others

Listen to other devices

You can connect an external sound device to the unit.

- 1 Connect the external sound device to the unit by using a 3.5 mm plug.

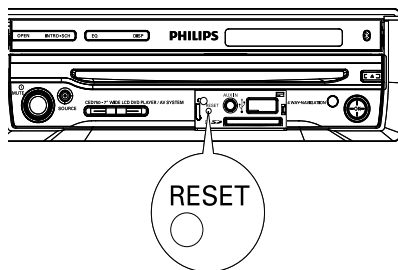


- 2 Press **SOURCE** repeatedly until **[AUX]** is displayed.
- 3 Operate the device (refer to the instructions supplied with the device).

Reset

When mail-function is found, you can reset the unit.

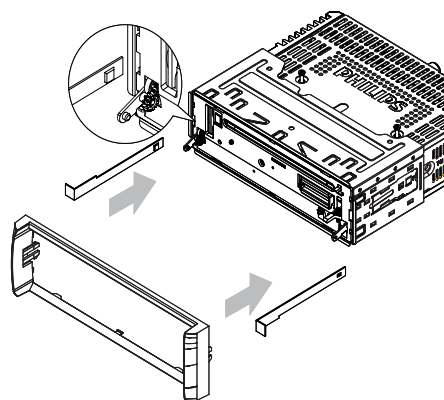
- 1 Press **RESET** by using a ball-point pen or a similar tool.
↳ All settings are erased except clock.



Remove the unit

To repair, replace fuse, or replace the unit with another car audio, remove it from the dashboard.

- 1 Remove the unit with the removal keys.



Replace fuse

If there is no power, the fuse may be damaged and need to be replaced.

- 1 Take out the unit from dashboard.
- 2 Check the electric connection.
- 3 Buy a fuse that matches the voltage of the damaged fuse (15A)

4 Replace the fuse.

If the fuse gets damaged immediately after it has been replaced, there may be an internal malfunction. In such case, consult your Philips dealer.

12 Product information



Note

- Product information is subject to change without prior notice.

General

Power supply	12 V DC (11 V - 16 V), negative ground
Fuse	15 A
Suitable speaker impedance	4 - 8 Ω
Maximum power output	50 W \times 4 channels
Continuous power output	24 W \times 4 channels (4 Ω 10% T.H.D.)
Pre-Amp output voltage	2.0 V (CD play mode; 1 kHz, 0 dB, 10 k Ω load)
Subwoofer output voltage	2.0 V (CD play mode)
Aux-in level	\geq 500 mV
Dimensions (W \times H \times D)	188 \times 58 \times 193 mm
Weight	1.7 kg

Disc player

System	Disc digital audio system
Frequency response	20 Hz - 20k Hz
Signal/noise ratio	>75dB
Total harmonic distortion	Less than 0.30% (1K Hz)
Channel separation	>55dB
Video signal format	NTSC/PAL/AUTO
Video output	1 +/- 0.2V

Tuner

Frequency range - FM	87.5 - 108.0 MHz (Europe) 65.0 - 74.0 MHz.(OIRT) 87.5 - 107.9 MHz (American)
Frequency range - AM(MW)	522 - 1620 KHz (Europe) 530 - 1710 HKz (American)
Usable sensitivity - FM	8 μ V
Usable sensitivity - AM(MW) (S/N = 20 dB)	30 μ V
Frequency response	30 Hz - 15 KHz
Stereo separation	30 db (1 kHz)
Signal/noise ratio	>55 dB

LCD

Screen size	3.5 inches (16:9)
Display resolution	320 \times 234 dots
Active area	76.32 \times 42.822 mm
Dot pitch	0.2385 \times 0.183 mm
Contrast ratio	350
Brightness	220 cd/m

Compatible USB devices:

- USB flash memory (USB 2.0 or USB1.1)
- USB flash players (USB 2.0 or USB1.1)
- memory cards

Supported formats:

- USB or memory file format FAT12, FAT16, FAT32 (sector size: 512 bytes)
- MP3 bit rate (data rate): 32-320 Kbps and variable bit rate
- WMA v9 or earlier
- Directory nesting up to a maximum of 8 levels
- Number of albums/ folders: maximum 99
- Number of tracks/titles: maximum 999
- ID3 tag v2.0 or later
- File name in Unicode UTF8 (maximum length: 128 bytes)

Unsupported formats:

- Empty albums: an empty album is an album that does not contain MP3/WMA files, and is not be shown in the display.
- Unsupported file formats are skipped. For example, Word documents (.doc) or MP3 files with extension .dlf are ignored and not played.
- AAC, WAV, PCM audio files
- DRM protected WMA files (.wav, .m4a, .m4p, .mp4, .aac)
- WMA files in Lossless format
- ISO9660, Joliet
- Maximum title number: 512 (depending on file name length)
- Maximum album number: 255
- Supported sampling frequencies: 32 kHz, 44.1kHz, 48 kHz
- Supported Bit-rates: 32~256 (kbps), variable bit rates

13 Troubleshooting



Caution

- Never remove the casing of this system.

To keep the warranty valid, never try to repair the system yourself.

If you encounter problems when using this system, check the following points before requesting service. If the problem remains unsolved, go to the Philips web site (www.Philips.com/support). When you contact Philips, ensure that your system is nearby and the model number and serial number are available (see 'Get started' on page 12).

No power

- Car engine has not been started. Start the car engine.
- Connections is incorrect.
- Fuse has been damaged. Replace fuse.

No sound

- Volume is too low. Adjust volume.
- Speaker connections is incorrect.

No response to the remote control

- Ensure that the path between the remote control and the unit is clear from obstacles.
- From a close distance, point the remote control directly at the unit.
- Replace the remote control battery.
- The function does not work. Refer to the instructions.

Disc does not play

- Disc is upside down. Ensure the printed side is upwards.
- Disc is dirty. Clean the disc with a clean, soft, lint-free cloth. Wipe the disc outwards from the center.
- Disc is defective. Try another disc.
- Incompatible disc is used. Try another disc.
- Disc rating exceeds the restrict setting. Change the rating settings to lower one.

- Disc region code is not compatible with the unit. Use disc with proper region code.

No image

- Parking brake wire connection is incorrect. Check the parking wiring.

Image flashes or distorted

- Video DVD settings do not match with the DVD. Adjust video DVD settings.
- Video connection is improper. Check the connections.

Noise in broadcasts.

- Signals are too weak. Select other stations with stronger signals.
- Check the connection of the car antenna.
- Change broadcast from stereo to mono.

Preset stations lost.

- Battery cable is not correctly connected. Connect the battery cable to the terminal that is always live.

Fuse is broken

- The Fuse type is incorrect. Replace it with a 15A fuse.
- Speaker wire or power wire is grounded. Check the connections.

Display show ERR-12

- USB/SD/MMC data error. Check the USB device or SD/MMC card.

14 Glossary

technology, and Windows Media Audio encoding technology.

M

MMC

MultimediaCard. A type of memory card with a flash memory.

MP3

A file format with a sound data compression system. MP3 is the abbreviation of Motion Picture Experts Group 1 (or MPEG-1) Audio Layer 3. With the MP3 format, one CD-R or CD-RW can contain about 10 times more data than a regular CD.

R

Region code

A system that allows discs to be played only in the region designated. This unit only plays discs that have compatible region codes. You can find the region code of your unit on the product label. Some discs are compatible with more than one region (or ALL regions.)

S

SD

Secure Digital. A type of memory card with a flash memory.

SDHC

Secure Digital High Capacity (SDHC) is a type of flash memory card based on the SDA 2.00 specification. The SDA 2.00 specification enables SD cards to reach higher capacities from 4GB to 32GB, and growing.

W

WMA (Windows Media Audio)

An audio format owned by Microsoft, is a part of Microsoft Windows Media technology. Includes Microsoft Digital Rights Management tools, Windows Media Video encoding

