

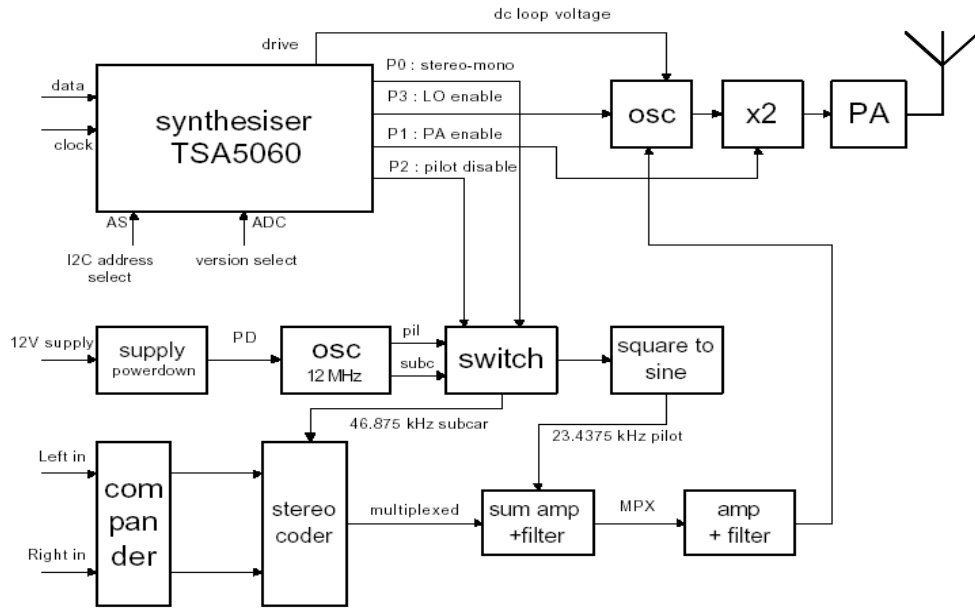


PHILIPS TESTING SERVICE

FCC ID: BOU AD905W

8. BLOCKDIAGRAM OF THE MARK-3 TRANSMITTER

PHILIPS



All rights are reserved. Reproduction whole or in part is prohibited without the written consent of the copyright owner.
 Alle rechten voorbehouden. Het verspreiden of kopiëren van dit document is strafbaar.
 All rights reserved. Reproduction whole or in part is prohibited without the written consent of the copyright owner.

3XX000	Mark 3 Wireless Transmitter		3104 217 0711	0	2002-02-04
	1			0	2002-02-22
	2			0	2002-03-05
	3				
Name: Felix Elsen		PDSL_L	5	190 - 3	10
FL		Or. date: 2002-01-12	© Koninkrijk Philips Electronics N.V. All rights reserved		

A Division of Philips Consumer
 Electronics Mainstream
 One Philips Drive
 P.O. Box 14810
 Knoxville, TN 37914-1810
 Tel: (865) 521-1630

Our Commitment To Excellence Is
 Total Customer Satisfaction