

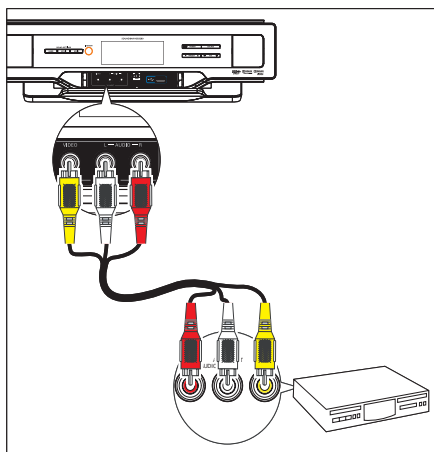
### Option 3: Connect devices through this soundbar to the TV (advanced)

If you want to connect all the devices for use to this soundbar and the TV has an available digital output socket, follow these instructions.

- 1 Connect the AV devices directly to the soundbar:

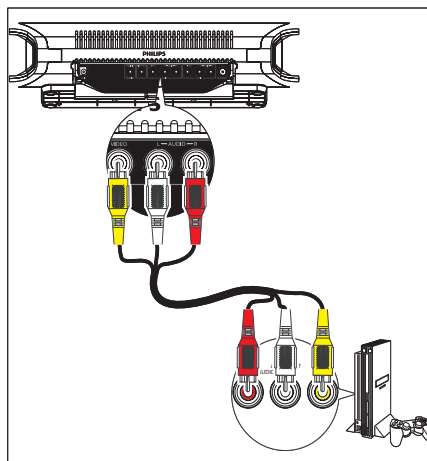
**A** DVD player:

Connect the AV output sockets on the DVD player to the **AV FRONT (VIDEO L-AUDIO-R)** sockets.



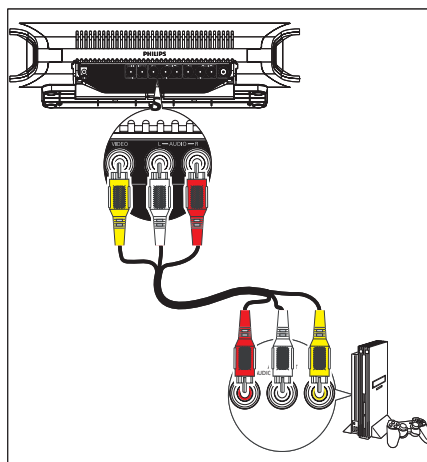
**B** Game console 1:

Connect the AV output sockets on a game console to the **AV1 IN (VIDEO L - AUDIO - R)** sockets.

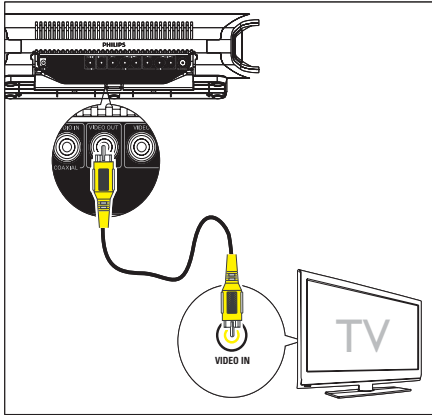


**C** Game console 2:

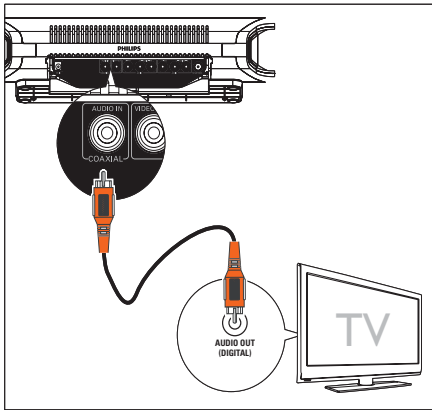
Connect the AV output sockets on the other game console to the **AV2 IN (VIDEO L - AUDIO - R)** sockets.



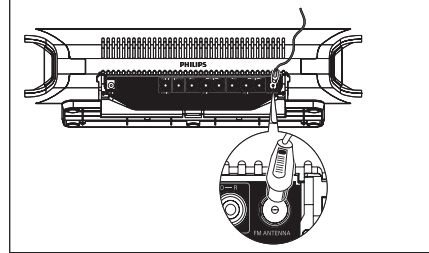
- 2 Connect the video input socket on the TV to the **VIDEO OUT** socket with the supplied yellow composite cable.



3 Connect the digital output socket on the TV to the **AUDIO IN - COAXIAL** socket with the supplied orange coaxial cable.



## Connect FM antenna



### Tip

- For optimal reception, fully extend and adjust the position of the antenna.
- For better FM stereo reception, connect an outdoor FM antenna to the **FM ANTENNA** socket.
- The soundbar does not support AM radio reception.

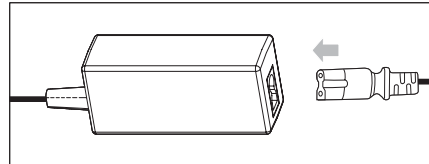
1 Connect the supplied FM antenna to the **FM ANTENNA** socket.

## Connect power

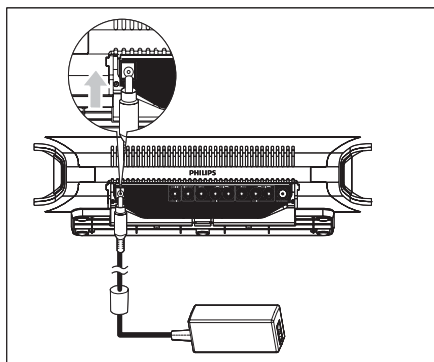
### Caution

- Risk of product damage! Ensure that the power supply voltage corresponds to the voltage printed on the back or the underside of the soundbar.
- Risk of electric shock! When you unplug the AC adaptor, always pull the plug from the socket. Never pull the cord.
- Before connecting the AC adaptor, ensure you have completed all other connections.

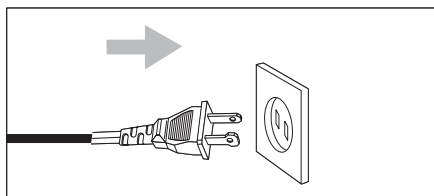
1 Prepare the AC adaptor:



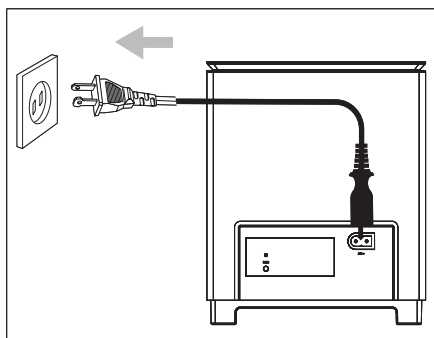
2 Connect one end to the **DC IN** socket on the main unit.



**3** Connect the other end to the wall outlet.



**4** Connect the power plug of the digital wireless subwoofer to the wall outlet.



## Install remote control batteries

### ! Caution

- Risk of explosion! Keep batteries away from heat, sunshine or fire. Never discard batteries in fire.
- Perchlorate Material - special handling may apply. See [www.dtsc.ca.gov/hazardouswaste/perchlorate](http://www.dtsc.ca.gov/hazardouswaste/perchlorate).

### For first-time use:

**1** Remove the protective tab to activate the remote control battery.

### To replace the remote control battery:

- 1** Open the battery compartment.
- 2** Insert one lithium CR2025 battery with correct polarity (+/-) as indicated.
- 3** Close the battery compartment.

### ≡ Note

- Before pressing any function button on the remote control, first select the correct source with the remote control instead of the main unit.
- If you are not going to use the remote control for a long time, remove the battery.

## Set clock

- 1** In the standby mode, press and hold **SET TIME/PROG** to enter the clock setting mode.
  - ↳ The hour digits are displayed and begin to blink.
  - ↳ If the hour digits are not displayed, press and hold **⏻** for more than 2 seconds to switch to standby mode, then repeat step 1.
- 2** Press **+VOL -** to set the hour.
  - ↳ The minute digits are displayed and begin to blink.
- 3** Press **+VOL -** to set the minute.

- 4 Press **SET TIME/PROG** to confirm the clock setting.

---

## Turn on

- 1 Press **⏻**.
  - ↳ The soundbar switches to the last selected source.
- 2 Wait for automatic setup of wireless connection between the main unit and subwoofer:
  - ↳ **[PAIRING]** (pairing) flashes.
  - ↳ If the connection succeeds, **[PAIR OK]** (pair OK) and **Ⓜ** are displayed and the blue indicator on the subwoofer lights up.
  - ↳ If the connection fails, **[PAIR FAIL]** (pair fail) is displayed and the green indicator on the subwoofer lights up.
  - ↳ If the wireless connection fails, set up the connection manually.

- ↳ The blue and green indicators on the subwoofer flash alternately.

- ↳ **[PAIRING]** (pairing) flashes.

- 2 Press and hold **PAIR** on the subwoofer for 3 seconds.

- ↳ **[PAIR OK]** (pair OK) and **Ⓜ** are displayed and the blue indicators on the subwoofer lights up.

- 3 Turn on the main unit again.



### Note

- If the wireless connection fails again, check whether there is any conflict or strong interference (for example, interference from other electronic devices) around your location. After removal of the conflict or strong interference, repeat the above procedures.

---

## Switch to standby mode

To switch the soundbar to standby mode:

- 1 Press **⏻**.
  - ↳ The clock (if set) is displayed.

To switch the soundbar to Eco Power Standby mode:

- 1 Press and hold **⏻** to switch the soundbar to Eco Power Standby mode.
  - ↳ The backlight on the display panel turns off.
  - ↳ The blue Eco Power indicator lights up.

---

## Set up wireless connection manually

- 1 In standby mode, press and hold **SOURCE** on the main unit for 3 seconds.

## 4 Play

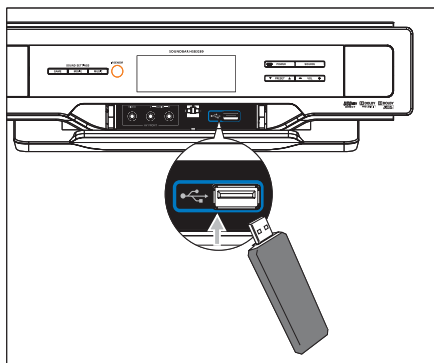
### Play an AV source through this soundbar

#### Note

- Ensure that you have made the necessary AV connections (see 'Connect AV devices' on page 14).

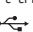
- 1 Press **AV 1**, **AV 2**, **AV FRONT** or **COAX** to select an AV source.

### Play from USB



#### Note

- Ensure that the USB device contains playable music (see 'USB playability information' on page 26).

- 1 Flip open the cover on the front panel.
- 2 Insert the USB plug of a USB device into the  socket.
- 3 Press **USB** to select the USB source.  
↳ The total number of tracks is displayed.
- 4 Press **PRESET/ALB/▲▼** to select a folder.
- 5 Press **◀▶** to select a file.
- 6 Press **OK / ▶||** to start play.

## 5 Control USB play

### Skip to a track

- 1 Press **PRESET/ALB/▲▼** to select an album (folder).
- 2 Press **◀▶** to select a track (file).

### Pause/resume play

- 1 During play, press **OK / ▶||** to pause/resume play.

### Search within a track

- 1 During play, press and hold **◀▶▶▶**.
- 2 Release to resume normal play.

### Repeat play

- 1 During play, press **REPEAT** repeatedly to select:
  - ↳ **[REPEAT]** (repeat): play the current track repeatedly.
  - ↳ **[REPEAT ALL]** (repeat all): play all tracks repeatedly.
  - ↳ **[REPEAT]** (repeat) and **[ALB]** (album): play the current album repeatedly.
- 2 To return to normal play, press **REPEAT** until the selected function is no longer displayed.

### Random play

- 1 Press **SHUF**.
  - ↳ All tracks are played randomly.

- 2 To return to normal play, press **SHUF** again.



Tip

- The repeat and shuffle functions cannot be activated at the same time.

English

### Program tracks

You can program a maximum of 20 tracks.

- 1 Press **SET TIME/PROG** to activate the programming mode.
  - ↳ A track number flashes.
- 2 Press **PRESET/ALB/▲▼** to select the album where the track is located.
- 3 Press **◀▶** to select a track number to program, then press **SET TIME/PROG** to confirm.
  - ↳ **[P-X]** is displayed, where "X" is the next position in the program.
- 4 Repeat steps 2 to 3 to select and store all tracks to program.
- 5 Press **SET TIME/PROG** to complete.
  - ↳ **[PROG]** (program) is displayed.
- 6 Press **OK / ▶||** to play the programmed tracks.
  - To erase the program, press **SET TIME/PROG**.

## 6 Adjust volume level and sound effect

### Adjust volume level

- 1 During play, press **VOL + / -** to increase/decrease the volume level.

### Adjust subwoofer volume

- 1 In **AV1, AV2, AV FRONT** or **COAXIAL** mode, press **MUSIC MODE/SUBW VOL** to adjust the subwoofer volume.

### Select a sound effect

#### Note

- You cannot use different sound effects at the same time.

### Select a game sound effect

- 1 During play, press **GAME SOUND** repeatedly to select:
  - **[SHOOTING]** (sporting)
  - **[SPORT]** (sport)
  - **[RACING]** (racing)
  - **[ARCADE]** (arcade)
  - **[NORMAL]** (normal)

### Select a movie sound effect

- 1 During play, press **MOVIE SOUND** repeatedly to select:
  - **[DRAMA]** (drama)
  - **[SCIENCE FICTION]** (science fiction)
  - **[ACTION]** (action)

- **[CONCERT]** (concert)
- **[NORMAL]** (normal)

### Select a music mode (for USB only)

- 1 During USB play, press **MUSIC MODE/SUBW VOL** repeatedly to select:
  - **[POP]** (pop)
  - **[JAZZ]** (jazz)
  - **[ROCK]** (rock)
  - **[CLASSIC]** (classic)
  - **[NORMAL]** (normal)

### Mute sound

- 1 During play, press **MUTE** to mute/unmute sound.

## 7 Tune to FM radio stations

- 1 Ensure that you have connected and fully extended the supplied FM antenna.
- 2 Press **TUNER**.
- 3 Press and hold **◀▶**.
- 4 When **[SEARCH]** (search) is displayed, release the button.
  - ↳ The FM tuner tunes to a station with strong reception automatically.
- 5 Repeat steps 3 and 4 to find more stations.

To tune to a weak station:

- 1 Press **◀▶** repeatedly until you find optimal reception.

### Program radio stations automatically

#### Note

- You can program a maximum of 20 preset radio stations.

- 1 Press **PRESET/ALB/▲▼** to select a preset number to start programming.
- 2 Press and hold **SET TIME/PROG** for 2 seconds to activate automatic programming.
  - ↳ **[AUTO]** (auto) is displayed.
  - ↳ All available stations are programmed in the order of waveband reception strength.
  - ↳ The last programmed radio station is played automatically.

### Program radio stations manually

#### Note

- You can program a maximum of 20 preset radio stations.

- 1 Tune to a radio station.
- 2 Press **SET TIME/PROG** to activate programming.
- 3 Press **PRESET/ALB/▲▼** to allocate a number from 1 to 20 to this radio station, then press **SET TIME/PROG** to confirm.
  - ↳ The preset number and the frequency of the preset station are displayed.
- 4 Repeat the above steps to program other stations.

#### Note

- To overwrite a programmed station, store another station in its place.

### Tune to a preset radio station

- 1 Press **PRESET/ALB/▲▼** to select a preset number that you want.



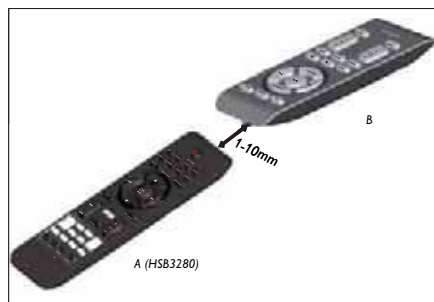
## 8 Use more of your soundbar

### Program remote control

You can store a total of 12 most frequently used functions of other AV devices in the smart remote control. This feature allows you to use only one remote control to operate all of your AV devices.

By default, the remote control codes of a Philips TV are stored in the smart remote control. The available preset buttons are **POWER**, **AV**, **▲CH**, **▼**, **▲VOL**, **▼**, **MUTE** and **SLEEP**.

- 1 Place the smart remote control (A) within 1mm-10mm distance from the other remote control (B).



- 2 Press **LEARN** for 2 seconds to activate the learning mode.
  - ↳ A blue indicator on the smart remote control (A) lights up.
- 3 Press the button on the other remote control (B) that is to be stored on the smart remote control (A).
  - ↳ If the code is received successfully, the blue indicator flashes.
- 4 Press one of the white learning buttons on the smart remote control (A) to store the code of this button.

↳ If the code is stored successfully, the indicator flashes green for 2 seconds, then turns blue again.

- 5 Repeat steps 3 and 4 to program more buttons on the smart remote control (A).
- 6 Press **LEARN** to exit the learning mode.

#### Note

- During the learning process, the normal remote control functions are disabled.

### Rename an AV source

- 1 Press **AV 1**, **AV 2**, **AV FRONT** or **COAX** to select an AV source you want to rename.
  - ↳ The default name of the selected sound source is displayed.
- 2 Press **SETUP** to activate the renaming mode.
  - ↳ The default name of the selected sound source flashes for 4 seconds.
- 3 Within 2 seconds, press **PRESET/ALB/▲** **▼** to select a name that matches the AV device connected with the current socket from:
  - **[TV]**
  - **[DVD]**
  - **[GAME]** (game)
  - **[SET TOP BOX]** (set top box)
  - **[CABLE]** (cable)
  - **[SATELLITE]** (satellite)

### Enable/disable automatic on/standby

This feature only applies to AV devices or TV with audio connection to the soundbar. The soundbar can detect the state of AV

devices that are connected through the audio connectors.

When automatic on/standby is enabled:

- If an AV device turns on, the soundbar turns on automatically.
- If an AV device switches to standby, the soundbar switches to standby after 5 minutes.

#### To enable

When the soundbar is turned on, press and hold **SOURCE** on the front panel for more than 2 seconds.

To disable

- 1 When the soundbar is turned on, press and hold **SOURCE** on the front panel for more than 2 seconds again.

## Set the alarm timer

- 1 Ensure that you have set the clock correctly.
  - 2 In standby mode, press and hold **TIMER**.
    - ↳ The hour digits are displayed and begin to blink.
  - 3 Press **+VOL -** to set the hour.
    - ↳ The minute digits are displayed and begin to blink.
  - 4 Press **+VOL -** to set the minute.
  - 5 Press **TIMER** to confirm.
  - 6 To activate the wake-up timer, press **+VOL -** to select **[ON]** (on).
    - ↳ A clock icon appears on the display.
    - ↳ The soundbar turns on automatically at the set time and switches to the last selected source.
- To deactivate the alarm timer, select **[OFF]** (off) at step 6.

## Set the sleep timer

- 1 When the soundbar is turned on, press **SLEEP** repeatedly to select a set period of time (in minutes).
  - ↳ The soundbar turns off automatically after the set period of time.

English

## 9 Product information

### Note

- Product information is subject to change without prior notice.

### Product information

#### Specifications

##### Amplifier

|                           |  |
|---------------------------|--|
| Rated Output Power        | 180W + 120W<br>(wireless subwoofer)<br>RMS |
| Frequency Response        | 25 - 16000 Hz, -6 ±2dB                     |
| Signal to Noise Ratio     | >65dB                                      |
| AV1, 2 Input              | 1.0V RMS 20kohm                            |
| Front AV Input            | 1.0V RMS 20kohm                            |
| Coaxial Input             | 0.5V RMS 75ohm                             |
| Total Harmonic Distortion | <1% (1 kHz)                                |

##### Tuner (FM)

|                           |               |
|---------------------------|---------------|
| Tuning Range              | 87.5 - 108MHz |
| Tuning grid               | 50KHz         |
| Sensitivity               |               |
| - Mono, 26dB S/N Ratio    | <22 dBf       |
| - Stereo, 46dB S/N Ratio  | >43 dBf       |
| Search Selectivity        | >28dBf        |
| Total Harmonic Distortion | <3%           |
| Signal to Noise Ratio     | >50dB         |

#### L/R speakers

|                   |                               |
|-------------------|-------------------------------|
| Speaker Impedance | 3ohm (woofer) + 3ohm(tweeter) |
| Speaker Driver    | 1.5" woofer+1.5" tweeter      |
| Sensitivity       | >82dB/m/W                     |

#### Subwoofer

|                   |                |
|-------------------|----------------|
| Speaker Impedance | 3ohm*subwoofer |
| Speaker Driver    | 6.5" subwoofer |
| Sensitivity       | >78dB/m/W      |

#### General information

|                               |                   |
|-------------------------------|-------------------|
| AC power                      | 120V, 60Hz        |
| Operation Power Consumption   | 35W               |
| Standby Power Consumption     | <10W              |
| Eco Standby Power Consumption | <1W               |
| USB Direct                    | Full Speed Ver1.1 |
| Dimensions (W x H x D)        |                   |
| Main unit and speakers        | 800 x 90 x 89.7mm |
| Subwoofer                     | 328 x 302 x 180mm |
| Weight                        |                   |
| With Packing                  | 9 kg              |
| Main unit and speakers        | 1.9 Kg            |
| Subwoofer                     | 5 kg              |

#### USB playability information

##### Compatible USB devices:

- USB flash memory (USB 2.0 or USB1.1)
- USB flash players (USB 2.0 or USB1.1)
- memory cards (requires an additional card reader to work with this soundbar)

##### Supported formats:

- USB or memory file format FAT12, FAT16, FAT32 (sector size: 512 bytes)
- MP3 bit rate (data rate): 32-320 Kbps and variable bit rate
- WMA v9 or earlier
- Directory nesting up to a maximum of 8 levels
- Number of albums/ folders: maximum 99
- Number of tracks/titles: maximum 999
- File name in Unicode UTF8 (maximum length: 128 bytes)

**Unsupported formats:**

- Empty albums: an empty album is an album that does not contain MP3/WMA files, and is not be shown in the display.
- Unsupported file formats are skipped. For example, Word documents (.doc) or MP3 files with extension .dlf are ignored and not played.
- AAC, WAV, PCM audio files
- DRM protected WMA files (.wav, .m4a, .m4p, .mp4, .aac)
- WMA files in Lossless format