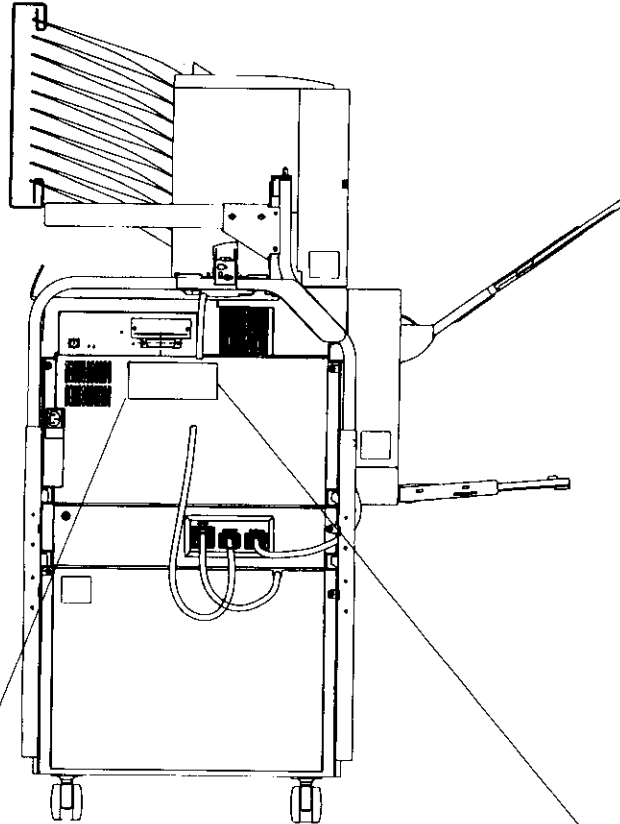




FCC ID LABEL

Rear View



EPSON EPL-N4000		 LISTED I.T.E. 179F E51242 C 
MODEL XYA-1 120V ~ 50/60Hz 9.5A SERIAL NO.		
CAUTION: DISCONNECT INPUT POWER BEFORE SERVICING. VORSICHT: VOR JEDER SERVICEARBEIT NETZSTECKER ZIEHEN!	ATTENTION: DEBRANCHER AVANT D'OUVRIR. ATENCION: DESCONECTE FUERZA ELECTRICA ANTES DEL SERVICIO	FCC ID : BKMFBXYA-1 <small>This device complies with Part 15 of the FCC Rules. Operation is subject to the following two conditions: (1) this device may not cause harmful interference, and (2) this device must accept any interference received, including interference that may cause undesired operation.</small> <small>The Class B digital apparatus complies with Canadian ICES-003. Cet appareil numérique de la classe B est conforme à la norme NMB-003 du Canada.</small>
SEIKO EPSON CORP. MADE IN JAPAN. PAT.P		This laser product conforms to the applicable requirement of 21 CFR Chapter I, subchapter J, Section 1010.1040 SEIKO EPSON CORP. Hirooka Office 80 Hirooka, Shiojiri-shi, Nagano-ken, JAPAN MANUFACTURED: