

## M224A (Bluetooth Interface board for printer)

---

### 1. Features

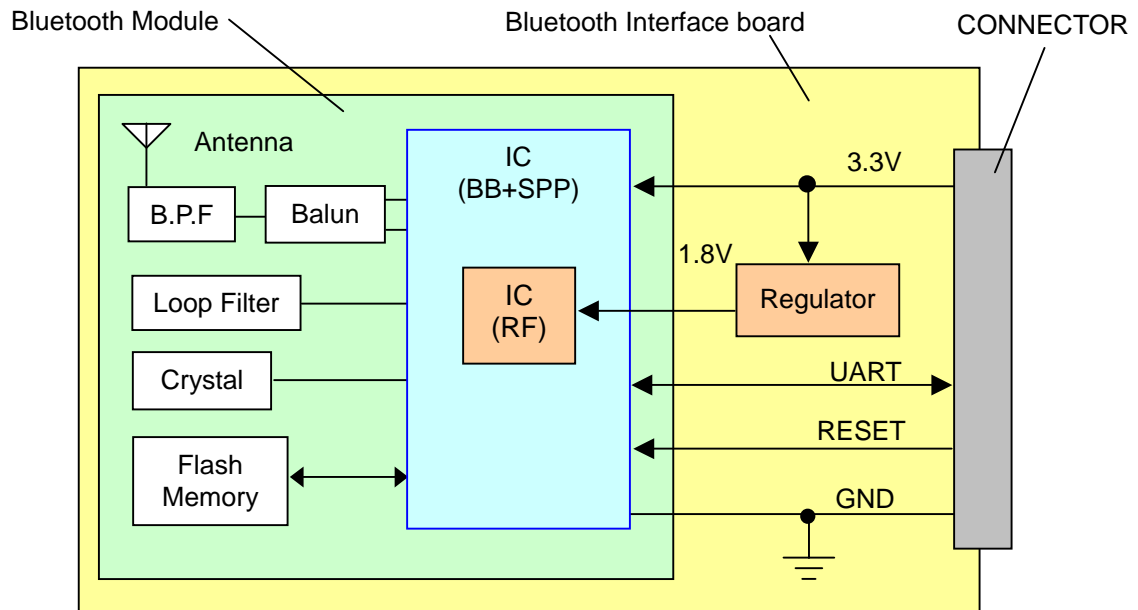
- 1) Model Number : M224A
- 2) Equipment description: Bluetooth Interface board for printer
- 3) Bluetooth® standard Ver 1.1 conformity (Modulation Type:GFSK)
- 4) Power Class2(Max 4dBm) Bluetooth Module
- 5) Designed for EPSON TM series printers
- 6) With Antenna is provided on board (Antenna Gain(MAX) = 2.044 dBi)
- 7) Internal baseband clock oscillator
- 8) Support functions: Serial Port Emulation(Point-To-Point)
- 9) Bluetooth wireless connection-to-UART bridge function
- 10) Interface(to printer): UART
- 11) Ground line is connected to the application for equipment via one of pins of connector

### 2. Technical Description

#### 2.1 Specification

Parameter	Description	Min	Typ	Max	Units
Carrier Frequency		2.402		2.480	GHz
Supply Voltage		3.0	3.3	3.6	V
RF Output Power	Measured in 50 ohm	-6	0	4	dBm
Rx Sensitivity		-	-83	-70	dBm
Operating Temperature		0	25	50	Degree C
Current Consumption	Data receiving		35		mA

## 2.2 Hardware Block Diagram



Ground line is connected to the application for equipment via one of pins of connector

## 2.3 Functional Block Diagram

