



# Notes on Safety

## Safety Indications

The documentation uses graphical symbols to show how to use the WirelessHD Transmitter safely. The following shows the symbols and their meanings. Please understand and respect these caution symbols in order to avoid injury to persons or property.

 <b>Warning</b>	This symbol indicates information that, if ignored, could possibly result in serious personal injury or even death due to incorrect handling.
 <b>Caution</b>	This symbol indicates information that, if ignored, could possibly result in personal injury or physical damage due to incorrect handling.

### **Warning**

- Pacemakers may be affected by electromagnetic interference which could cause malfunctions to occur. Make sure the product is at least 20 cm away from anyone with a pacemaker implanted. Also, make sure there is no one using a pacemaker in the immediate surroundings.
- Medical equipment may be affected by electromagnetic interference which could cause malfunctions to occur. Make sure there is no medical equipment in the immediate surroundings.
- Automatically controlled equipment may be affected by electromagnetic interference which could cause an accident to occur due to malfunctions. Do not use the product near automatically controlled equipment such as automatic doors or fire alarms.

### **Caution**

- Do not install the product in poorly ventilated locations such as on an AV rack or in a cabinet. Overheating could cause malfunctions to occur.
- When using the WirelessHD Transmitter, make sure there is nothing covering the vents and that it is placed on a flat surface at least 5 cm away from anything around or above it.
- Avoid locations subject to high temperatures such as close to heaters.
- If the product is being used continuously, make sure it is at least 20 cm away from anyone in the surrounding area.
- The antenna for the WirelessHD Transmitter is on the front of the product. If you are close to the WirelessHD Transmitter, do not look at it for long periods of time.
- Only use the AC adapter supplied with this product. Do not use the AC adapter supplied with any other products.

## Caution

---

- The WirelessHD Transmitter cannot be suspended from a wall.
- The WirelessHD Transmitter cannot be used from any position.
- Setup the projector and the WirelessHD Transmitter so that they are facing each other.
- Do not place any obstacles between the projector and the WirelessHD Transmitter.
- This product is for indoor use only. Do not use it outdoors.
- This product is only for use in the country of sale.
- Because the WirelessHD Transmitter performs wireless communication when communicating and when standing by, the external case may become warm. This does not indicate a malfunction.

## Notes on Usage

### Restrictions due to the Radio Act

---

The following actions are prohibited under Radio Acts passed in various countries.

- Remodeling or disassembling (including the antenna)
- Removing the conformance label

### Restriction of Use

---

- The projector and the WirelessHD Transmitter are manufactured according to the specifications of the country of sale.
- When this product is used for applications requiring high reliability/safety such as transportation devices related to aviation, rail, marine, automotive etc.; disaster prevention devices; various safety devices etc; or functional/precision devices etc, you should use this product only after giving consideration to including fail-safes and redundancies into your design to maintain safety and total system reliability. Because this product was not intended for use in applications requiring extremely high reliability/safety such as aerospace equipment, main communication equipment, nuclear power control equipment, or medical equipment related to direct medical care etc, please make your own judgment on this product's suitability after a full evaluation.

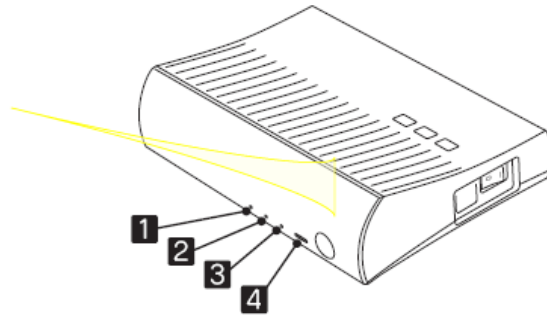
### Requesting Service

---

If you notice anything unusual during operation, or notice any damage, stop using the product immediately and contact the nearest address provided in the projector's User's Guide, or contact your local dealer.

# Indicator Status

- 1 ⏻ indicator (Blue)
- 2 WiHD indicator (Blue)
- 3 Link indicator (Blue)
- 4 TV indicator (Blue)



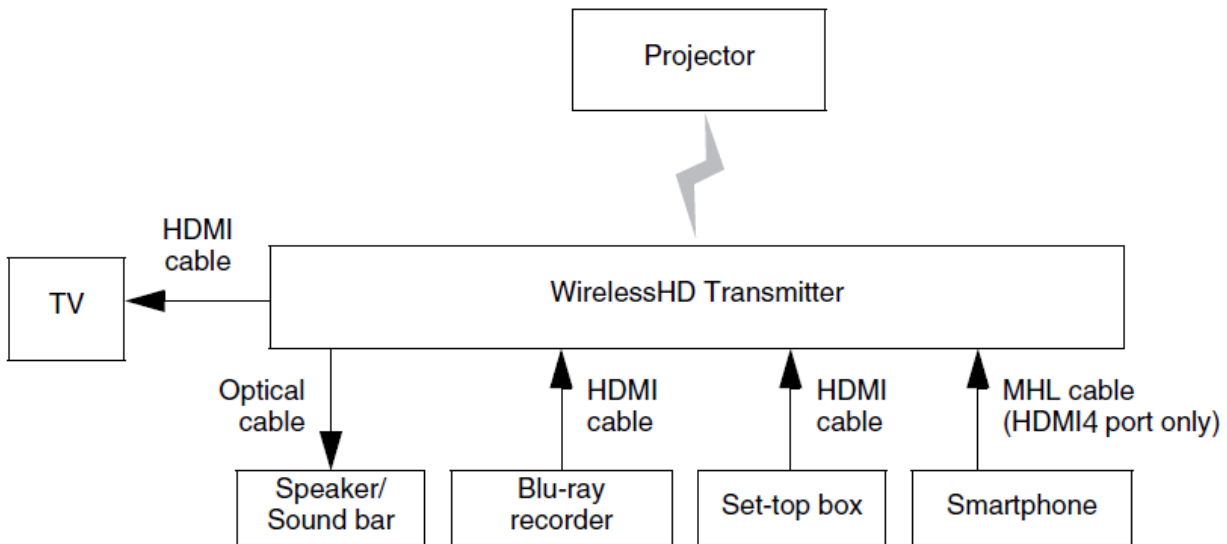
● : Lit/ ● (with three lines above) : Flashing/ ○ : Off

On/ Standby	WiHD	Link	TV	Indicates
○	○	○	○	Power is off.
●	○	○	○	Startup has been completed successfully, images can be output to the television or other monitor device connected to the Output port.
● (with three lines above)	●	○	○	WirelessHD communication is available at startup.
●	●	● (with three lines above)	○	WirelessHD communication is available while searching for the projector.
●	●	●	○	Images are being projected.
●	○	○	●	Output to the television or other device connected to HDMI Out.

# Connection Examples

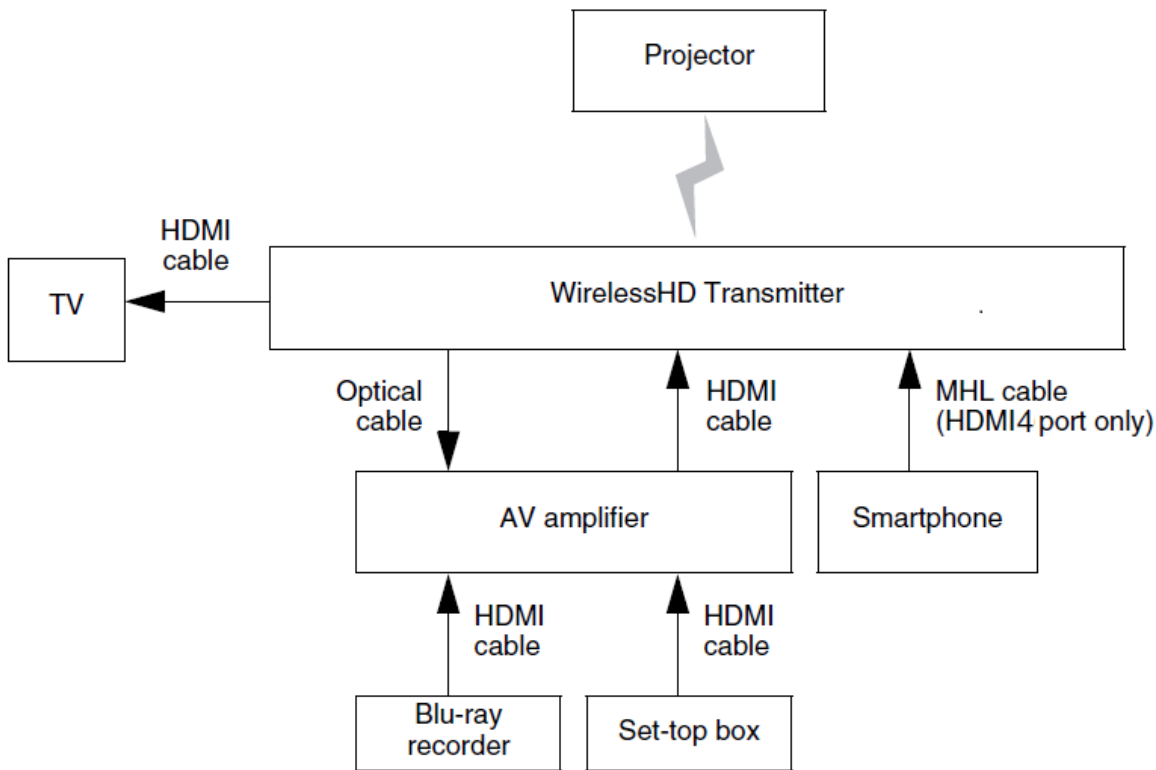
Connection examples of the WirelessHD Transmitter and EPSON projector are described below.

## Connection Example 1. Listening to Audio with a Speaker or Sound Bar



- If you want to output the audio of a connected device, purchase a commercially available optical cable.
- An HDMI or MHL device connected to the WirelessHD Transmitter can be controlled with the projector's remote control. However, the remote control may not work if an MHL-HDMI conversion adapter is used.

## Connection Example 2. Listening to Audio with an AV Amplifier



- If you want to output the audio of a connected device, purchase a commercially available optical cable.
- An HDMI or MHL device connected to the WirelessHD Transmitter can be controlled with the projector's remote control. However, the remote control may not work if an MHL-HDMI conversion adapter is used.
- The audio output method to an AV amplifier may be restricted depending on the specifications of the television or other monitor device connected to the Output port. For details on the audio output settings, refer to the User's Guide of each AV device.

## Storage and Maintenance

Clean the case of the WirelessHD Transmitter by wiping it gently with a soft cloth. If it is particularly dirty, moisten the cloth with water containing a small amount of neutral detergent, and then firmly wring the cloth dry before using it to wipe the surface. Do not use volatile substances such as wax, alcohol, or thinner to clean the projector's surface. The quality of the case may change or the paint may peel off.

## Specifications

Usable frequency	60 GHz band (2 - 3 ch)
Wireless transmission range	10 m
Power consumption (during operation)	13 W
Power consumption (during standby)	TBD
Operating temperature	+5 to 35 °C (no condensation)
Copyright protection	HDCP compatible
WirelessHD standards	Conforms to WirelessHD Ver. 1.1
Appearance	175 (W) x 62.2 (H) x 164 (D) mm
Mass	Approx. 0.6 kg
Connectors	HDMI Input port x 4 (MHL signal is only for HDMI4 port) HDMI Output port x 1 Optical Audio-Out port x 1 USB charger port x 1
AC adapter	12 V/2.5 A

## Trademarks

WirelessHD, WiHD, and the WiHD logo are trademarks or registered trademarks of WirelessHD LLC.

HDMI and High-Definition Multimedia Interface are the trademarks or registered trademarks of HDMI Licensing LLC. **HDMI**<sup>™</sup>

HIGH DEFINITION MULTIMEDIA INTERFACE

MHL and the MHL logo are a trademark, registered trademark or service mark of MHL, LLC in the United States and/or other countries.

Other product names used herein are also for identification purposes only and may be trademarks of their respective owners. Epson disclaims any and all rights in those marks.



### WirelessHD Transmitter

WirelessHD module model: WiT4-G0

#### U.S.

##### FCC Notices

FCC ID: BKMAE-WIT4G0

This device complies with Part 15 of the FCC Rules. Operation is subject to the following two conditions: (1) this device may not cause harmful interference, and (2) this device must accept any interference received, including interference that may cause undesired operation.

##### Caution:

Changes or modifications not expressly approved by the party responsible for compliance could void the user's authority to operate the equipment.

To comply with RF exposure compliance requirements, a separation distance of at least 20 cm must be maintained between the antenna of this device and all persons. This antenna of this device must not be co-located or used in conjunction with any other antenna or transmitter.

The cable for peripheral with a ferrite core must be used for RF interference suppression.

This device has been tested and found to comply with the limits for a Class B digital device, pursuant to Part 15 of the FCC Rules. These limits are designed to provide reasonable protection against harmful interference in a residential installation. This device generates, uses and can radiate radio frequency energy and, if not installed and used in accordance with the instructions, may cause harmful interference to radio communications. However, there is no guarantee that interference will not occur in a particular installation. If this equipment does cause harmful interference to radio or television reception, which can be determined by turning the equipment off and on, the user is encouraged to try to correct the interference by one or more of the following measures:

- Reorient or relocate the receiving antenna.
- Increase the separation between the equipment and receiver.
- Connect the equipment into an outlet on a circuit different from that to which the receiver is needed.
- Consult the dealer or an experienced radio/TV technician for help.

Epson America, Inc.  
MS: 3-13  
3840 Kilroy Airport Way Long Beach, CA 90806  
Tel :562-290-5254

#### Canada

##### Industry Canada (IC) Notices

IC: 1052D-WIT4G0

This Class B digital apparatus complies with Canadian ICES-003 and RSS-210. Cet appareil numérique de la classe B est conforme à la norme NMB-003 et CNR-210 du Canada.

CAN ICES-3 (B) / NMB-3 (B)

This device complies with Industry Canada license-exempt RSS standard(s). Operation is subject to the following two conditions: (1) this device may not cause interference, and (2) this device must accept any interference, including interference that may cause undesired operation of the device.

Le présent appareil est conforme aux CNR d'Industrie Canada applicables aux appareils radio exempts de licence. L'exploitation est autorisée aux deux conditions suivantes : (1) l'appareil ne doit pas produire de brouillage, et (2) l'utilisateur de l'appareil doit accepter tout brouillage radioélectrique subi, même si le brouillage est susceptible d'en compromettre le fonctionnement.

This device and its antennas(s) must not be co-located or operating in conjunction with any other antenna or transmitter except in accordance with IC multi-transmitter product procedures. Cet appareil et son antenne (s) ne doit pas être co-localisés ou fonctionner en association avec une autre antenne ou transmetteur.

##### IMPORTANT NOTE:

IC Radiation Exposure Statement:

This equipment complies with IC RSS-102 radiation exposure limits set forth for an uncontrolled environment. This equipment should be installed and operated with minimum distance 20 cm between the radiator & your body.

Cet équipement est conforme aux limites d'exposition aux rayonnements IC établies pour un environnement non contrôlé. Cet équipement doit être installé et utilisé avec un minimum de 20 cm de distance entre la source de rayonnement et votre corps.

#### Singapore

Complies with  
IDA standards  
DB101624

##### NCC警語：

(1)「經型式認證合格之低功率射頻電機，非經許可，公司、商號或使用者均不得擅自變更頻率、加大功率或變更原設計之特性及功能」。

(2)「低功率射頻電機之使用不得影響飛航安全及干擾合法通信；經發現有干擾現象時，應立即停用，並改善至無干擾時方得繼續使用。前項合法通信，指依電信法規定作業之無線電通信。低功率射頻電機須忍受合法通信或工業、科學及醫療用電波輻射性電機設備之干擾」。

