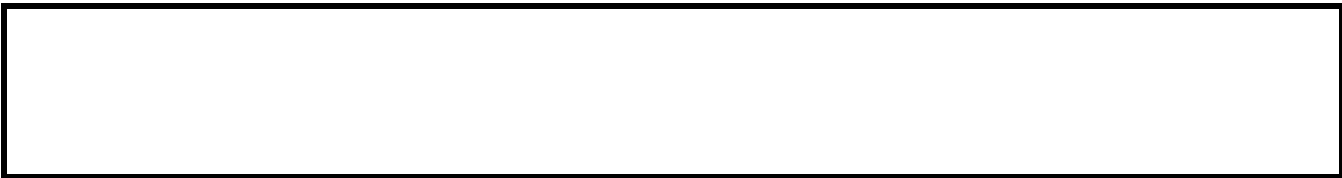


Antenna SPECIFICATION

Antenna Manufacturer Name	Quanta Computer Inc.
Address	No.188, Wenhua 2nd Road, Guishan District, Taoyuan City, Taiwan 33377
P/N:	NH7
Test DATE	20240618
DATASHEET REVISION	V1.0

_____Boson Huang_____

Test Engineer: Boson Huang



Description of Antenna

Frequency Range	ANT0 & ANT1 : 2.4G & 5G&6G; BT : 2.4G
Impedance	50 ohm
Antenna type	PIFA
Manufacturing Process	PCB layout antenna

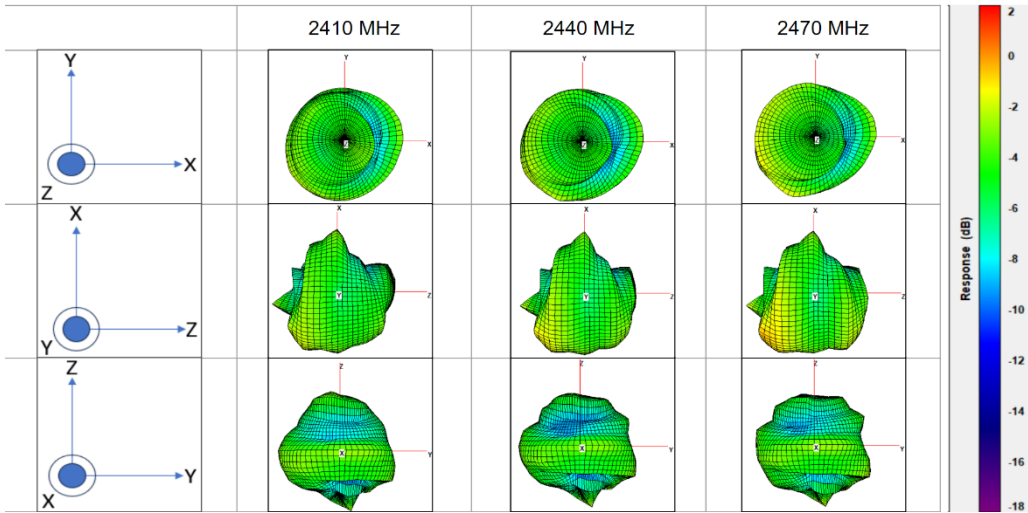
Antenna Peak Gain(dBi):

#3		ANT0	ANT1	BT
2.4G	2410 MHz	-0.912488	-0.0925573	-5.32149
	2440 MHz	-0.903812	-0.0705884	-3.76299
	2470 MHz	-0.275085	0.311321	-3.90899
5G	5180 MHz	2.41765	3.23896	
	5500 MHz	1.79384	1.53188	
	5820 MHz	1.69162	1.66099	
6G	6130 MHz	3.07064	0.831594	
	6450 MHz	1.78319	-0.210244	
	7010 MHz	1.43253	1.71021	

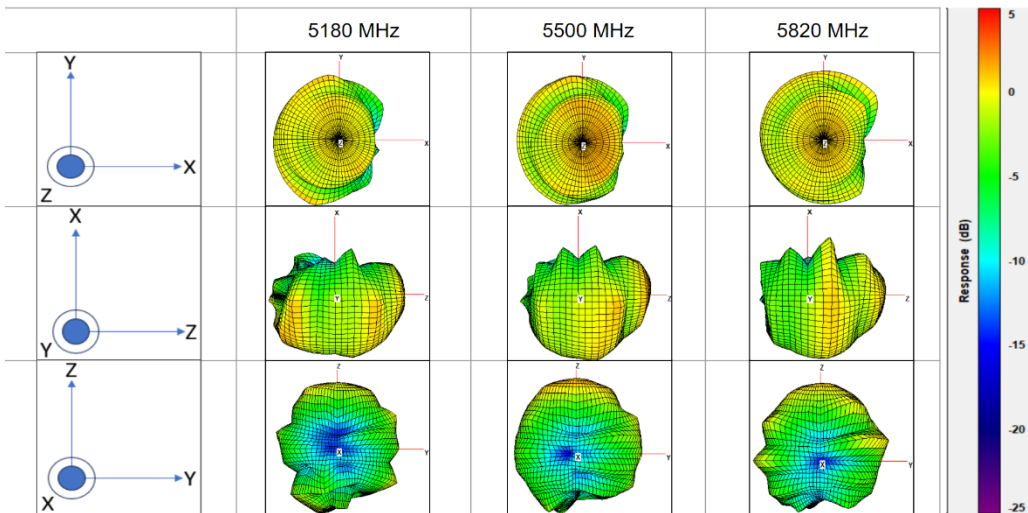


Antenna Pattern:

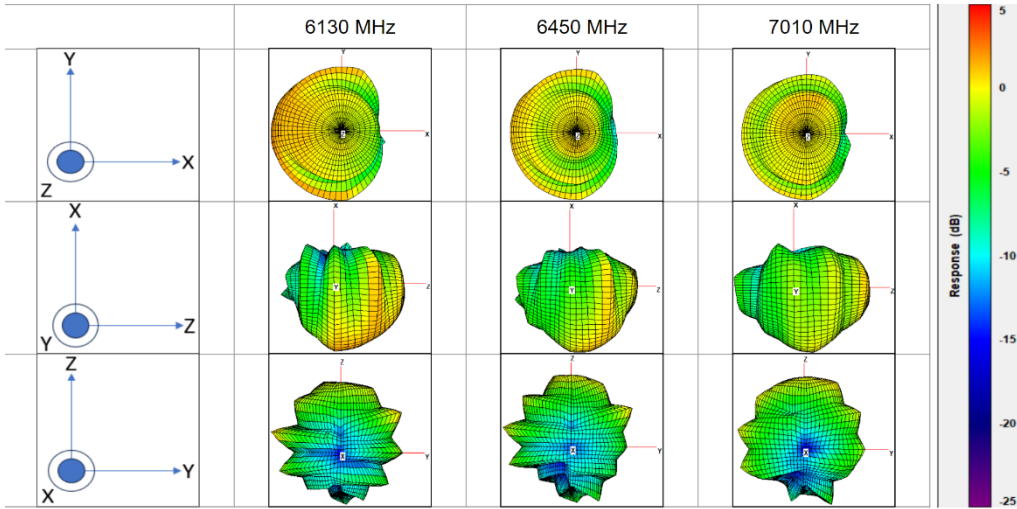
Radiation pattern _ ANT0 _ With 50 ohm



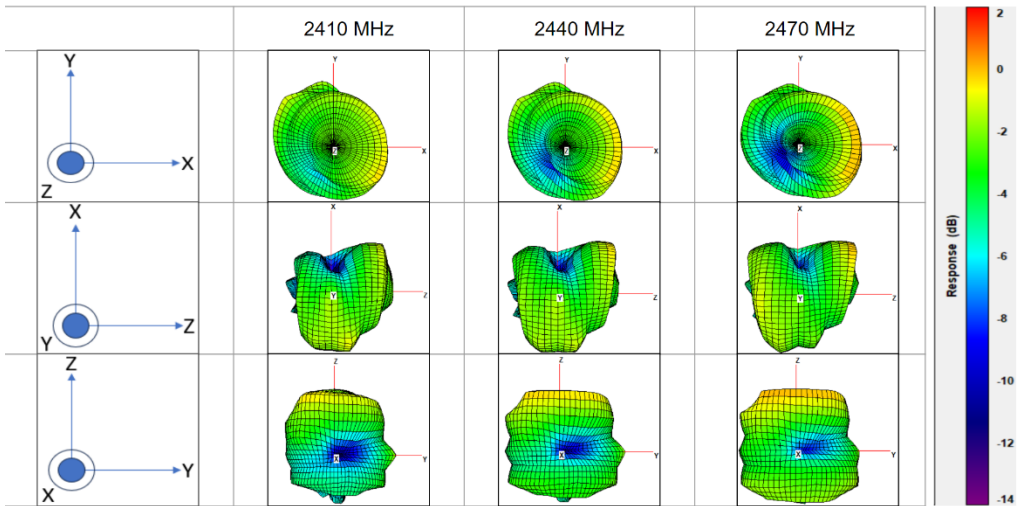
Radiation pattern _ ANT0 _ With 50 ohm



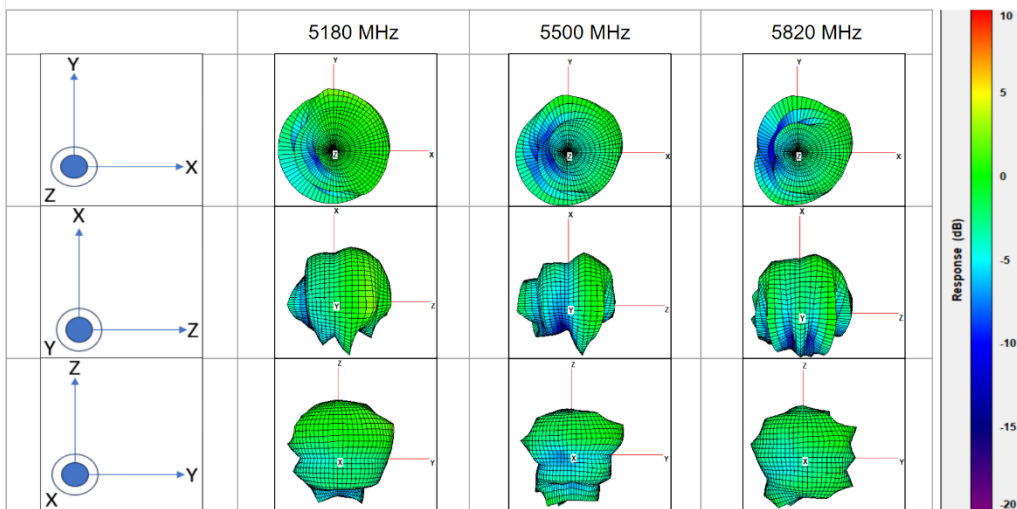
Radiation pattern _ ANT0 _ With 50 ohm



Radiation pattern _ ANT1 _ With 50 ohm

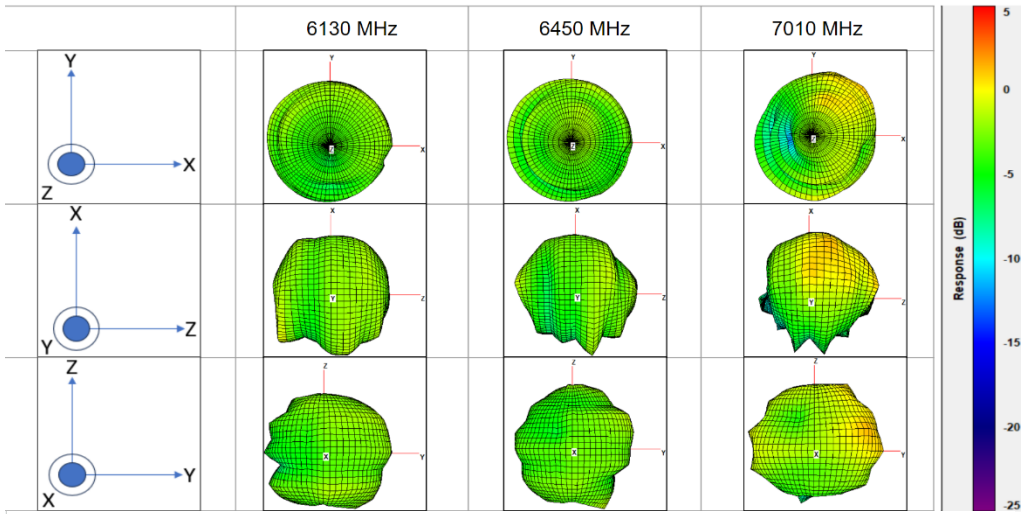


Radiation pattern _ ANT1 _ With 50 ohm





Radiation pattern _ ANT1 _ With 50 ohm



Radiation pattern _ BT _ With 50 ohm

