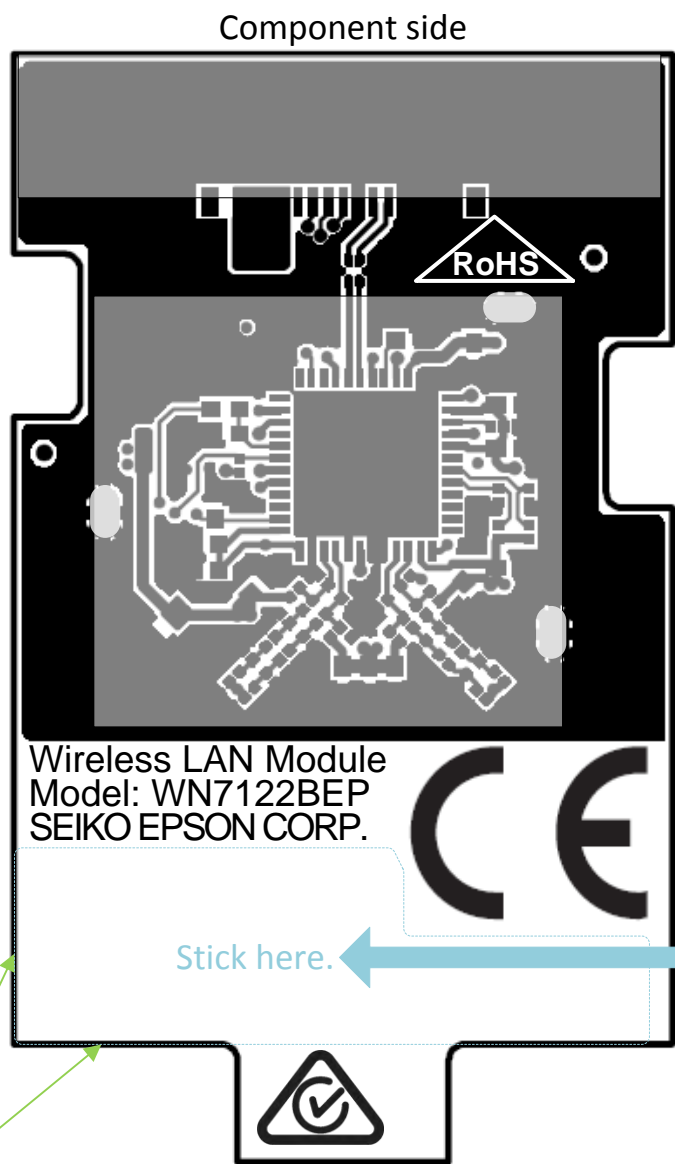
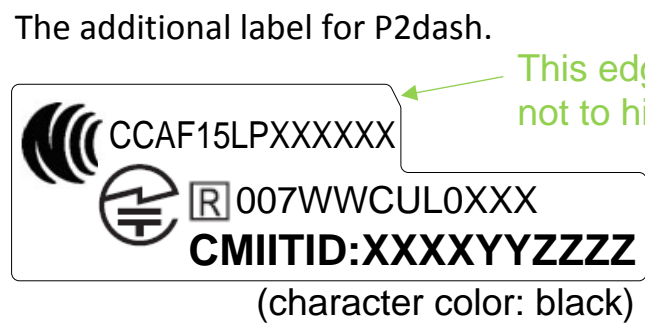


1. Starter version : Three certification marks and numbers are displayed by the additional label.

Printing color : White (Not RGB color)



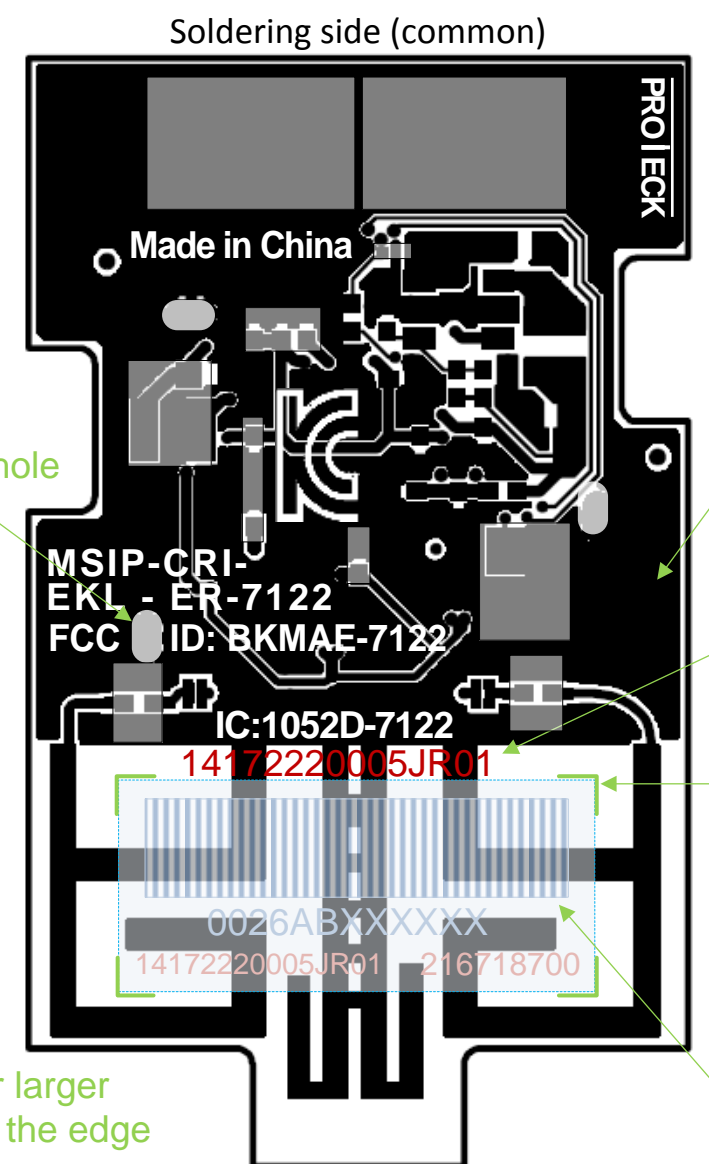
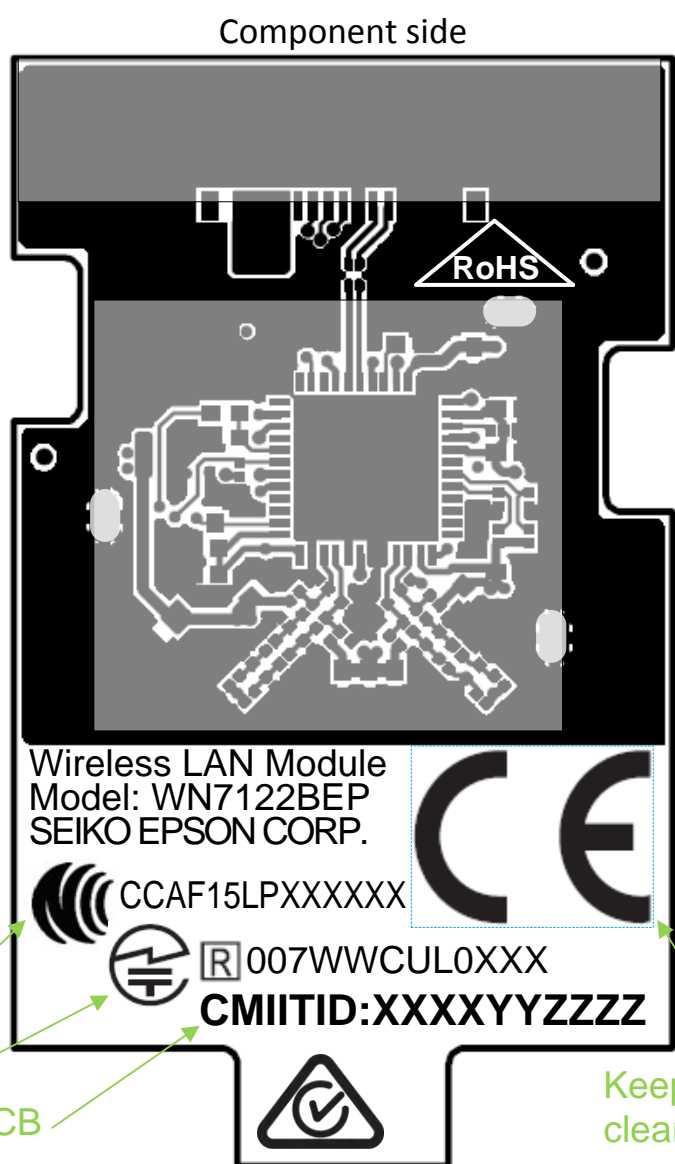
Soldering side is same as the permanent one.



The additional label will be adjusted by these two lines.

2. Permanent version : All certification marks and numbers are displayed on PCB.

Printing color : White (Not RGB color)



Silk print on PCB (color: white)

Keep 0.5mm or larger clearance from the edge

PCB UL logo is here. (by PCB vendor)

Arcadyan P/N by silk print (color: white)

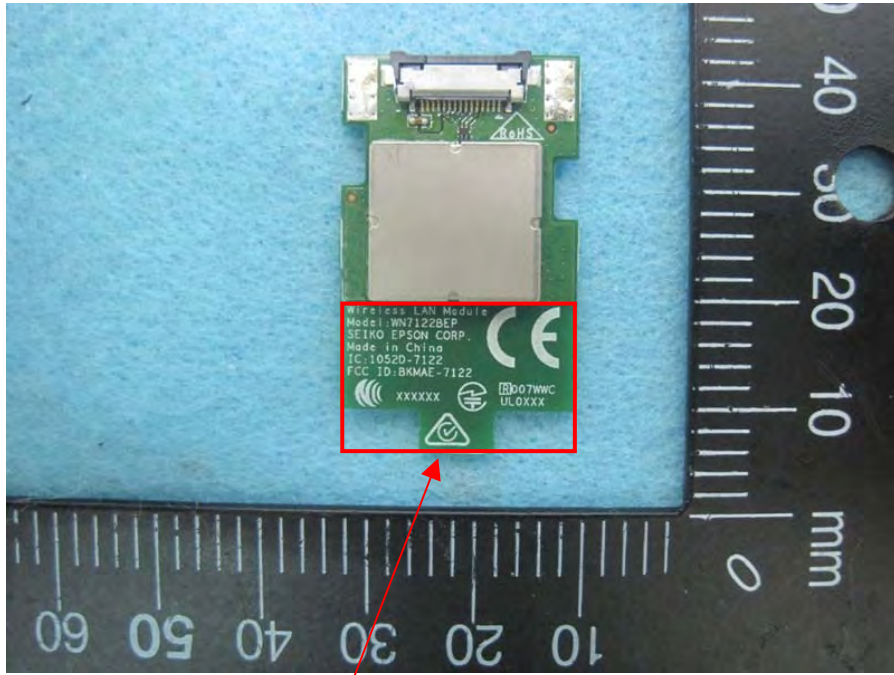
Positioning marks (four corners) (color: white)

Bar-code label with S/N, P/N (character color: black)

Bar-code Information = MAC address (S/N) number only

(x4)

Epson, Arcadyan, Elsen and MediaTek Related persons only



Label Location