

PMC-004

Antenna specification

Specification

Antenna Specification

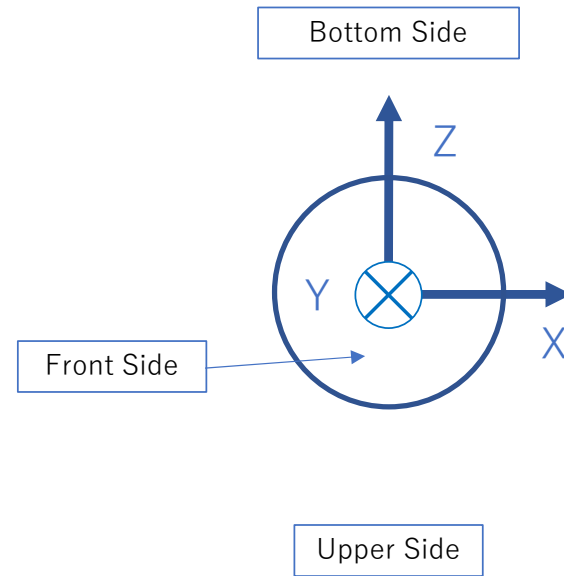
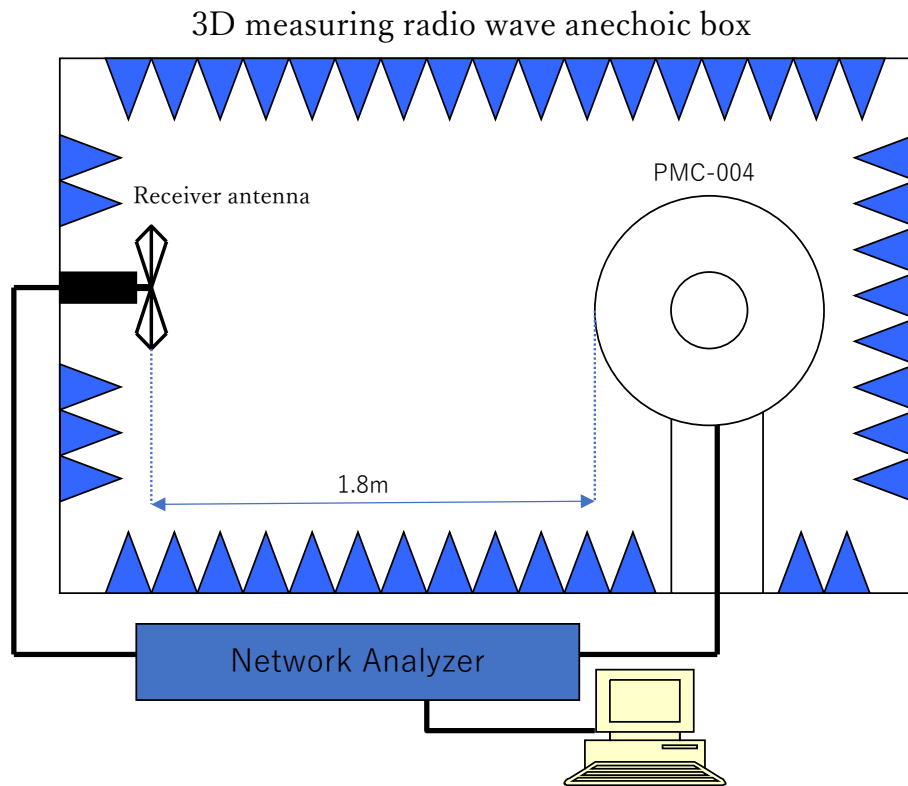
Antenna type	Inverted-F Antenna on PCB
Connector type	U.FL connector
Frequency range	2402 – 2480MHz
Antenna peak gain	+1.326dBi (※1)

(※1) In the frequency range 2402MHz - 2480MHz, the maximum antenna gain is +1.326dBi

Measurement Information

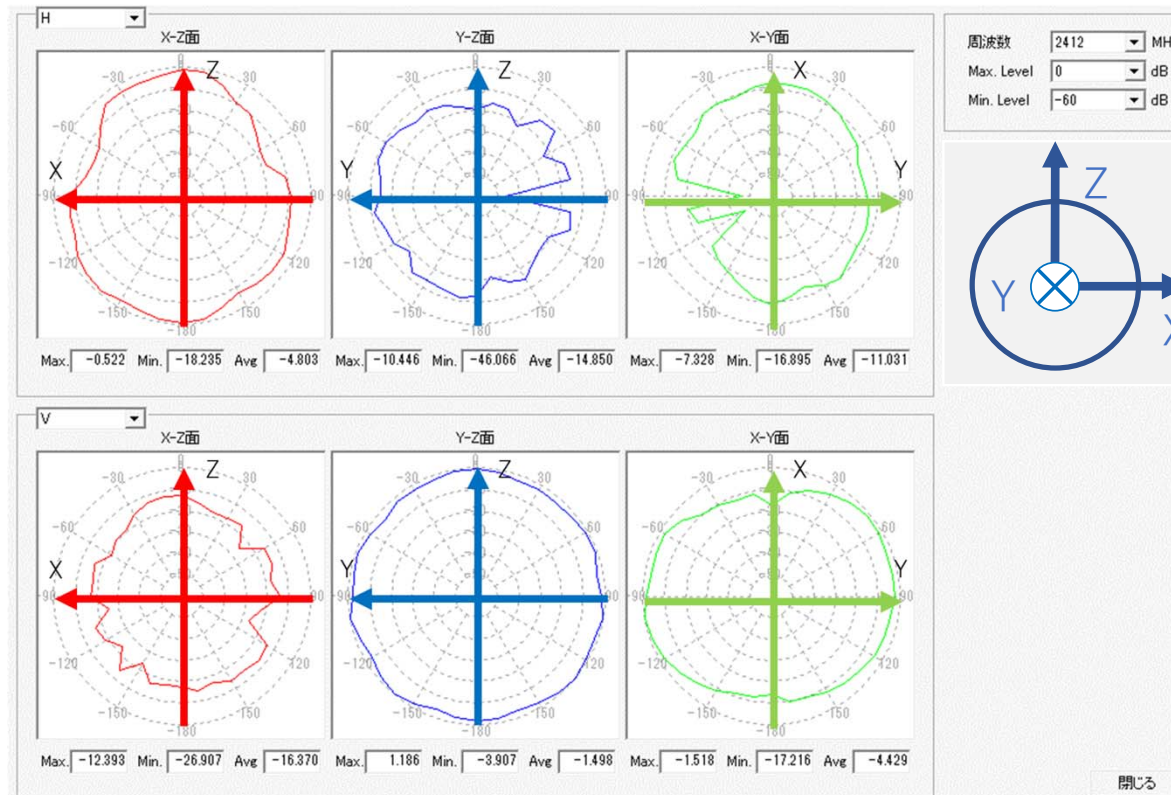
Test date	2020/2/5
Engineer	N.Miyauchi
Calibrated measuring instrument	Network Analyzer : E5071B (Agilent)
Commercial test software	MATEOS (Microwave Factory)

Measurement method

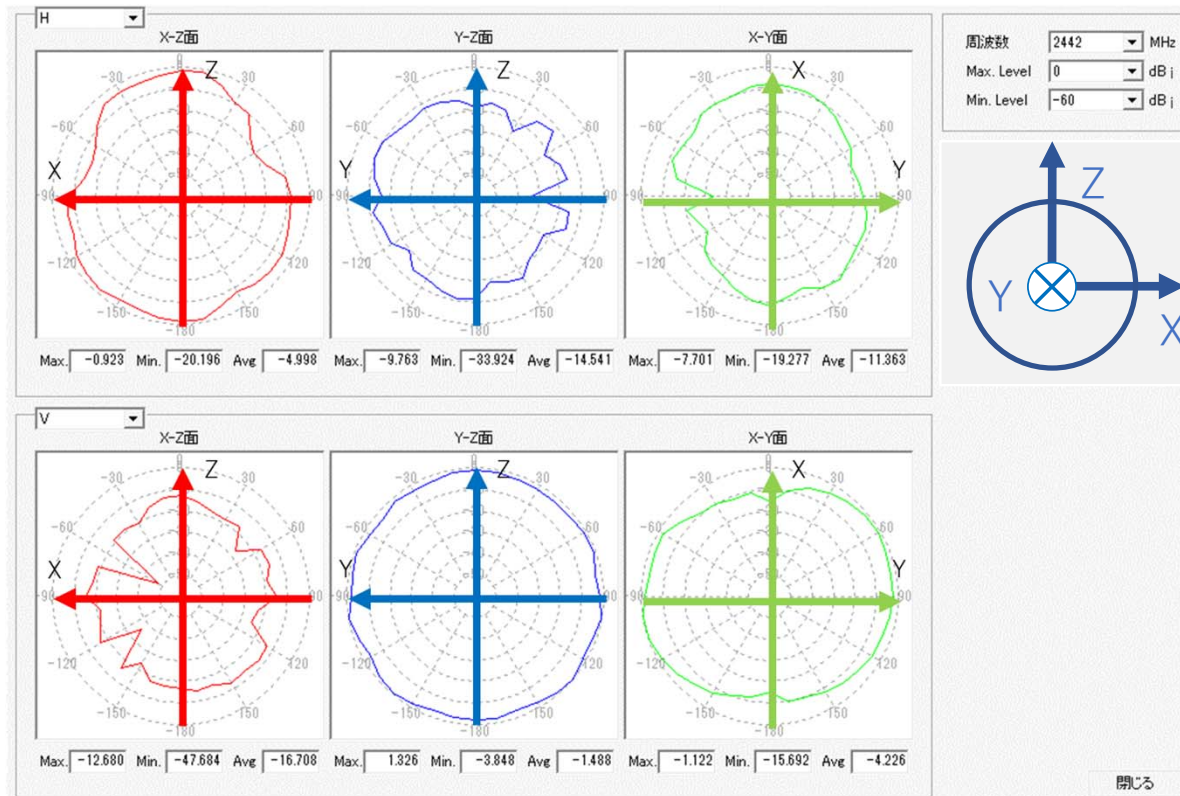


Measurement direction of PMC-004

Antenna radiation pattern : 2412MHz H/V



Antenna radiation pattern : 2442MHz H/V



Antenna radiation pattern : 2472MHz H/V

