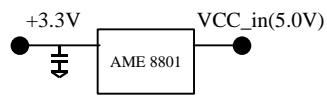
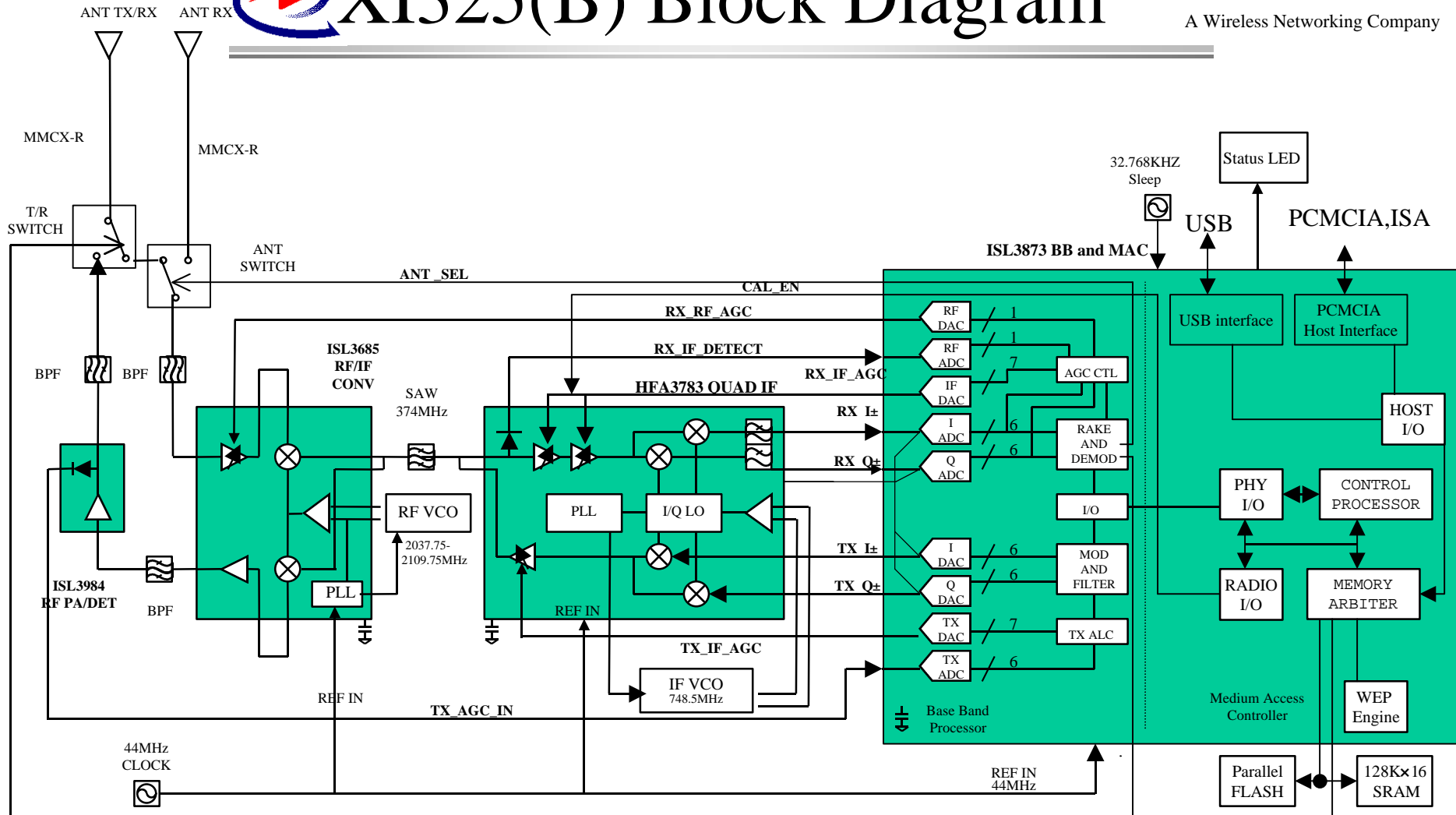




# XI325(B) Block Diagram

Z-Com, Inc.

A Wireless Networking Company



Channel Number	1	2	3	4	5	6	7	8	9	10	11	12	13	14
Channel Frequency (MHz)	2142	2417	2422	2427	2432	2437	2442	2447	2452	2457	2462	2467	2472	2484
IF 748MHz VCO(MHz)	748.5	748.5	748.5	748.5	748.5	748.5	748.5	748.5	748.5	748.5	748.5	748.5	748.5	748.5
RF 2.1GHz VCO (MHz)	2037.75	2042.75	2047.75	2052.75	2057.75	2062.75	2067.75	2072.75	2077.75	2082.75	2087.75	2092.75	2097.75	2109.75

2001/8/14

maurice

