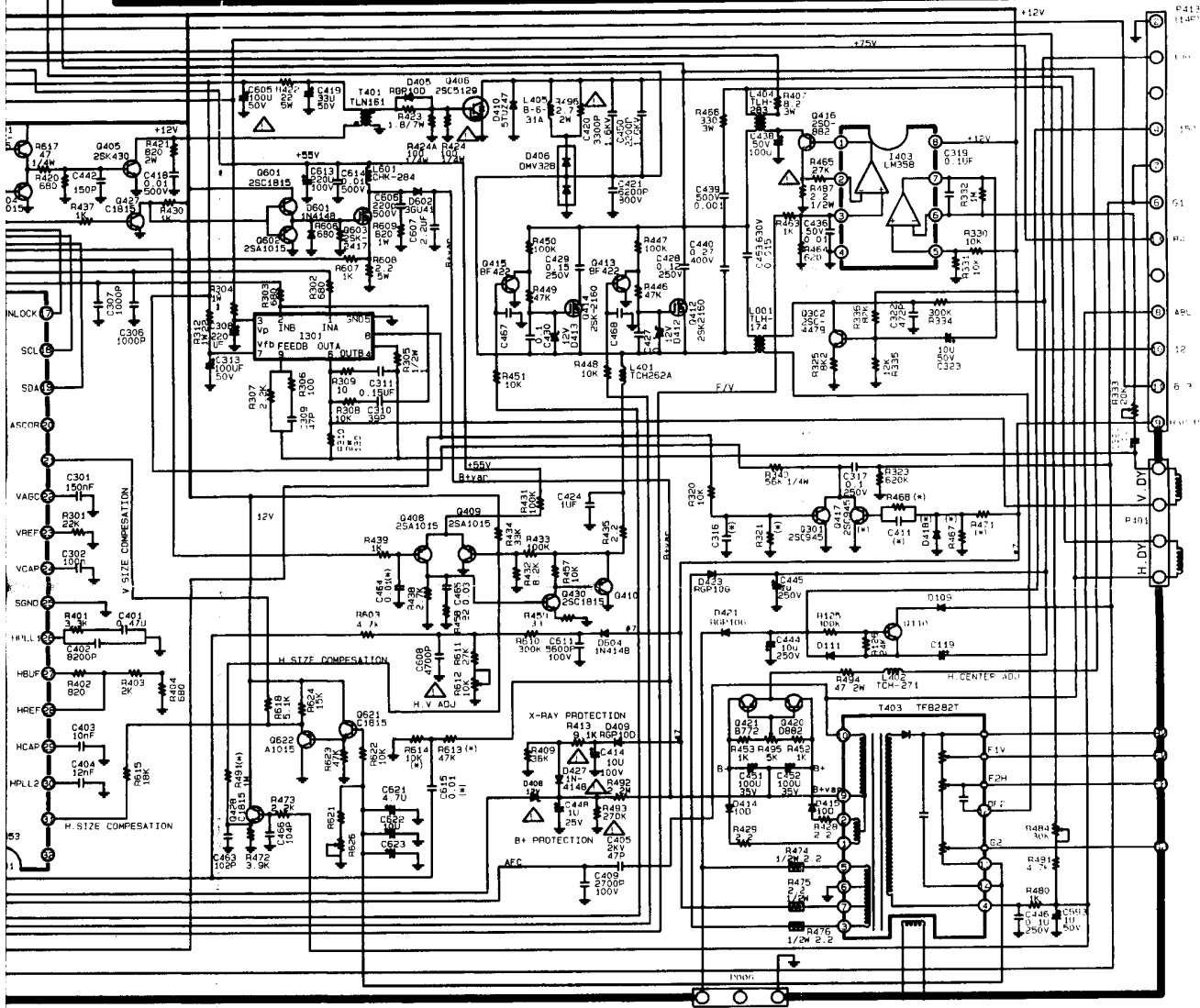
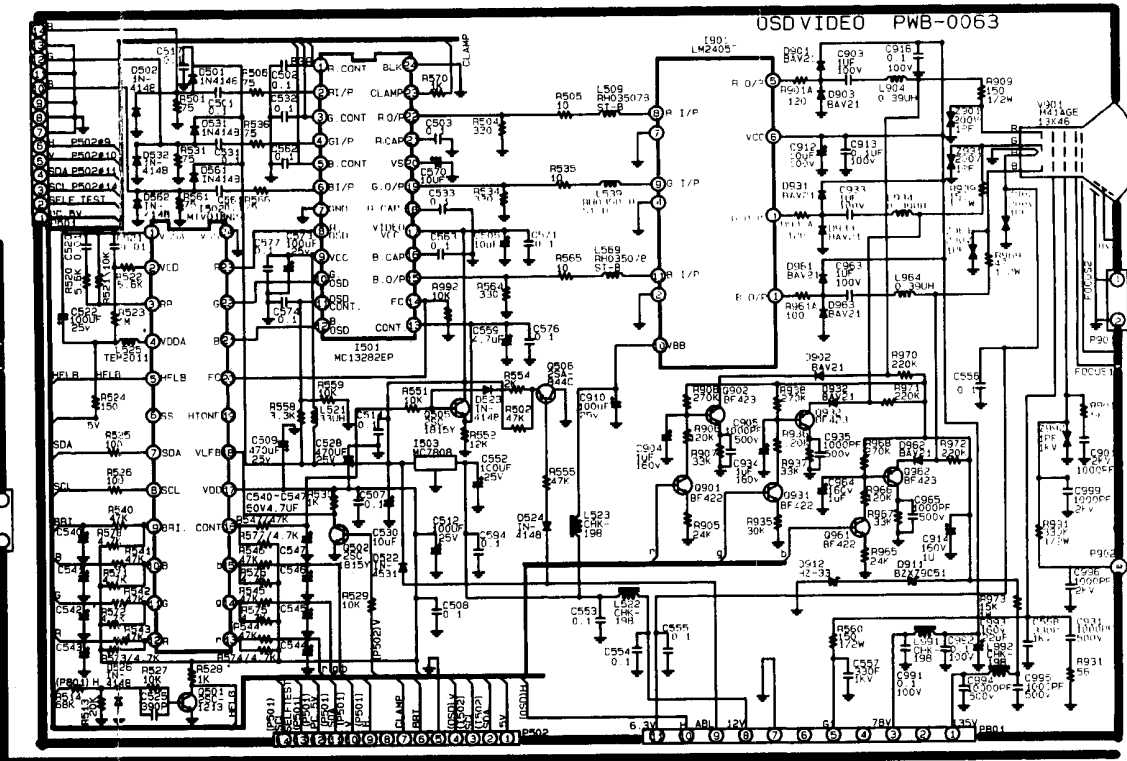


USD VIDEO PWB-0063

(021592552
EXT. 3128
BY
C. Y. LEE
.997
VFR. 00

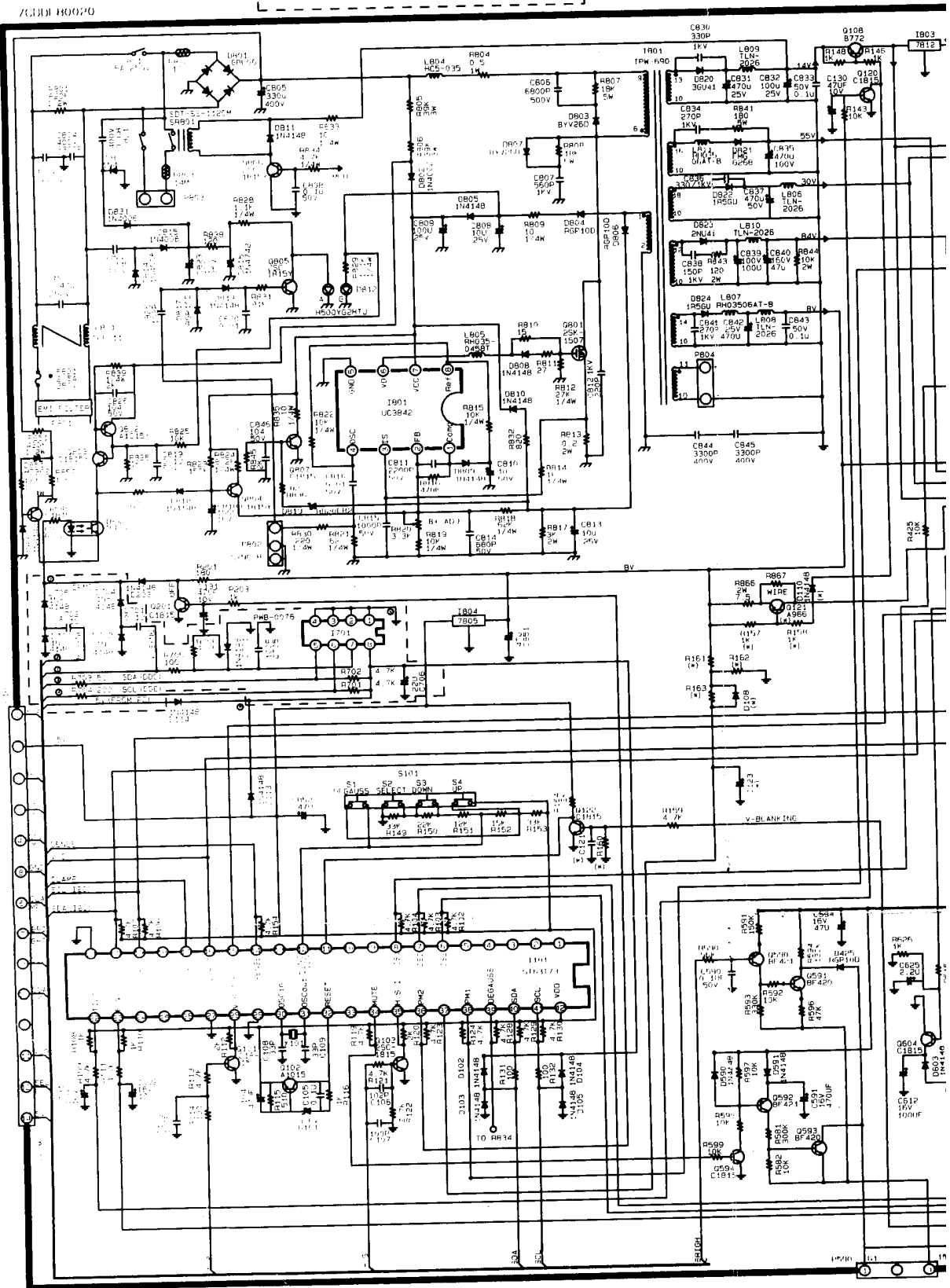


COLOR MONITOR CIRCUIT DIAGRAM
 MODEL NO: C7TZRPP

AUDIO POWER PWB-0098

IMPORTANT SAFETY NOTICE
 THE \triangle SYMBOL MARK OF THIS SCHEMATIC DIAGRAM
 INCORPORATES SPECIAL FEATURES IMPORTANT FOR
 PROTECTION FROM X-RADIATION, FIRE AND ELECTRICAL
 SHOCK HAZARDS WHEN SERVICING IT IS ESSENTIAL
 THAT ONLY MANUFACTURERS SPECIFIED PARTS BE USED
 FOR THE CRITICAL COMPONENTS IN THE \triangle SYMBOL
 MARK IN THE SCHEMATIC

TA
ELI
MOD
P.C
DRE
DAT



7C101 80070