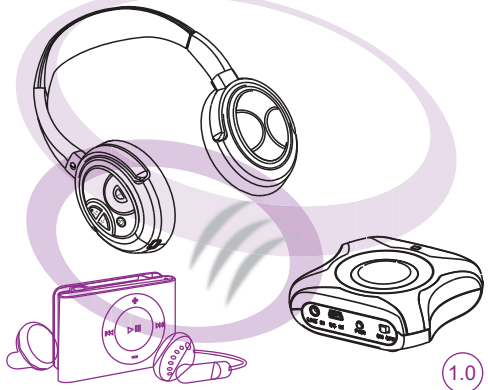


SoundOn WHP-210 Wireless Headphone

- Noise-resistant Digital Wireless Technology
- Patented Dual-Speaker Design in Each Ear-cup
- Superior Sound Quality and Extended Bass
- Wireless Transmitter Key Adapts To Every Music Player
- Re-chargable Headphones Provide up to 12 Hours Use
- Unique Comfortable Headband Design



1.0

1 Product Introduction and Safety Approvals

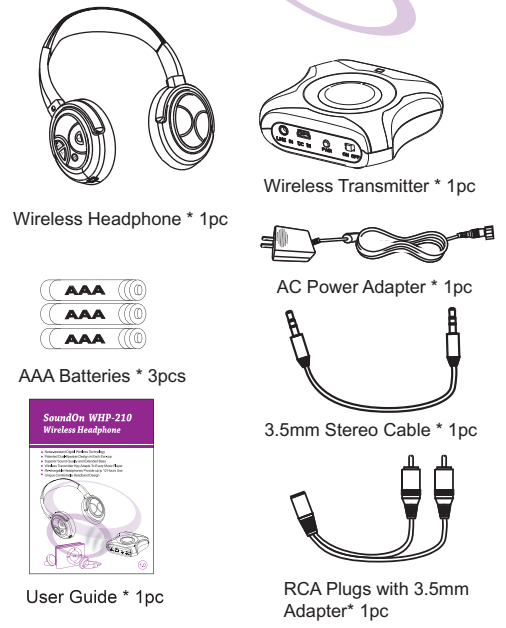
The SoundOn WHP-210 is a high performance wireless headphone delivering ultra clear sound with extended bass effects. The headphone comes with a wireless music transmitter that can be connected to any type of audio source via a standard 3.5 mm audio jack. Also included is a RCA cable with 3.5 mm adapter that can be used to accommodate a separate 2-channel audio output port. The transmitter can be powered by a power adapter, or by 3 AAA batteries. You may find the battery cabinet located at the bottom of the transmitter. The headphone has a built-in Li-Polymer battery. When fully charged the battery offers up to 12 hours of usage. To charge the headphone simply plug into the power adapter. Please read the following certification and safety approvals.

- **FCC Statement**
Both the headphone and the transmitter are compliant with part 15 of the FCC rules. Operation is subject to the following two conditions: (1)These devices may not cause harmful interference, and (2)These devices must accept any interference received, including interference that may cause undesired operation.
- **CE**
This product is CE marked according to the provisions of the R&TTE Directive. (99/5/EC)

2 Unique Features

- Based on advanced WiStereo™ digital wireless technology for reliable transmission of music in the 2.4 GHz band.
- Effective within 100 feet range from source.
- Patented dual-speakers in each of the ear-cups delivering a full range of sounds as well as a soft, deep bass.
- The transmitter can be powered by the power adapter, or by 3 AAA batteries making it perfect for on-the-go lifestyles.
- Connects to any type of music input via a standard stereo jack, such as iPod, Zune player, DVD players, TV audio out, CD players, etc.
- Fast working, easy to use, automatic Pair function.
- Extended battery life lasts up to 12 hours when fully charged.
- Ultra comfortable headband design for long wear hours.

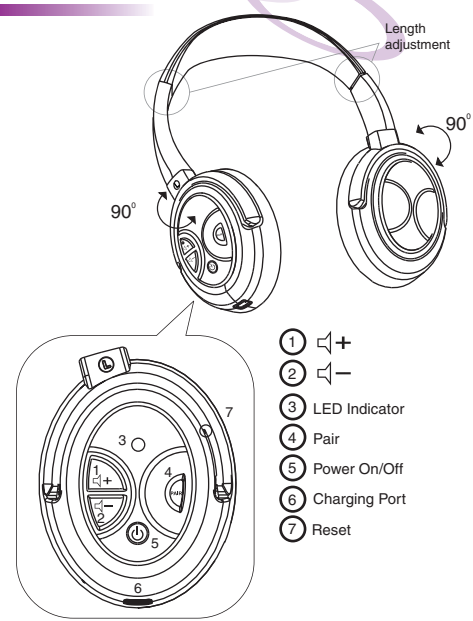
3 Product Accessories



4 Specification

Model	WHP-210
Wireless Technology	WiStereo™ for advanced 2-way digital transmission in the 2.4 GHz frequency band
Headphone Listen Time	Up to 12 hours (per charge)
Transmitter Usage Time	Up to 4 hours
Standby Time	Up to 3 months
Charge Time (full charge)	Up to 3.5 hours
Distance of Use	100 feet
Headphone Weight	7.9 ounces
Transmitter Weight	1.6 ounces
Charging Method	AC Power Adapter
Headphone Battery Type	Lithium Polymer
Frequency Response	20Hz ~30,000Hz (perfect for all music, game, and voice)
Audio Quality	Uncompressed audio for music (CD-quality) and voice (extra clarity)
Distortion (T.H.D.)	≤0.08% (professional grade audio performance)
Speaker Drivers	2 on each side for full-range audio and sub-woofer enhancement with SafeBass technology 30mm Neodymium for left/right channels® 40mm Neodymium for subwoofer

5 Parts Introduction



- 1 +
- 2 -
- 3 LED Indicator
- 4 Pair
- 5 Power On/Off
- 6 Charging Port
- 7 Reset

6 User Guide Symbols

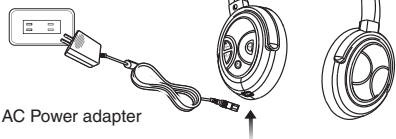
- 1 **+**
Press to increase the headphone volume.
- 2 **-**
Press to decrease the headphone volume.
- 3 **LED Indicator**
A red indicator represents charging functions. A green indicator represents signal connections.
- 4 **Pair**
Press "pair" button to connect the wireless headphone and the USB Puck.
- 5 **Power On/Off**
Press this button to control power on/off.
- 6 **Charging Port**
Connect to the AC power adapter for charging.
- 7 **Reset**
If headphone is functioning improperly, poke the reset hole by a paper clip.

7 User Guide Symbols

- Steady red light**
• The headphone is charging
- Steady green light**
• Devices are paired
- Flashing green light**
• Devices are waiting for pairing
• Devices are not paired

Getting Started

Charging

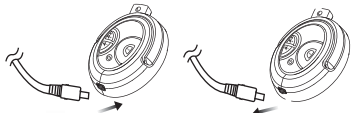


AC Power adapter

- **First time use** : Charge 3.5 hours before using headphone for the first time.

Plug in to charge

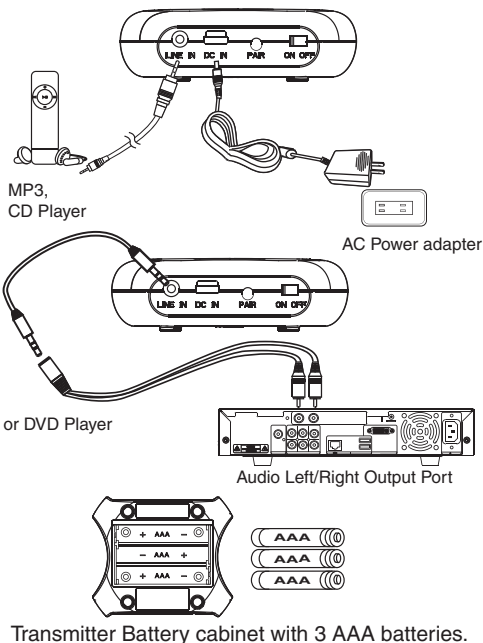
Unplug when finished



The headphone is charging

- Steady red light is turned off when the headphone is fully charged.
- To ensure this headphone to work properly, please avoid recharging while using.
- AC Power Adapter is used to both charge the headphone and the transmitter(if batteries are not powering the transmitter).

Connect the Transmitter



MP3,
CD Player

AC Power adapter

or DVD Player

Audio Left/Right Output Port

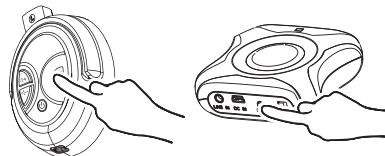
Transmitter Battery cabinet with 3 AAA batteries.

Turning the headphone on/off



- Power on : Press the power button to turn on the headphone.
- Power off : Press and hold the power button for 2 sec. to turn off the headphone.

Pairing the headphone to the transmitter



Simultaneously press the PAIR buttons of both the headphone and the transmitter to connect the signal transmission.



When light is flashing
devices are waiting for pairing



When light is steady
devices are paired

Unplug the headphone charging cord if any of the following conditions exist

- The charging cord became frayed or damaged.
- The charging cord has been exposed to rain, liquids, or excessive moisture.
- The headphone or the AC power adapter might needs service or repair.
- When cleaning the headphone.
- When using the headphone.

[Note: The headphone does not work when it is being charged.]

Avoiding hearing damage

Permanent hearing loss may occur if the headphone is used at too high a volume. Set the volume to a safe level. Warning: Over time it is possible to become accustomed to high volumes that may be damaging to your hearing. If you experience a ringing in your ears or your own voice and other sounds appear muffled, stop using the headphone and consult a hearing professional.

Hearing experts suggest that in order to protect your hearing:

- Limit the amount of time you use the headphone at high volume.
- Avoid turning up the volume to block out noisy surroundings.
- Turn down the volume if you can't hear people speaking near you.

Maintaining battery life

Due to the physical nature of the battery, required charging time may increase while the actual capacity of the batter may decrease. If you have any questions regarding the replacement of the built-in battery, please contact our service center.

Troubleshooting

No sound emitting from the Headphone

- Make sure the headphone is charged, and the transmitter is powered either by the AC power adapter, or by 3*AAA batteries. Try new batteries if you think these batteries have run out of power.
- Check if the music is being played from your music players.
- When transmitting music from a PC or DVD player, check to see that the audio out is correctly selected and is not muted.
- Simultaneously press the PAIR keys, both on the transmitter as well as on the headphone, for 2-3 seconds until sound returns.
- In case the music player/source has a low volume output, try pressing the volume up key on the headphone.

Important User Information

Handling the headphone

Do not bend, drop, crush, puncture, incinerate, or open the headphone.

Repairing the headphone

Never attempt to repair the headphone yourself. The headset does not contain any user serviceable parts. For service information, read the "Help" section from the warranty card. The headphone should be replaced only by authorized service providers.

Sound break-up

First move around and get closer to the Transmitter. The constant sound break-up may have occurred because of the range and radio-wave transmission obstacles, such as walls and large objects that exist between the Transmitter and the headphone. If you are using AAA batteries, the batteries could be running low. Plug in the power adapter of the Transmitter, and check if the sound break-up improves. If that is the case, replace the batteries.

No connection signal visible

Make sure the headphone is charged and the transmitter is properly connected to the audio source/player. Also, stand within close range of the source/player and try the power button on the headphone once more.

The headphone automatically shuts off

Check to see if the battery life is too low or the indicator light on the headphone is off.

Unexpected behavior

Reset the headphone. (See Step 6)

FEDERAL COMMUNICATIONS COMMISSION INTERFERENCE STATEMENT

This equipment has been tested and found to comply with the limits for a Class B digital device, pursuant to part 15 of the FCC Rules. These limits are designed to provide reasonable protection against harmful interference in a residential installation. This equipment generates, uses and can radiate radio frequency energy and, if not installed and used in accordance with the instructions, may cause harmful interference to radio communications. However, there is no guarantee that interference will not occur in a particular installation. If this equipment does cause harmful interference to radio or television reception, which can be determined by turning the equipment off and on, the user is encouraged to try to correct the interference by one or more of the following measures:

- Reorient or relocate the receiving antenna.
- Increase the separation between the equipment and receiver.
- Connect the equipment into an outlet on a circuit different from that to which the receiver is connected.
- Consult the dealer or an experienced radio/ TV technician for help.

CAUTION:

Any changes or modifications not expressly approved by the grantee of this device could void the user's authority to operate the equipment.

"RF exposure warning

The equipment complies with FCC RF exposure limits set forth for an uncontrolled environment.

The equipment must not be co-located or operating in conjunction with any other antenna or transmitter. "