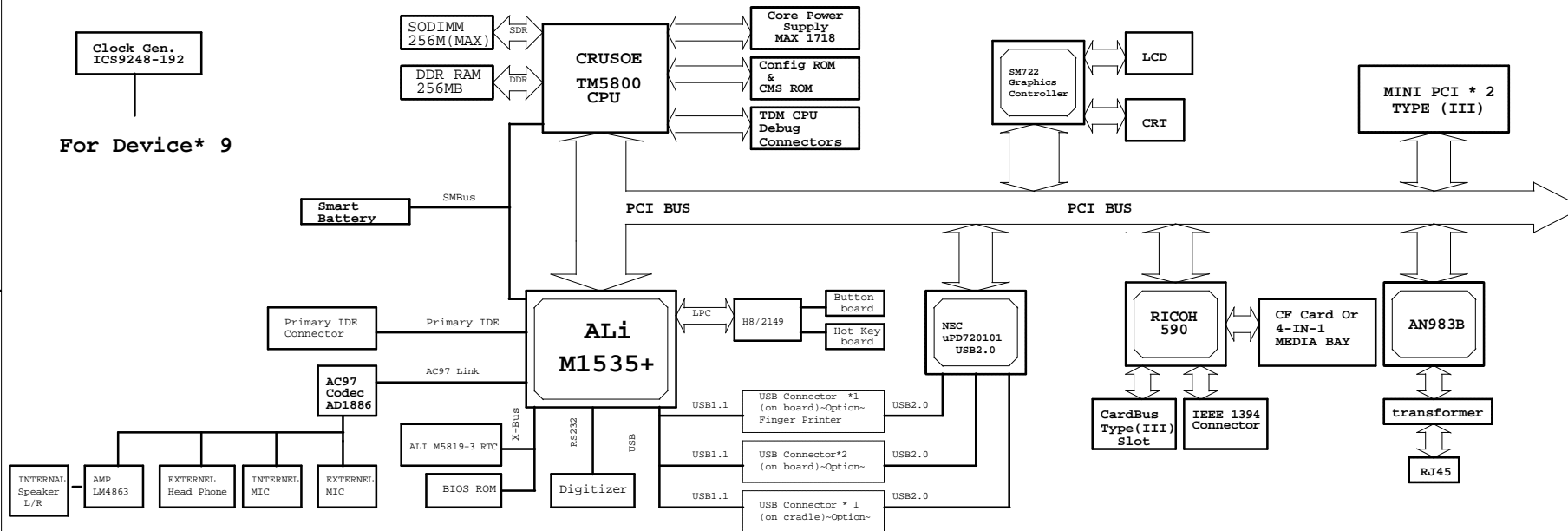


TTAB 510 BLOCK DIAGRAM

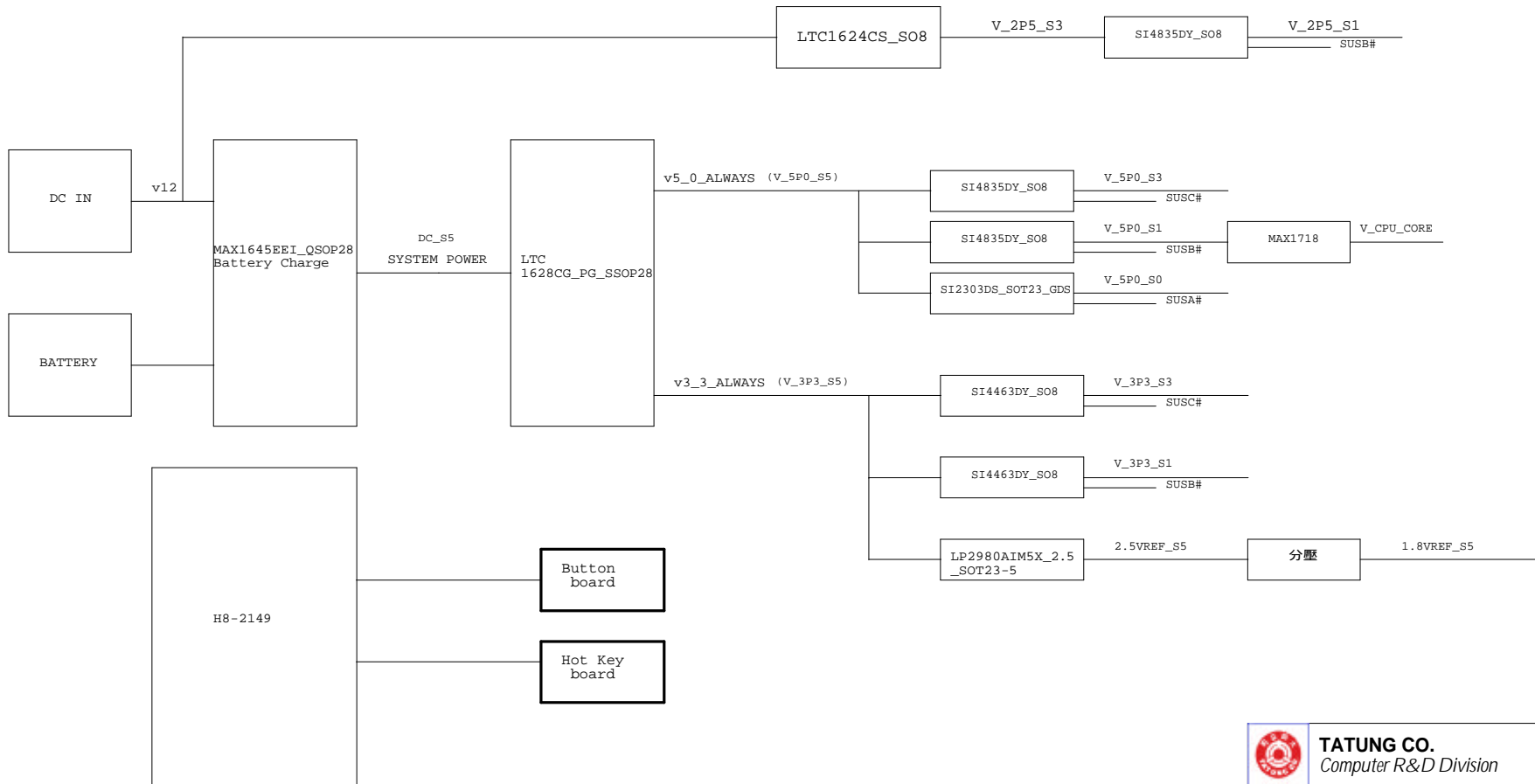



Clock Gen.
ICS9248-192
For Device* 9

BLOCK DIAGRAM

ACPI MODE PIN DEFINE

	SUSA#	SUSB#	SUSC#	V_5P0_S5	V_5P0_S3	V_5P0_S1	V_5P0_S0	V_3P3_S5	V_3P3_S3	V_3P3_S1	V_3P3_CPU	V_2P5_S3	V_2P5_S1	V_2P5_CPU
ACPI S0	1	1	1	5.0V	5.0V	5.0V	5.0V	3.3V	3.3V	3.3V	3.3V	2.5V	2.5V	2.5V
ACPI S1	0	1	1	5.0V	5.0V	5.0V	0V	3.3V	3.3V	3.3V	3.3V	2.5V	2.5V	2.5V
ACPI S3	0	0	1	5.0V	5.0V	0V	0V	3.3V	3.3V	0V	0V	2.5V	0V	0V
ACPI S5	0	0	0	5.0V	0V	0V	0V	3.3V	0V	0V	0V	0V	0V	0V



 TATUNG CO. Computer R&D Division	
Title: POWER DIAGRAM	
Size: Custom	Module Name: TTAB-510
Date: Friday, January 10, 2003	Rev: C
Sheet 3 of 32	