

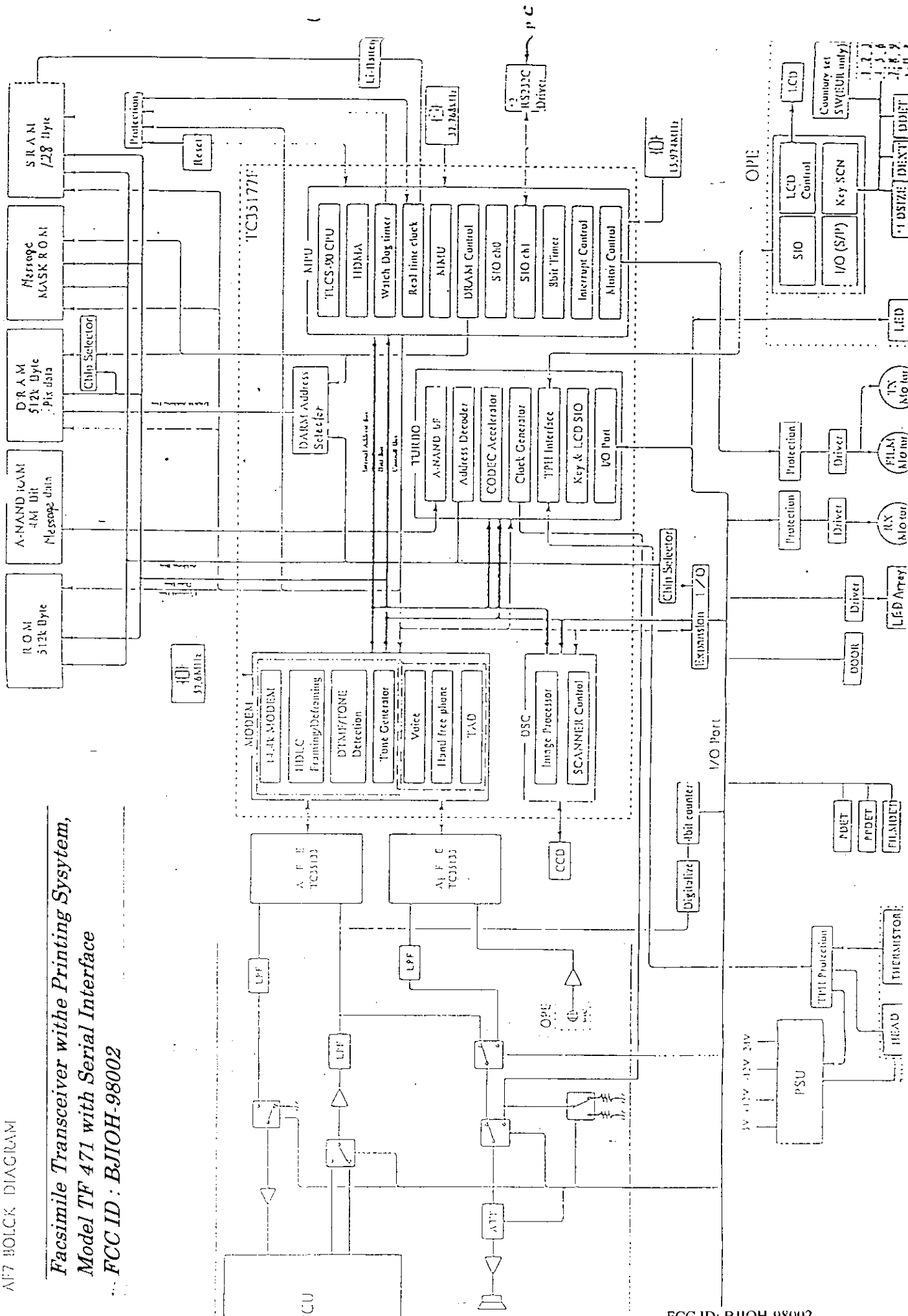
EXHIBIT C

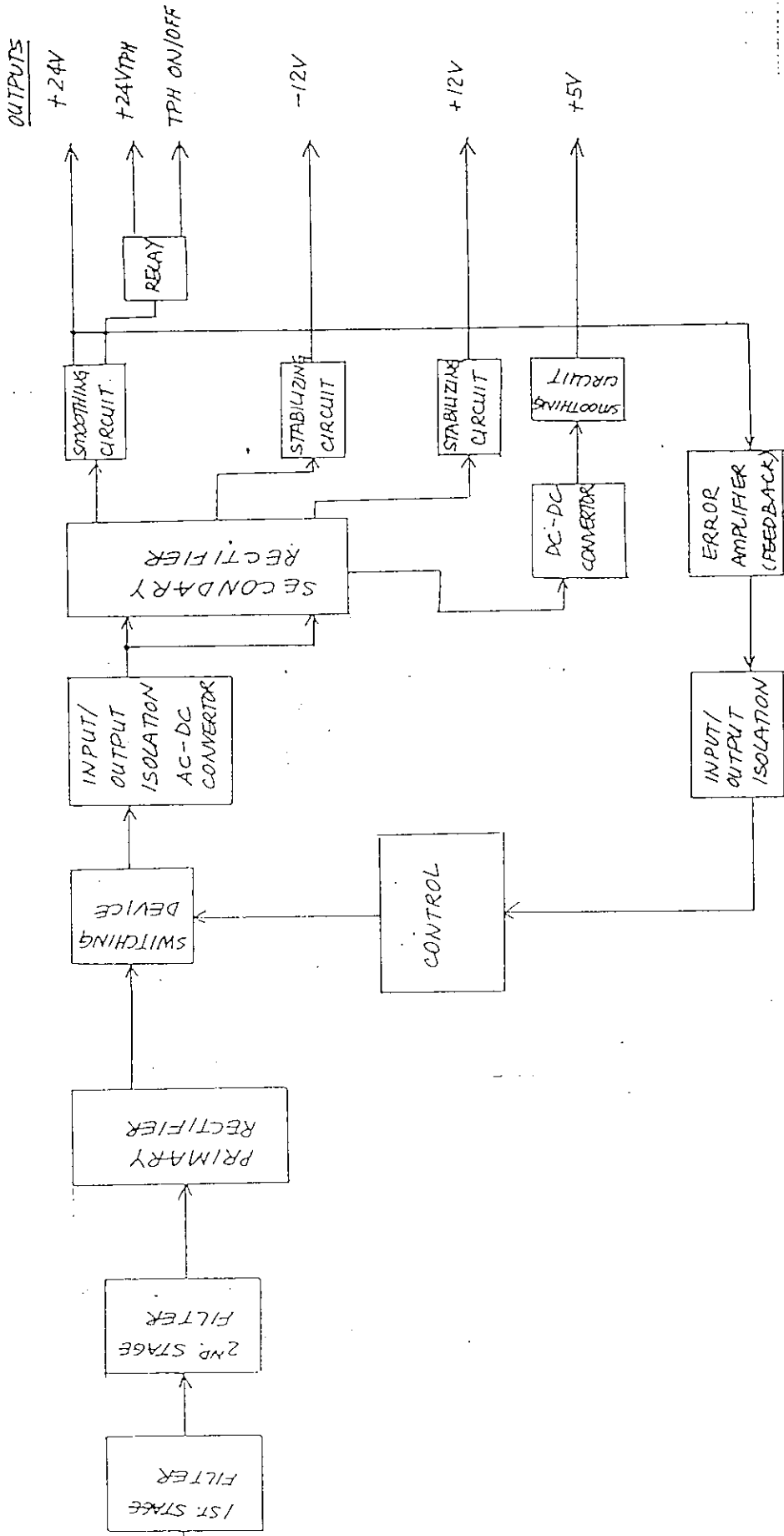
(FCC Ref. 2.1033(b)(5))

"Block and Schematic Diagrams"

AF7 BLOCK DIAGRAM

**Facsimile Transceiver with the Printing System,
Model TF 471 with Serial Interface
FCC ID : BJI0H-98002**





EIXTE041X4EA: BLOCK DIAGRAM

* : APPLICABLE TO A, E & J MODELS

Facsimile Transceiver with the Printing System,
 Model TF 471 with Serial Interface
 FCC ID : BJIOH-98002

APPROVED	CHECKED	MADE
EPD-Tech 16. JUN. 1993 H. NISHIYAMA	EPD-Tech 16. JUN. 1993 W.C. TAN	EPD-Tech 16. JUN. 1993 K.L. CHIN

