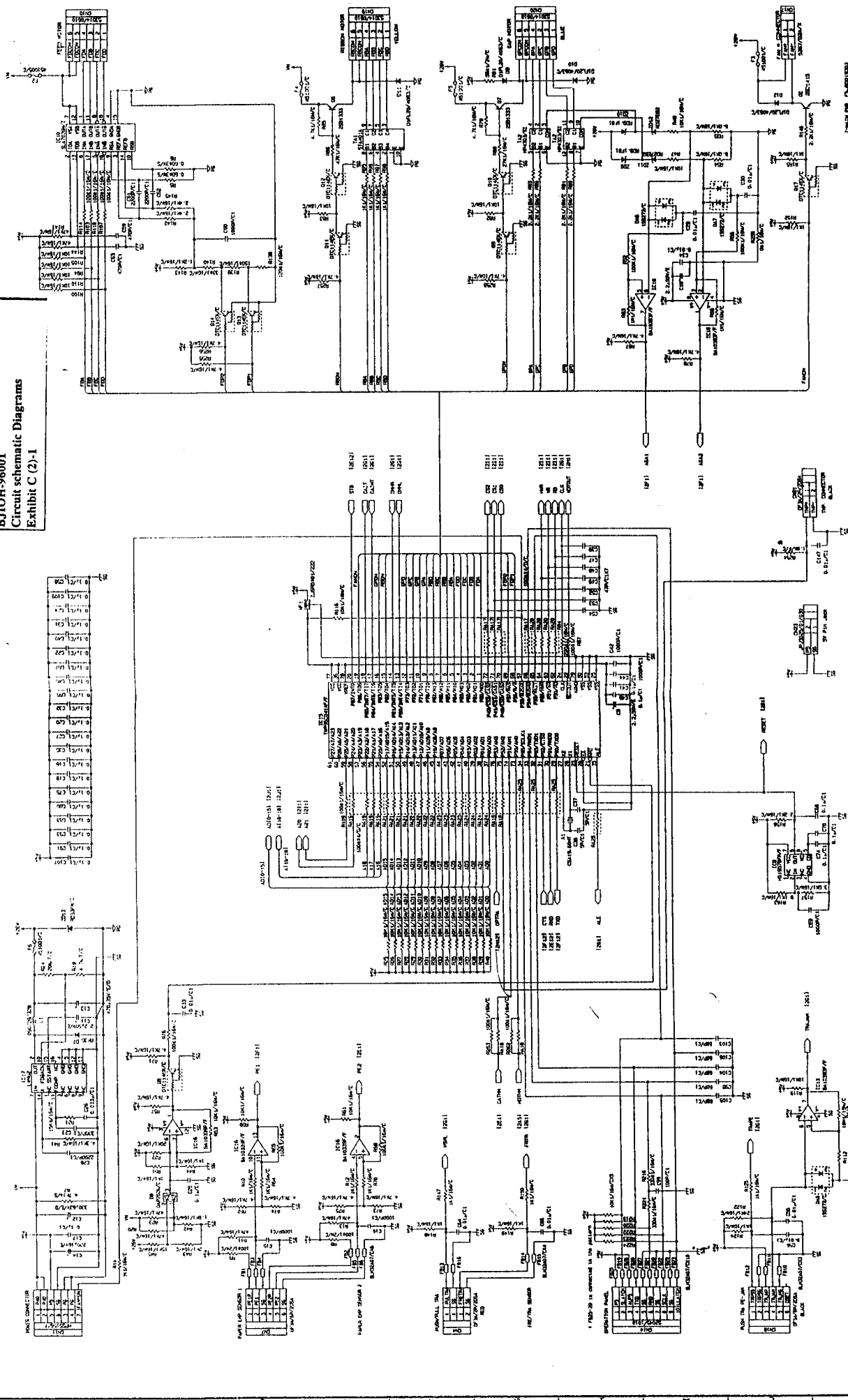
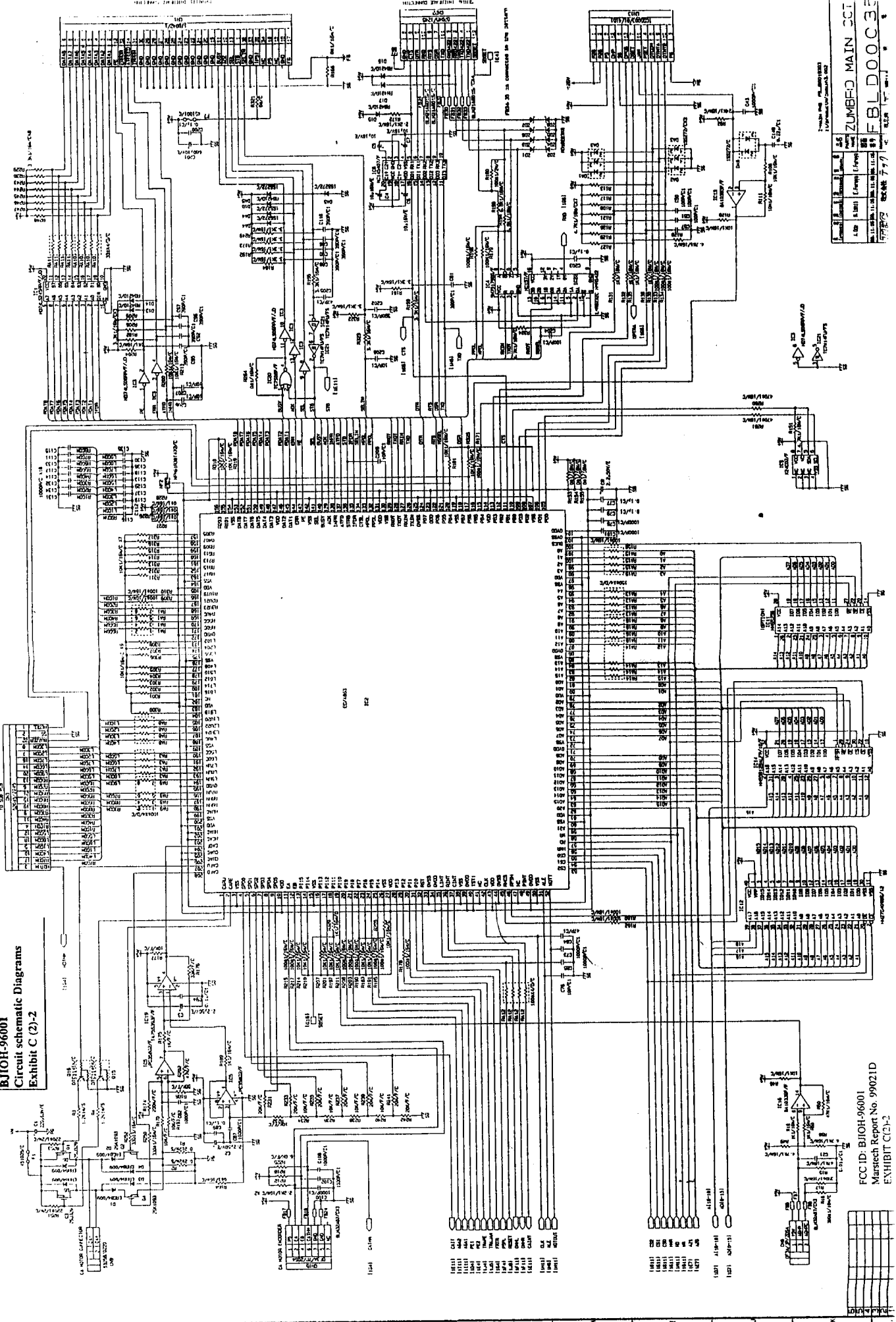


Dot Matrix Printer, Model 4227
with Serial and Parallel Interface
BJIOH-96001
Circuit schematic Diagrams
Exhibit C (2)-1



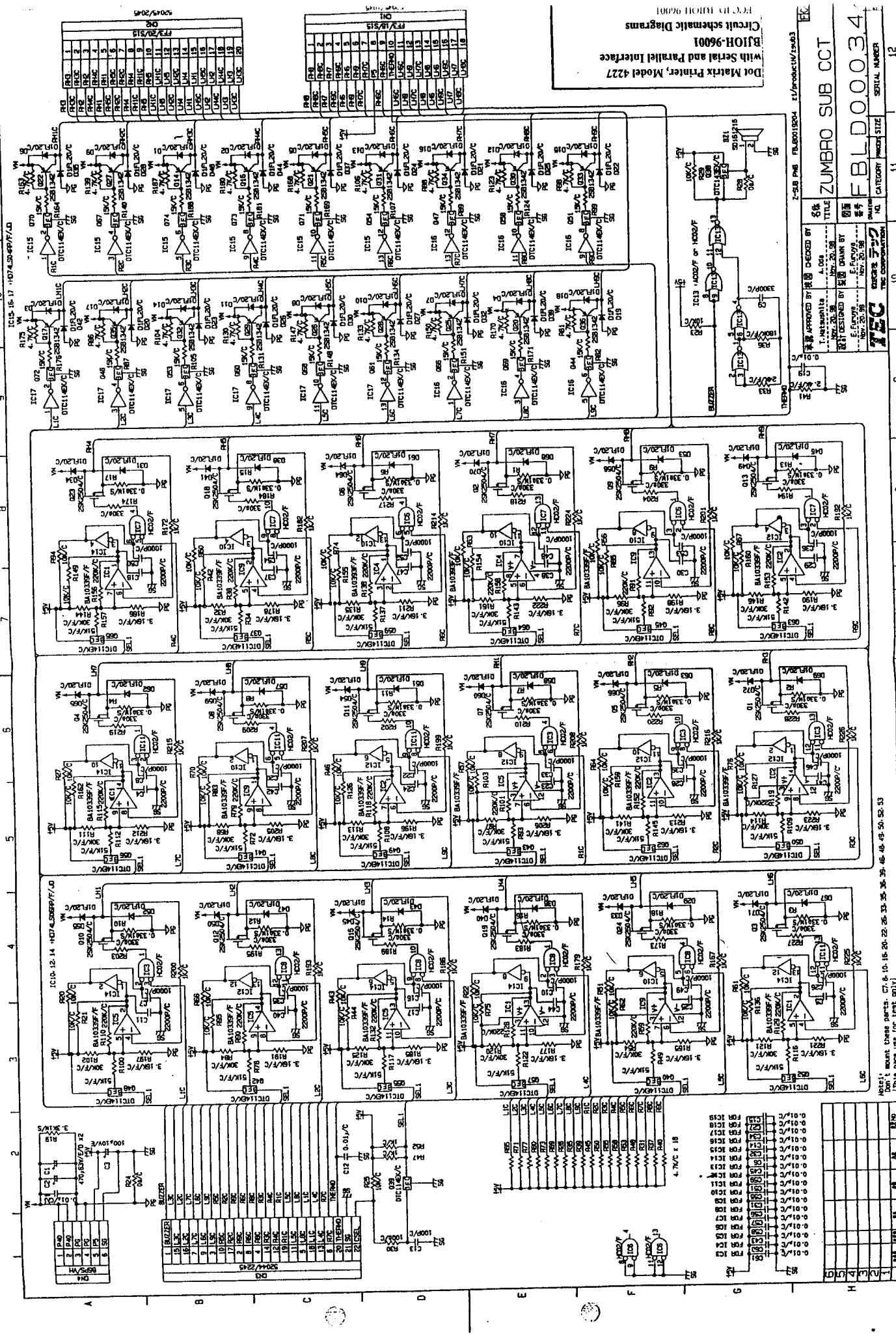
FCC ID: BJIOH-96001		MARSTECH REPORT NO. 99021D	
FBIHQ BIT C(2)-1		FBIHQ BIT C(2)-1	
ZUMBRG MAIN CCT.		ZUMBRG MAIN CCT.	
FBLD0003E		FBLD0003E	

Dot Matrix Printer, Model 4227
with Serial and Parallel Interface
BJIOH-96001
Circuit Schematic Diagrams
Exhibit C (2)-2



Item	QTY	DESCRIPTION
1	1	ZUMBERG MAIN CCI
2	1	FBLDOOC3E
3	1	FBI
4	1	CC

Stamp: 10/28/78
FBI/DOJ
Serial Number: 11111111111111111111111111111111
Part Number: 11111111111111111111111111111111
Date: 10/28/78
By: [Signature]



1	IC1	74LS123	MONITOR
2	IC2	74LS123	MONITOR
3	IC3	74LS123	MONITOR
4	IC4	74LS123	MONITOR
5	IC5	74LS123	MONITOR
6	IC6	74LS123	MONITOR
7	IC7	74LS123	MONITOR
8	IC8	74LS123	MONITOR
9	IC9	74LS123	MONITOR
10	IC10	74LS123	MONITOR
11	IC11	74LS123	MONITOR
12	IC12	74LS123	MONITOR
13	IC13	74LS123	MONITOR
14	IC14	74LS123	MONITOR
15	IC15	74LS123	MONITOR
16	IC16	74LS123	MONITOR
17	IC17	74LS123	MONITOR

1	R1	10K
2	R2	10K
3	R3	10K
4	R4	10K
5	R5	10K
6	R6	10K
7	R7	10K
8	R8	10K
9	R9	10K
10	R10	10K
11	R11	10K
12	R12	10K
13	R13	10K
14	R14	10K
15	R15	10K
16	R16	10K
17	R17	10K

1	C1	100nF
2	C2	100nF
3	C3	100nF
4	C4	100nF
5	C5	100nF
6	C6	100nF
7	C7	100nF
8	C8	100nF
9	C9	100nF
10	C10	100nF
11	C11	100nF
12	C12	100nF

Notes: 1. Mark these parts. 27, 4, 10, 15, 20, 22, 26, 32, 35, 36, 39, 46, 48, 49, 50, 52, 53. (This part is for test only)

NO.	DATE	BY	REVISED	DECODED	APPROVED	REF. NO.
1						
2						
3						
4						
5						

TEC
TEC CORPORATION
NO. 20, 20-36
E. FAYUVE
NOV. 20, 1978

DESIGNED BY
E. FAYUVE
NOV. 20, 1978

DRAWN BY
E. FAYUVE
NOV. 20, 1978

CHECKED BY
E. FAYUVE
NOV. 20, 1978

APPROVED BY
E. FAYUVE
NOV. 20, 1978

1. MATERIALS
2. PARTS LIST
3. DRAWING

8%
TITLE
ZUMBRO SUB CCT
NO. CATEGORY
FBLD00034
SERIAL NUMBER

2-SUB PMS FBLD00034-21/product/17463

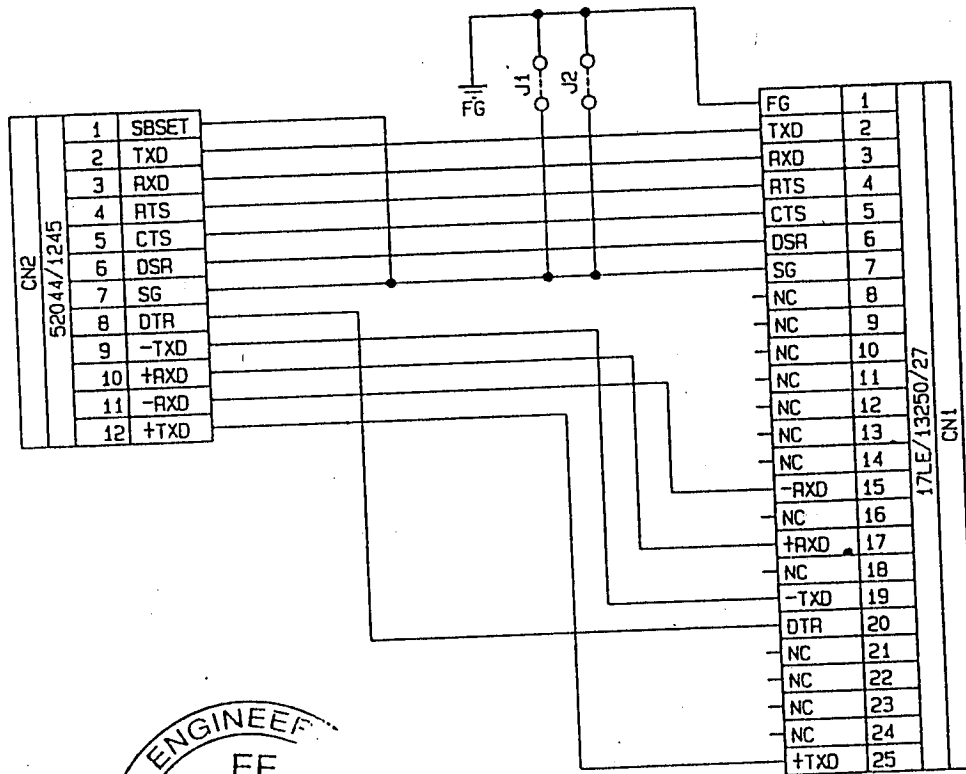
Dot Matrix Printer, Model 4227
Bj10H-9601
Circuit Schematic Diagrams

REV. 11/01/9001

12 11 10 9 8 7 6 5 4 3 2 1

Dot Matrix Printer, Model 4227
with Serial and Parallel Interface
BJIOH-96001
Circuit schematic Diagrams
Exhibit C (2)-4

No.	年月日 DATE	数量 QTY	担当者 REVISED	検査 CHECKED	承認 APPROVED	変更No REF. NO.
1						
2						
3						
4						
5						
6						



ENGINEER
EE
01 APR 1998
RECEIVED

FCC ID: BJIOH-96001
Marstech Report No. 99021D
EXHIBIT C(2)-4

Z-SERIAL PWB FBJB0019401
z1/productN/z-ser

承認 APPROVED BY H. ISHII 27. MAR. 98	校閲 CHECKED BY A. OOA 27. MAR. 98	名称 TITLE	Z-SERIAL CCT	F083
設計 DESIGNED BY E. FURUYA 26. MAR. 98	製図 DRAWN BY E. FURUYA 26. MAR. 98	図面 番号	FBLB00018 ₀₁	
TEC 株式会社 テック TEC CORPORATION		DRAWING NO.	CATEGORY	PROCESS
		SIZE	SERIAL NUMBER	SUB NO