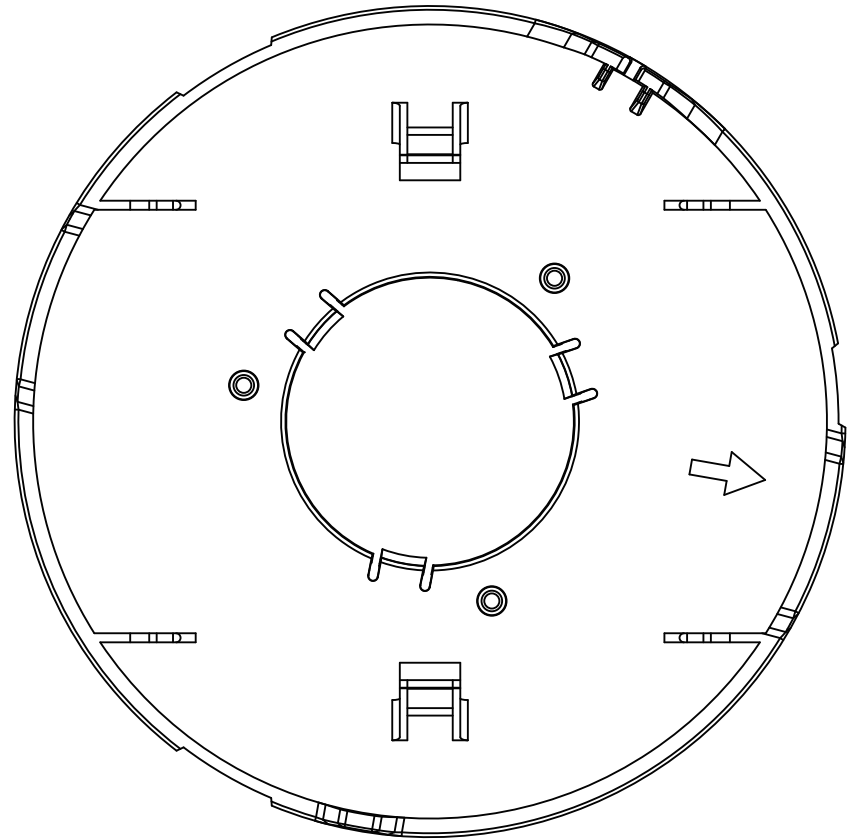
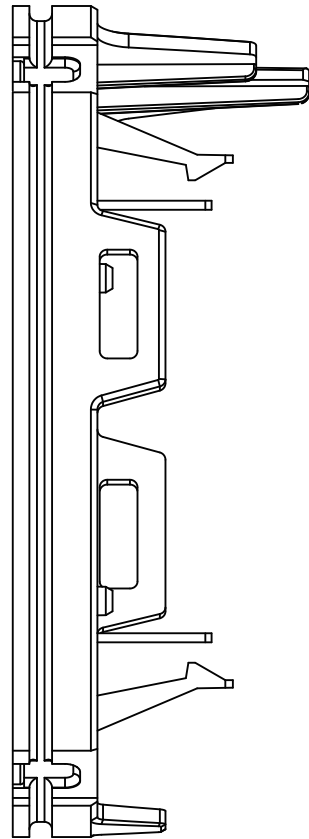
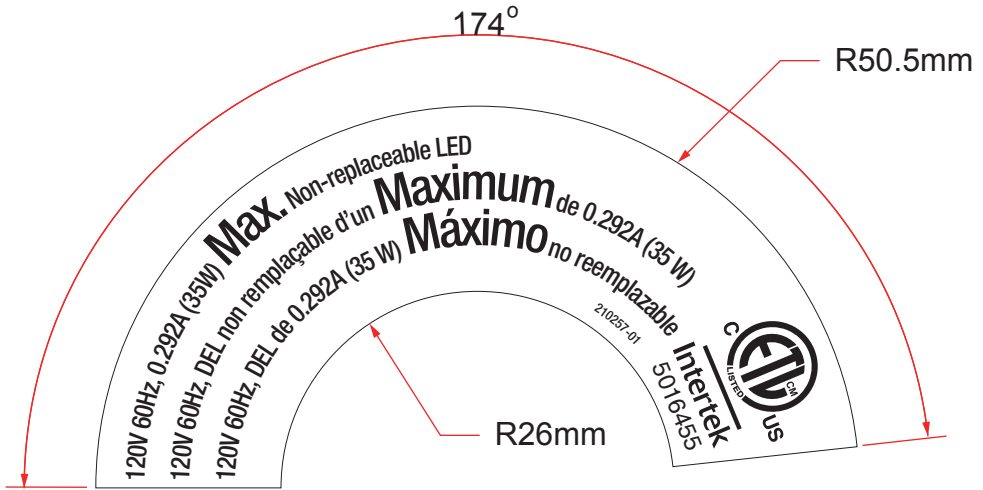


# 9309丝印效果图



两虚线间为印刷内容  
(两红色实线为产品进胶点)



152°

R50.5mm

MODEL / MODELO / MODELE: 9309  
CERTIFIED TO CSA STD. C22.2 NO. 250.0  
ATTESTÉ EN VERTU DE LA NORME CSA C22.2, N° 250.0  
CONFORMIS DE ACUERDO A LA NORMA CSA C22.2, N° 250.0  
CONFORME A LA STD. 1598  
CUMPLE CON LA NORMA UL 1598  
FCC: BJA-9309 IC: 3984A-9309  
210510-01  
MADE IN TAIWAN / FABRIQUÉ À TAIWAN / HECHO EN TAIWAN

THIS DEVICE COMPLIES WITH PART 15 OF THE FCC RULES. OPERATION'S  
SUBJECT TO THE FOLLOWING TWO CONDITIONS: (1) THIS DEVICE MAY  
NOT CAUSE HARMFUL INTERFERENCE, AND (2) THIS DEVICE MAY  
MUST ACCEPT ANY INTERFERENCE, INCLUDING INTERFERENCE THAT  
MAY CAUSE UNDESIRABLE OPERATION.  
CAN ICES-005 (B) / NMB-005 (B)

R26mm