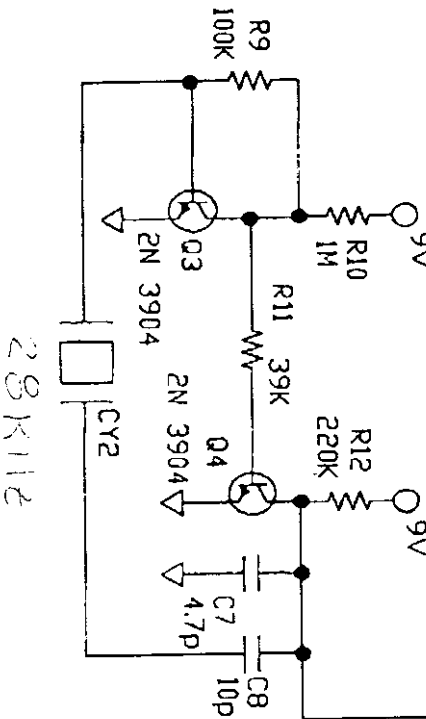
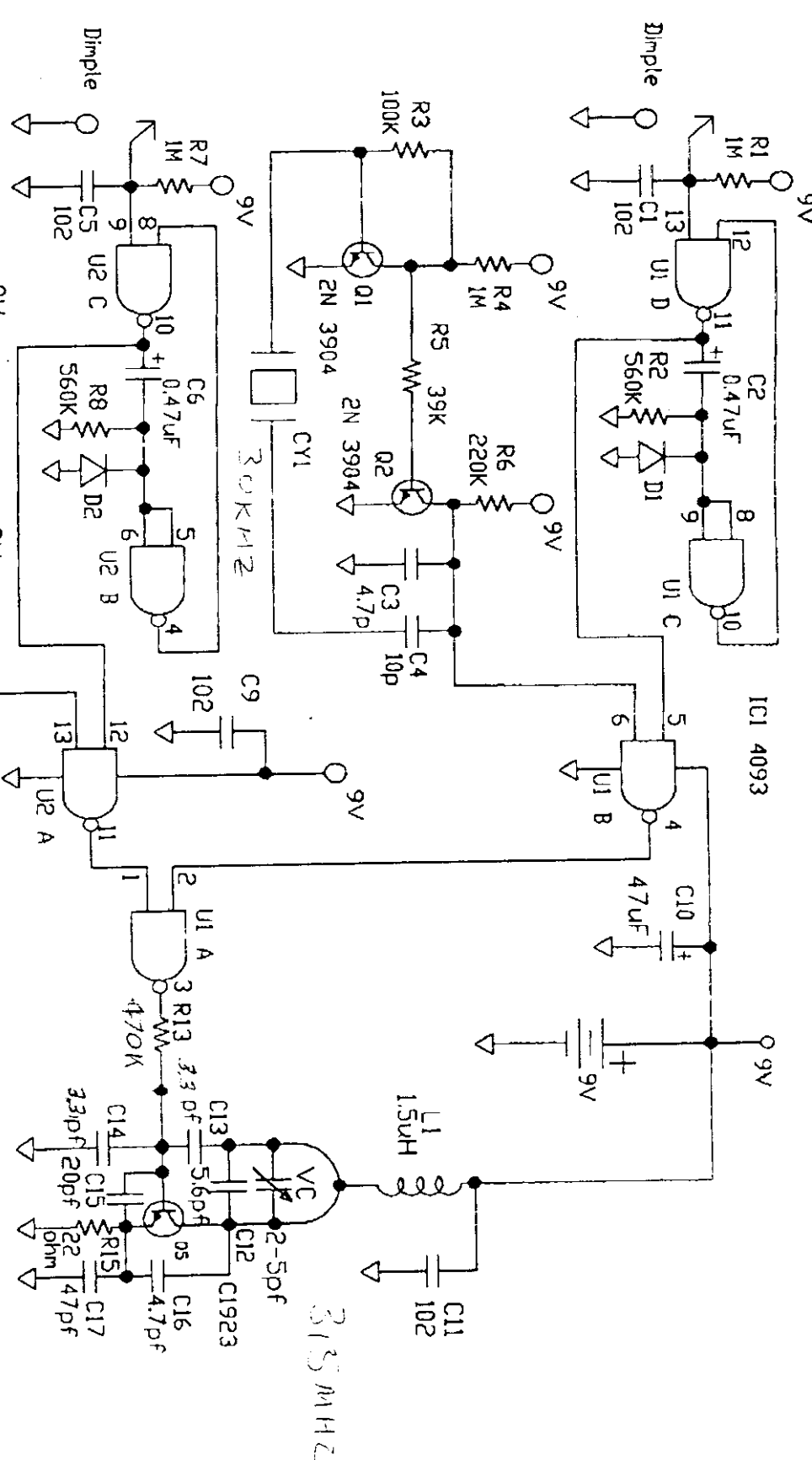


To: Roger Bentley P. 3

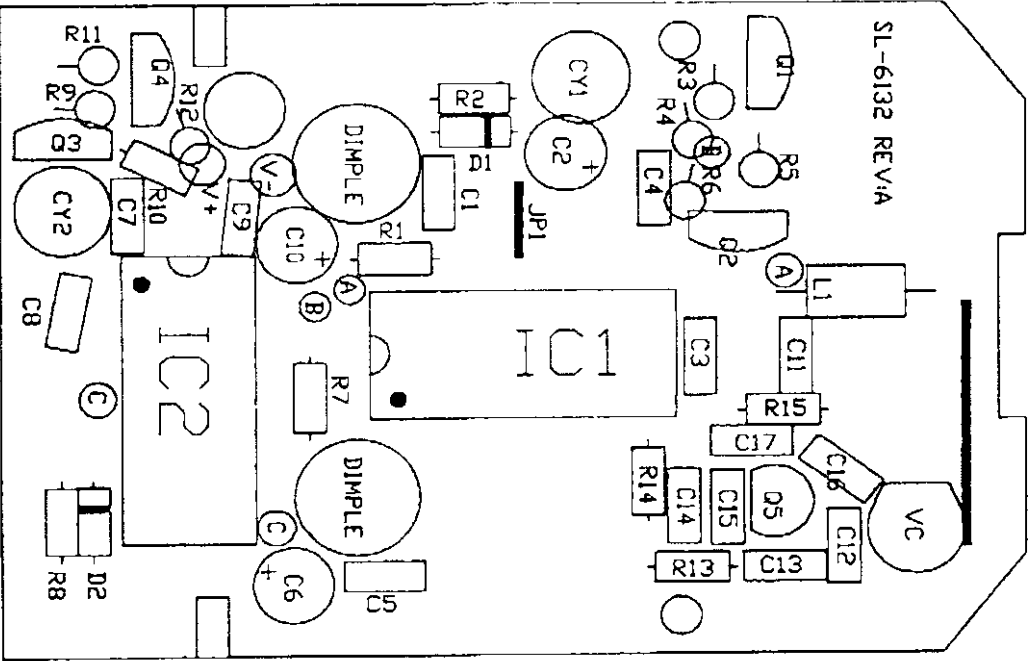


RELEASE:	TITLE:
TOLERANCE:	SL-6132 Schematic
JOBS: * TX-XXX	HEALTH COMPANY LTD.
HOLES: * TX-XXX	
ANGLES: * TX-XXX	
MATERIAL:	
DATE: /98	PART NO:
PRODUCTION:	PROJ:
SCALE:	SHEET:
REV: A	

To: Roger Bentley

P.1

03/25/88



Model: SL-6132

P/N: 085-6132-01

SILK SIDE

Material: 94V0

Thickness: 1.6mm

Copper: 10Z

Scale: 2:1

Rev: A

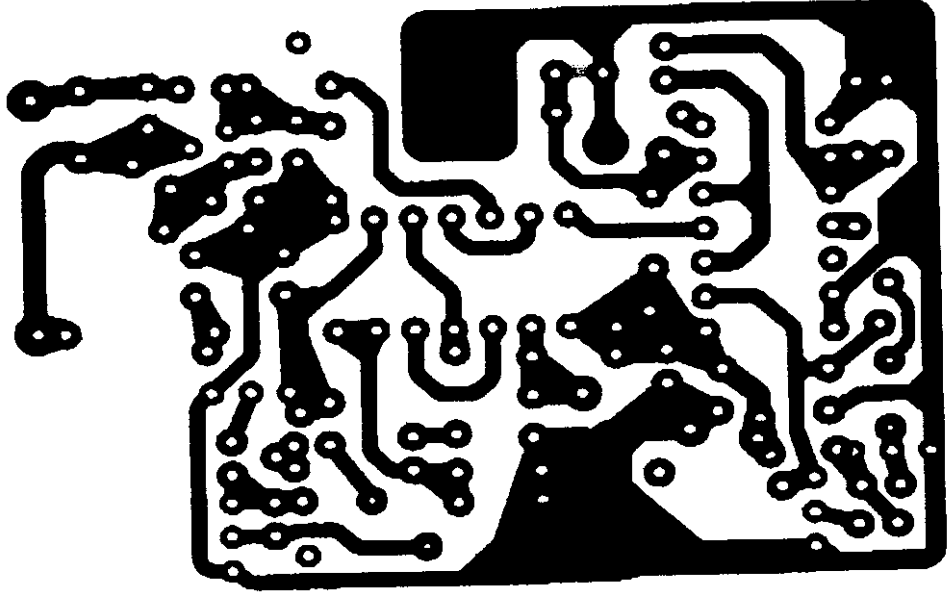
\* Golden plate for Dimple area.

FCC ID: BJ4-61WRC32TX

05/20/77

P.2

To: Roger Bentley



Model:SL-6132

Foil Side

Scale:2:1

