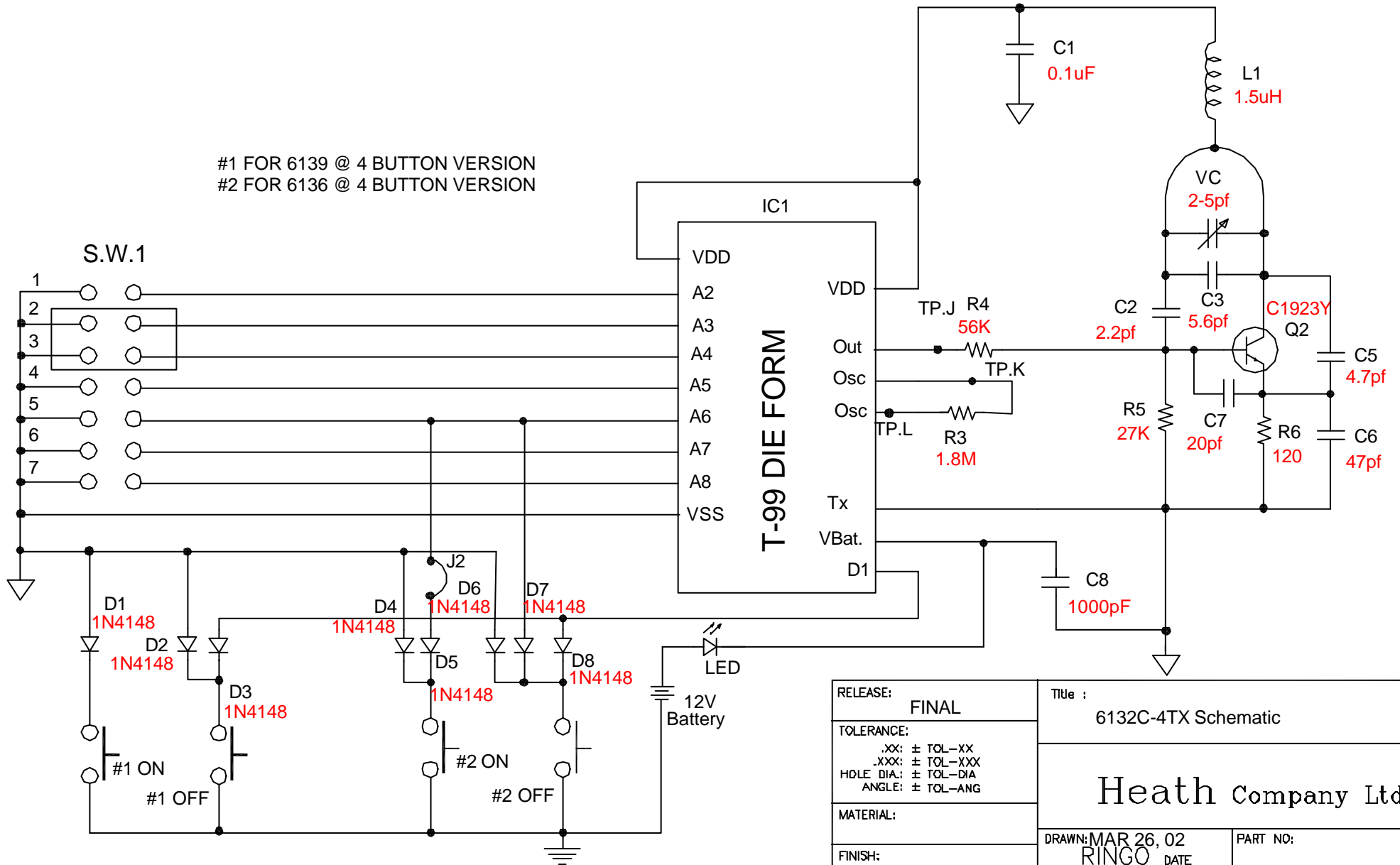


#1 FOR 6139 @ 4 BUTTON VERSION
 #2 FOR 6136 @ 4 BUTTON VERSION



RELEASE:	FINAL		Title :	6132C-4TX Schematic	
TOLERANCE:	.XX: ± TOL-XX .XXX: ± TOL-XXX HDLE DIA: ± TOL-DIA ANGLE: ± TOL-ANG		<h1>Heath Company Ltd.</h1>		
MATERIAL:					
FINISH:	DRAWN: MAR 26, 02	PART NO:	REV:		
	RINGO	DATE			
SCALE:	PROJECTION:	PROJN	SHEET:	1	