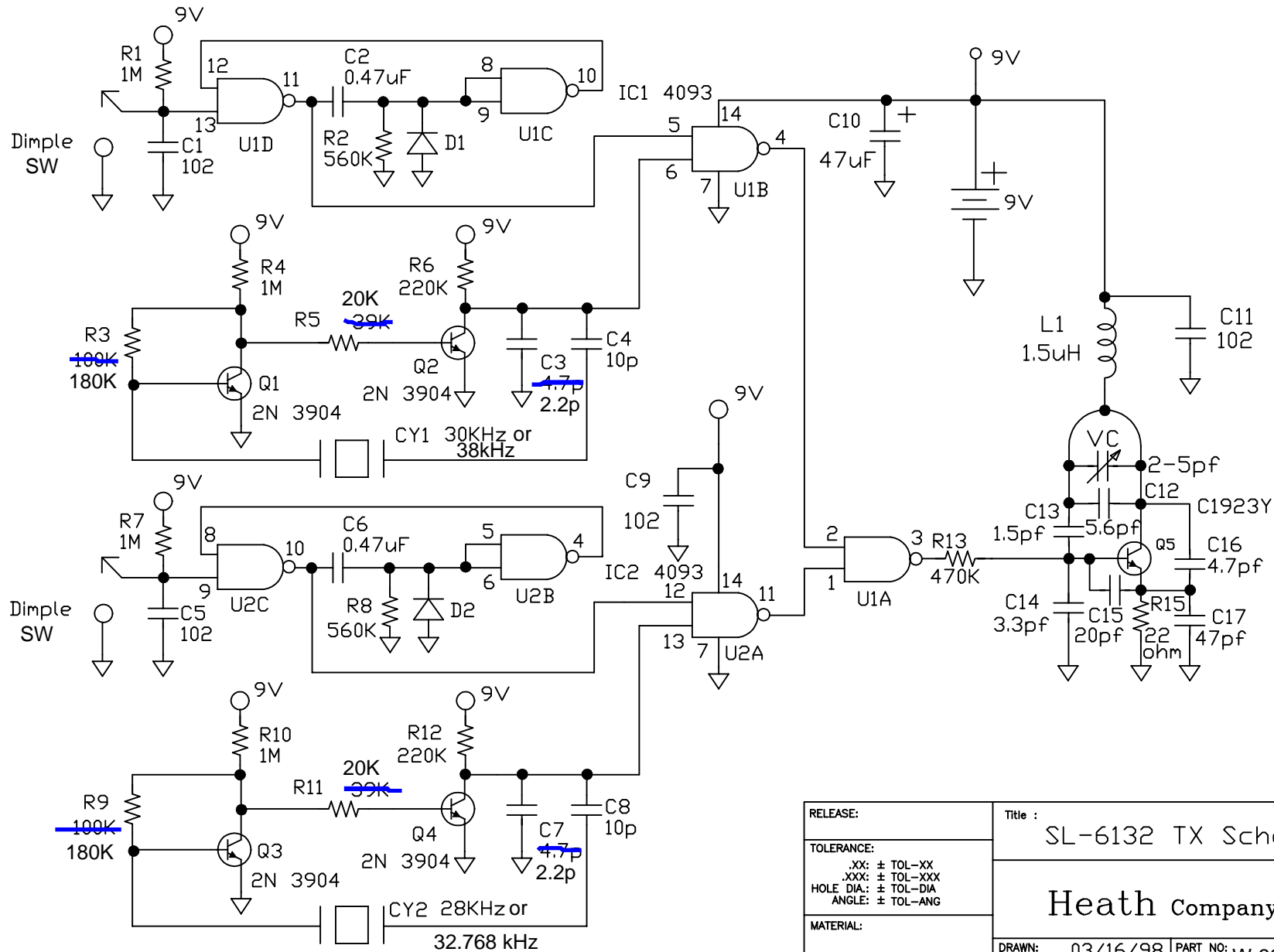


Rev:C	The value of C13 is changed, was 3.3pf.	Wilson Chiu	06/16/98
Rev:B	The value of C2 and C6 are changed, were 47uf. The pin number of U1B output is corrected, was 4.	Wilson Chiu	05/28/98
Rev:A	The value of R13,C13,C14 are changed, were 120K, 2.2pf and 20pf respectively. R14 is deleted.	Wilson Chiu	05/27/98



RELEASE:	Title : SL-6132 TX Schematic		
TOLERANCE: .XX: ± TOL-XX .XXX: ± TOL-XXX HOLE DIA: ± TOL-DIA ANGLE: ± TOL-ANG	Heath Company Ltd.		
MATERIAL:	DRAWN: Wilson	DATE: 03/16/98	PART NO: W-32A-TX
FINISH:	SCALE:	PROJECTION: PROJN	REVISION: C
			SHEET: 1