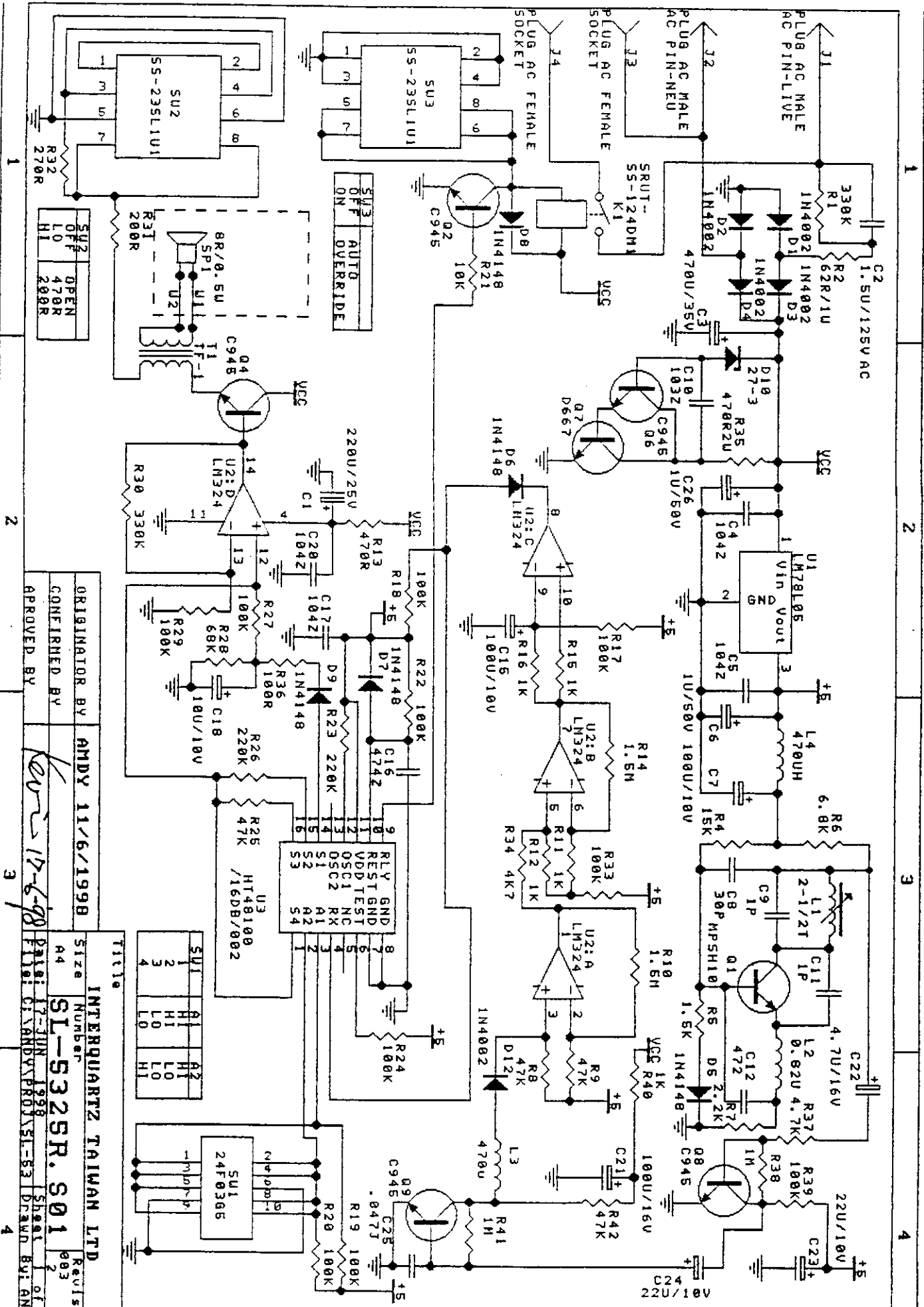


CIRCUIT DIAGRAM

FCC ID. No.: BJ4-53WOS22ARX



ORIGINATOR BY	ANDY 11/6/1998
CONFIRMED BY	
APPROVED BY	<i>Ken 17-6-98</i>

Size	A4
Number	1
Rev	003
Date	17-JUN-1998
File	C:\ANDY\PROJ\SL-53
Sheet	1
of	2
Drawn By	IANJ

INTERQUARTZ TAIWAN LTD

Title	
SU1	HI HI
2	HI HI
3	LO LO
4	LO LO

SL-532SR. S01

1 of 2