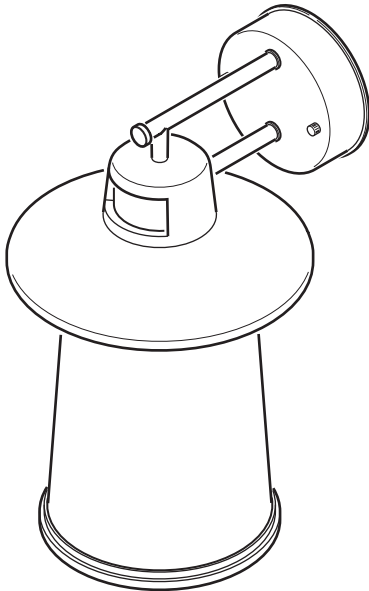




Model
4034-07



Motion Decorative Light

INSTALLATION AND OPERATING INSTRUCTIONS

SAFETY INFORMATION	2
PREPARATION	2
HARDWARE CONTENTS	2
LIGHT FIXTURE INSTALLATION	3
WIRING THE LIGHT FIXTURE	4
MOUNTING THE LIGHT FIXTURE	5
TESTING AND ADJUSTMENTS	5
LINKING LIGHTS	6
FINAL SETUP	6
LINK TECHNOLOGY	6
OPERATING MODES	7
CARE AND MAINTENANCE	7
TROUBLESHOOTING GUIDE	8
SPECIFICATIONS	9
TECHNICAL SERVICE	9
ONE YEAR LIMITED WARRANTY	10



Questions?

Please refer to the troubleshooting guide in this manual or call our technical service department (English speaking only) at 1-800-858-8501, 8:00 a.m. - 5:00 p.m., CST, Monday - Friday before returning to your retailer.

Keep this manual for future reference.

ATTACH YOUR RECEIPT HERE

Receipt is required for all warranty requests.

Purchase Date _____

SAFETY INFORMATION

Please read and understand this entire manual before attempting to assemble, operate, or install the product.

This light fixture requires 120-volts AC. All wiring must be in accordance with the National Electrical Code (Canadian Electrical Code in Canada). Some local electrical codes require installation by a qualified electrician.

WARNING

- **Turn power off at circuit breaker or fuse when wiring fixture. Place tape over circuit breaker switch and verify power is off at the fixture.**

CAUTION

- **Do not cut any wires that have factory installed wire connectors or remove the wire connectors.**

PREPARATION

Before beginning installation of product, make sure all parts are present. Compare parts with hardware contents list. If any part is missing or damaged, do not attempt to assemble, install, or operate the product.

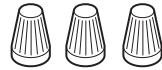
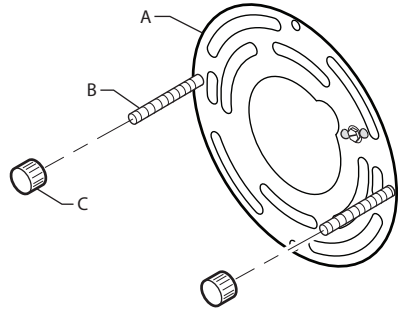
Tools Required for Assembly (not included): Phillips and flathead screwdrivers, pliers, wire strippers/cutters, multi-meter, electrical tape, silicone sealant, safety glasses, work gloves, and ladder

- For easy installation and to operate the light using Manual mode, replace an existing light fixture operated by a wall switch.
- Do not connect to dimmers or timers.
- For best performance, mount fixture about 6 feet (1.8 m) above the ground.

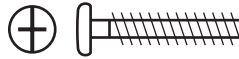
Estimated Installation Time: 30 minutes

HARDWARE CONTENTS

Note: Illustrations may vary from actual unit.



3x – Wire Connectors



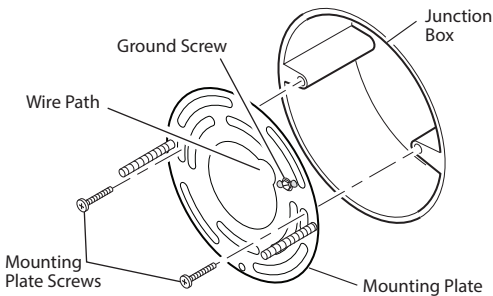
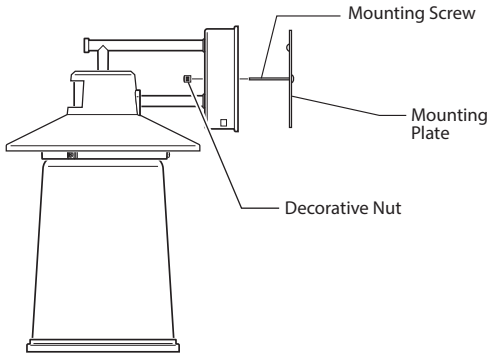
2x – Mounting Plate Screw

A - (1x) Mounting Plate
B - (2x) Fixture Mounting Screws
C - (2x) Decorative Nut
(This assembly is attached to the rear of the lantern canopy.)

LIGHT FIXTURE INSTALLATION

For best performance, mount the fixture about 6 feet (1.8 m) above the ground.

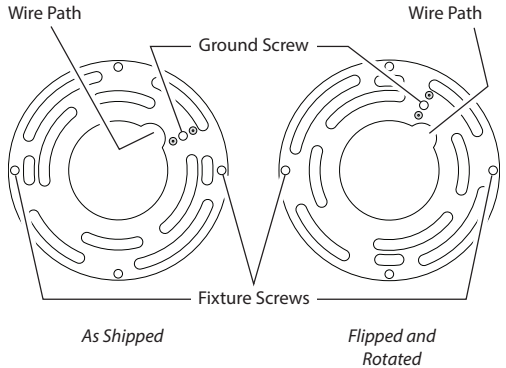
1. Remove two decorative nuts.
2. Remove mounting plate.
3. Tighten mounting screws finger tight.
4. Attach mounting bracket to junction box.



This fixture comes with a universal mounting plate. It is pre-assembled on the fixture to fit the majority of junction box applications.

If the slots on the mounting plate do not line up with the junction box screw holes, follow these steps:

1. Remove the fixture mounting screws from the mounting plate. *Note:* Do not remove the ground screw.
2. Attach ground wire "pigtail" to ground screw on mounting plate (See *Recommended Grounding Method* for additional information).
3. Flip the mounting plate over.
4. Rotate the mounting plate so the wire path is on the upper right. *Note:* The wire path on the mounting plate must be located as shown below to allow the wires on the back of the fixture to pass through.
5. Reinstall the fixture mounting screws and attach the mounting plate to the junction box as shown.



Note: We recommend having an assistant help hold the lantern assembly during the wiring process.

WIRING THE LIGHT FIXTURE

⚠ WARNING: Turn power off at circuit breaker or fuse.

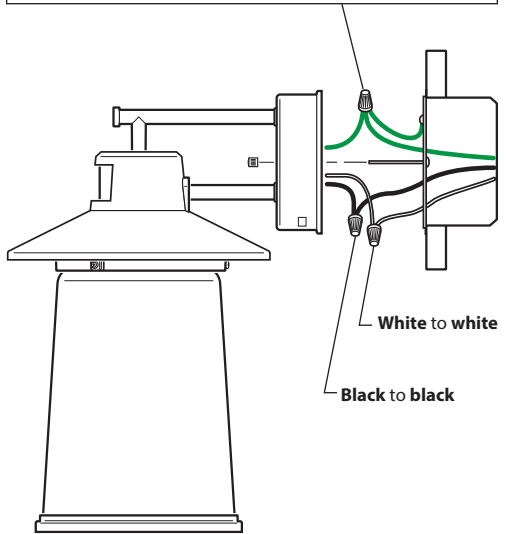
Note: All wiring must be run in accordance with the National Electrical Code through conduit or another acceptable means. **Contact a qualified electrician if there is any question as to the suitability of the system.**

Connect the fixture wires to the wires in the junction box. Twist the wires together and secure with wire connectors.

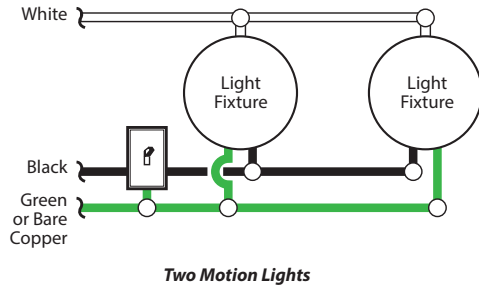
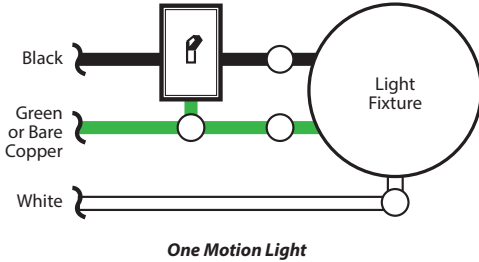


Recommended Grounding Method

Use a green ground “pigtail” (not provided) and twist one end together with the bare fixture wire and the box ground wire. Secure with a wire connector. Secure the other end of the “pigtail” with the GND screw on the mounting plate.

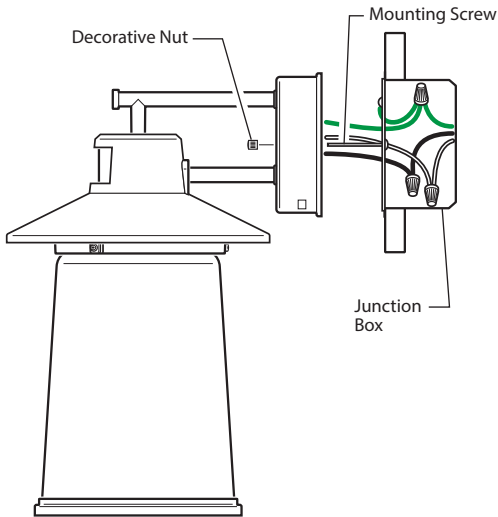


If you have metal junction box, you may not need the green “pigtail”. If you are unsure about the grounding method, consult your local building code.

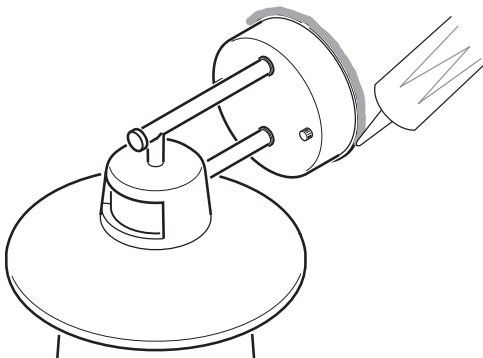


MOUNTING THE LIGHT FIXTURE

1. Make sure wire connectors and wires are inside the junction box.
2. Slide the fixture assembly onto the mounting screws. Tighten decorative nuts removed in step 1 of *Light Fixture Installation* section securely against fixture base.



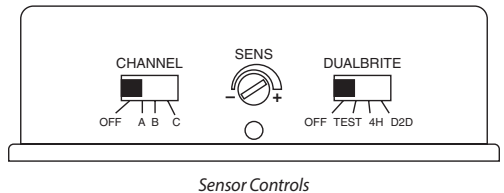
3. Install one medium base light bulb (100 Watt maximum, tungsten incandescent).
4. **Caulk around fixture base with silicone weathersealant.**



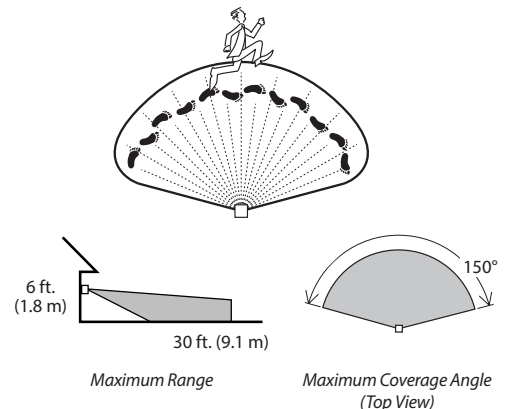
Caulking Around Fixture Base

TESTING AND ADJUSTMENTS

The TEST mode overrides the photocell (daylight shutoff feature) and allows the light fixture to be tested day or night when the DUALBRITE switch is in the TEST position. The light will stay on for 5 seconds after all motion has stopped.



1. Slide the CHANNEL switch to OFF.
2. Slide the DUALBRITE switch to TEST.
3. Set sensitivity control (SENS) to MIN position.
4. Turn on the circuit breaker or fuse and the light switch.
5. Allow the sensor to completely warm up (90 seconds) before beginning the setup process.
6. Perform a walk test. Walk through the coverage area noting where you are when the lights turn on.
7. Stop, wait for the light to turn off (5 seconds), and then begin walking again. Continue this process until the detection zone has been established.
8. Adjust the sensitivity (SENS) to increase or decrease the range as needed. Too much sensitivity may cause false triggering due to heat sources in the coverage area (see *Testing and Adjustments* or *Troubleshooting* section).



LINKING LIGHTS

This light has been designed with Link technology which allows multiple lights to be connected together wirelessly. Linked lights can be grouped into one of three possible channels to create linked zones of lighting. See *Link Technology* section for more information.

1. Slide the CHANNEL switch to the desired channel (A, B, or C) on all lights to be linked together.
2. Slide the DUALBRITE switch to the TEST position on all of the selected lights. *Note:* The TEST mode overrides the photocell (daylight shutoff feature) and allows the light fixture to be tested day or night.
3. Walk in front of each light to ensure all linked lights are activated from another linked light. *Note:* The linked lights may not come on at the same time because of the delay of the transmission signal.

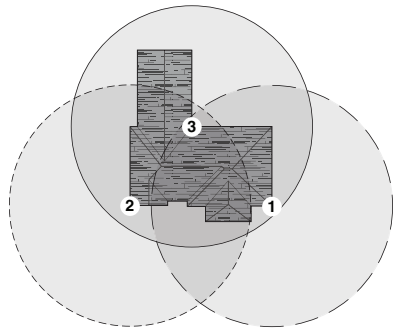
FINAL SETUP

1. When testing is complete, set the DUALBRITE switch to the desired amount of time after dusk the lights should remain on at a reduced light level [Off, 4 Hrs., Dusk-to-Dawn (D2D)]. See *Optional DualBrite® Control* section for more information.
2. The amount of time the lights stay on at full bright after ALL motion has stopped in front of ALL linked lights is preset to 5 minutes.

LINK TECHNOLOGY

Link technology allows multiple lights to be connected together wirelessly. When one light senses motion it will turn on full bright and send out a wireless signal. All lights within range and on the same channel will also turn on full bright. Each time a light receives a signal, it will then repeat the signal so other lights not in range of the first light will also turn on full bright. Linked lights can be grouped into one of three possible channels (A, B, or C) to create linked zones of lighting. *Note:* Linked lights turn off independently of each other and may not turn off at exactly the same time.

Illustration example: Light #1 senses motion and sends a signal. Light #2 is out of range of light #1 and does not receive the signal. Light #3 is in range of light #1 and receives the activation signal. Light #3 is activated and repeats the signal. Light #2 is in range of light #3 and is activated. *Note:* All the lights will send out a signal when activated, even if the light's DualBrite switch is set to OFF. If the light is in manual mode, it will repeat any signal it receives but will not initiate a signal.



OPERATING MODES

Mode:	On-Time	Works:	Day	Night
Test	5 Seconds		x	x
Auto	5 Minutes			x
Accent	Off, 4 Hours, Dusk-to-Dawn			x
Manual	6 Hours or Dawn*			x

* resets to Auto Mode at dawn.

Note: When first turned on wait about 1 1/2 minutes for the circuitry to calibrate.

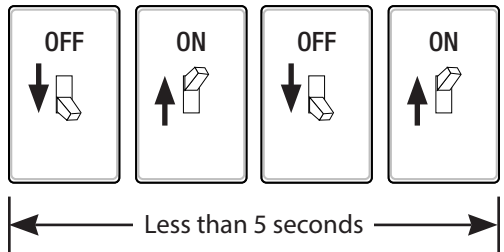
- **Motion Sensor (AUTO)** – This light fixture is designed to automatically turn on when the sensor detects a temperature difference moving across the front of the motion sensor. The amount of time the lights stay on at full bright after ALL motion has stopped in front of ALL linked lights is preset to 5 minutes.

- **Optional DualBrite® Control** – DualBrite mode is a selectable feature that turns the light on at dusk in a reduced light level. The light will stay on at the reduced light level for the amount of time selected [Off, 4 hr., dusk-to-dawn (D2D)]. When motion is detected, the light will increase to full bright. The light will stay on at the full bright level for 5 minutes after ALL motion has stopped in front of ALL linked lights. The light will then return to the reduced light level. Once the DualBrite timer runs out, the light will turn ON only when motion is detected by any of the linked lights. Selecting OFF disables the DualBrite feature, however the motion sensing and Link features will continue to work.

For linked lights, the first light to sense darkness will turn on all other linked lights on the same channel if the DualBrite timer has been turned ON on each linked light. The lights will turn OFF independently of each other and may not turn OFF at exactly the same time.

- **Manual Mode** – Manual mode overrides the motion sensor and “DUALBRITE” control so the light will operate full bright. This feature only works at night and only for one night at a time. The motion sensor will reset to motion sensing mode after 6 hours or sunrise, whichever comes first. Manual mode can be toggled on and off using a wall switch. **Note:** If the power to the light fixture is off for more than 5 seconds, allow the motion sensor to warm up prior to switching to manual mode.

1. Ensure the power to the light is ON and the sensor has warmed up (90 seconds).
2. To turn manual mode on after dark, switch the power OFF–ON–OFF–ON at the wall switch within 5 seconds.
3. To turn manual mode off, switch the power OFF–ON–OFF–ON at the wall switch within 5 seconds.



IMPORTANT: If manual mode does not turn ON or OFF, use a slower pace turning the power ON and OFF at the wall switch while staying within 5 seconds.

CARE AND MAINTENANCE

- To prolong the original appearance, clean with clear water and a soft damp cloth only.
- Do not use paints, solvents, or other chemicals on this light fixture. They could cause a premature deterioration of the finish. This is not a defect in the finish and will not be covered by the warranty.
- Do not spray with hose or power washer.

TROUBLESHOOTING GUIDE

SYMPTOM	POSSIBLE CAUSE	SOLUTION
Lights will not come on.	<ol style="list-style-type: none"> 1. Light switch is turned off. 2. Light bulb is loose or burned out. 3. Fuse is blown or circuit breaker is turned off. 4. Daylight turn-off is in effect. 5. Sensor not detecting movement. 6. Incorrect circuit wiring, if this is a new installation. 7. The outside air temperature is close to the same as a person's body heat. 	<ol style="list-style-type: none"> 1. Turn light switch on. 2. Check bulb and replace if burned out. 3. Replace fuse or turn circuit breaker on. 4. Recheck after dark. 5. Increase the "Sensitivity" setting. 6. Verify wiring is correct. 7. Increase the "Sensitivity" setting.
Lights come on in daylight.	<ol style="list-style-type: none"> 1. The motion sensor may be installed in a relatively dark location. 2. The "DUALBRITE" switch is in the "TEST" position. 	<ol style="list-style-type: none"> 1. The fixture is operating normally under these conditions. 2. Set the "DUALBRITE" switch to the OFF, 4 hour, or dusk-to-dawn (D2D) setting.
Lights come on for no apparent reason.	<ol style="list-style-type: none"> 1. The motion sensor may be sensing small animals or automobile traffic. 2. Sensitivity is set too high. 3. The "DUALBRITE" switch is in the 4 hour or dusk-to-dawn (D2D) setting. 4. The light fixture is linked to another light. 5. The light fixture is on the same channel as a neighbor's linked light fixture. 6. The outside temperature is much warmer or cooler than a person's body heat (summer or winter). 7. The light fixture is wired through a dimmer or timer. 	<ol style="list-style-type: none"> 1. Reduce sensitivity. 2. Reduce sensitivity. 3. The light fixture is operating normally under these circumstances. 4. The light fixture is operating normally if linked. The Link option can be turned OFF or set to a different channel. 5. Change the channel of the affected light fixtures to a different channel. 6. Reduce sensitivity. 7. Do not use a dimmer or timer to control the light fixture. Replace the dimmer or timer with a standard on/off wall switch.
The lights turn off too late in dusk-to-dawn (D2D) setting.	The light fixture may be installed in a relatively dark location.	Relocate the light fixture or use the 4 hour setting.
Link technology lights are not activating each other.	<ol style="list-style-type: none"> 1. Linked lights are not set to the same channel. 2. Too many obstructions are creating interference between the linked lights. 	<ol style="list-style-type: none"> 1. Ensure the linked lights are set to the same channel. 2a. Add a Link light between the existing lights to create an additional relay point. 2b. Move the Link lights closer to each other.
Lights stay on continuously.	<ol style="list-style-type: none"> 1. The sensor may be picking up a heat source like an air vent, dryer vent, or brightly painted, heat-reflective surface. 2. The motion sensor is in manual mode. 3. Light control is in DUALBRITE® mode. 4. Sensitivity is set too high. 5. A linked light fixture is picking up continuous motion and is keeping all linked lights on. 6. Motion is being detected by multiple linked lights and is keeping all linked lights on. 7. The light fixture is wired through a dimmer or timer. 8. The light fixture is on the same circuit as a motor, transformer, or fluorescent bulb. 	<ol style="list-style-type: none"> 1. Reduce sensitivity. 2. Switch the motion sensor to auto. See <i>Manual mode</i> on page 7. 3. Slide DUALBRITE® switch to OFF position. 4. Reduce sensitivity. 5. The light fixtures are operating normally under these circumstances. 6. The light fixtures are operating normally under these circumstances. 7. Do not use a dimmer or timer to control the light fixture. Replace the dimmer or timer with a standard on/off wall switch. 8. Install the light fixture on a circuit without motors, transformers, or fluorescent bulbs.
Lights flash on and off.	<ol style="list-style-type: none"> 1. Light control is in the TEST mode and warming up. 2. Heat being reflected from other objects may be affecting the sensor. 	<ol style="list-style-type: none"> 1. While in "TEST" mode, the light only stays on for 5 seconds. Set the "DUALBRITE" switch to OFF, 4 hour, or dusk-to-dawn (D2D). 2. Reduce sensitivity.
<p>Seasonal Temperature Changes – The closer the surrounding temperature is to a person's body heat, the less sensitive the sensor will appear. The greater the temperature difference, the more sensitive the sensor will appear. The SENS control might need to be readjusted toward MIN or MAX as the outside temperature changes for the different seasons. This is a normal part of the light sensor's operation.</p>		

SPECIFICATIONS

Range	Up to 30 ft. (9.1 m) [varies with surrounding temperature]
Sensing Angle.....	Up to 150°
Electrical Load	Up to 100 Watt Maximum Incandescent
Bulb Type	Medium Base, Type "A", 100 Watt Maximum
Power Requirements.....	120 VAC, 60 Hz
Operating Modes	TEST, MOTION ACTIVATED, and MANUAL MODE
ON-Timer.....	5 minutes (non-adjustable)
DUALBRITE® Timer.....	Off, 4 hours, dusk-to dawn (D2D)
Test Timer.....	5 Seconds
Manual Mode Timer.....	Maximum 6 hours or dawn, whichever comes first
Link Technology Range	Up to 100 ft (30.5 m) between each Link light fixture [varies with surrounding obstructions].

TECHNICAL SERVICE

**Please call 1-800-858-8501 (English speaking only) for assistance
before returning product to store.**

If you experience a problem, follow this guide. You may also want to visit our Web site at: www.hzsupport.com. If the problem persists, call* for assistance at **1-800-858-8501** (English speaking only), 8:00 AM to 5:00 PM CST (M-F). You may also write* to:

HeathCo LLC

P.O. Box 90045

Bowling Green, KY 42102-9045

ATTN: Technical Service

* If contacting Technical Service, please have the following information available: Model Number, Date of Purchase, and Place of Purchase.

No Service Parts Available for this Product

Please keep your dated sales receipt, it is required for all warranty requests.

TWO YEAR LIMITED WARRANTY

This is a "Limited Warranty" which gives you specific legal rights. You may also have other rights which vary from state to state or province to province.

For a period of 2 years from the date of purchase, any malfunction caused by factory defective parts or workmanship will be, at the sole option of HeathCo LLC, either repaired or replaced at no charge to you.

Not Covered - Repair service, adjustment and calibration due to misuse, abuse or negligence, light bulbs, batteries, and other expendable items are not covered by this warranty. Any damage to the light fixture resulting from the use of chemicals or a pressure washer machine are not covered by this warranty. Unauthorized service or modification of the product or of any furnished component will void this warranty in its entirety. This warranty does not include reimbursement for inconvenience, installation, setup time, loss of use, unauthorized service, or return shipping charges. HeathCo LLC reserves the right to discontinue products and to change specifications at any time without incurring any obligation to incorporate new features in products previously sold.

Finish Warranty Exclusions - Finishes for fixtures installed outdoors are subject to change due to prolonged exposure to sunlight, pollutants, and other environmental conditions. Metal finishes will naturally mature over time, changing in appearance and creating a living finish. Painted finishes on outdoor fixtures may naturally fade over time, depending on the fixture's exposure to the outdoor elements. Thus, any claim for fading, discoloration, or "patina" of a finish on an outdoor fixture is not applicable to the above warranty. See "Care and Maintenance", page 7, for proper cleaning of the fixture.

This warranty covers only HeathCo LLC assembled products and is not extended to other equipment and components that a customer uses in conjunction with our products.

THIS WARRANTY IS EXPRESSLY IN LIEU OF ALL OTHER WARRANTIES, EXPRESS OR IMPLIED, INCLUDING ANY WARRANTY, REPRESENTATION OR CONDITION OF MERCHANT ABILITY OR THAT THE PRODUCTS ARE FIT FOR ANY PARTICULAR PURPOSE OR USE, AND SPECIFICALLY IN LIEU OF ALL SPECIAL, INDIRECT, INCIDENTAL, OR CONSEQUENTIAL DAMAGES.

REPAIR OR REPLACEMENT SHALL BE THE SOLE REMEDY OF THE CUSTOMER AND THERE SHALL BE NO LIABILITY ON THE PART OF HEATHCO LLC FOR ANY SPECIAL, INDIRECT, INCIDENTAL, OR CONSEQUENTIAL DAMAGES, INCLUDING BUT NOT LIMITED TO ANY LOSS OF BUSINESS OR PROFITS, WHETHER OR NOT FORESEEABLE. Some states or provinces do not allow the exclusion or limitation of incidental or consequential damages, so the above limitation or exclusion may not apply to you.

Please keep your dated sales receipt, it is required for all warranty requests.

This device complies with Part 15 of the FCC Rules. Operation is subject to the following two conditions: (1) this device may not cause harmful interference, and (2) this device must accept any interference received, including interference that may cause undesired operation.

CAN ICES-005 (B)/NMB-005 (B)

Warning: Changes or modifications to this unit not expressly approved by the party responsible for compliance could void the user's authority to operate the equipment.

Note: This equipment has been tested and found to comply with the limits for a Class B digital device, pursuant to part 15 of the FCC Rules. These limits are designed to provide reasonable protection against harmful interference in a residential installation. This equipment generates, uses and can radiate radio frequency energy and, if not installed and used in accordance with the instructions, may cause harmful interference to radio communications. However, there is no guarantee that interference will not occur in a particular installation. If this equipment does cause harmful interference to radio or television reception, which can be determined by turning the equipment off and on, the user is encouraged to try to correct the interference by one or more of the following measures:

- Reorient or relocate the receiving antenna.
- Increase the separation between the equipment and receiver.
- Connect the equipment into an outlet on a circuit different from that to which the receiver is connected.
- Consult the dealer or an experienced radio/TV technician for help.

This device contains licence-exempt transmitter(s)/receiver(s) that comply with Innovation, Science and Economic Development Canada's licence-exempt RSS(s). Operation is subject to the following two conditions:

1. This device may not cause interference.
2. This device must accept any interference, including interference that may cause undesired operation of the device.

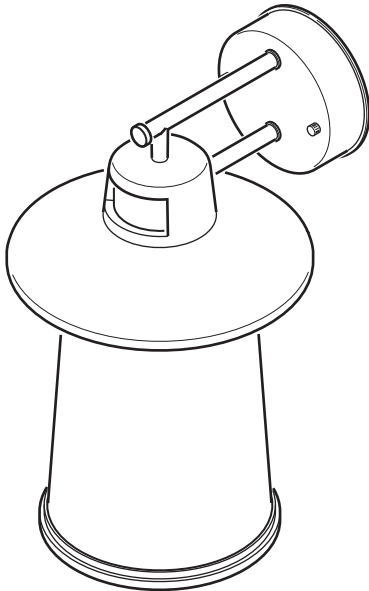
FCC Responsible Party Name: HeathCo LLC

Address: 2445 Nashville Road, Bowling Green, KY 42101 U.S.A.

Telephone Number: 800-858-8501



Modelo
4034-07



Luz decorativa detectora de movimiento

INSTRUCCIONES PARA SU INSTALACIÓN Y FUNCIONAMIENTO

INFORMACIÓN SOBRE LA SEGURIDAD	12
PREPARACIÓN	12
FERRERÍA OFRECIDA	12
INSTALACIÓN DEL APARATO DE LUZ	13
CABLEADO DEL APARATO DE LUZ	14
MONTAJE DEL APARATO DE LUZ	15
PRUEBAS Y AJUSTES	15
LUCES DE INTERCONEXIÓN	16
CONFIGURACIÓN FINAL	16
TECNOLOGÍA LINK	16
MODALIDADES DE OPERACIÓN	17
CUIDADO Y MANTENIMIENTO	17
GUÍA DE INVESTIGACIÓN DE AVERÍAS	18
ESPECIFICACIONES	19
SERVICIO TÉCNICO	19
GARANTÍA LIMITADA A 1 AÑO	20



¿Preguntas?

Por favor, consulte la guía de solución de problemas en este manual o llame a nuestro departamento de servicio técnico (solo para Inglés) al 1-800-858-8501, de 8:00 am - 5:00 pm, hora central, de lunes a viernes antes de volverlo a la tienda.

Guarde este manual para referencia en el futuro.

ADJUNTE SU RECIBO AQUÍ

Se requiere recibo para todas las solicitudes de garantía.

Fecha de compra _____

INFORMACIÓN SOBRE LA SEGURIDAD

Por favor lea y comprenda todo el manual antes de intentar ensamblar, operar o instalar el producto.

Esta lámpara requiere de 120 voltios CA. Todo el cableado debe ser de acuerdo con el Código Nacional de Electricidad (Código Eléctrico Canadiense en Canadá). Algunos códigos eléctricos locales requieren que la instalación sea hecha por un electricista calificado.

ADVERTENCIA

- **Desconecte la alimentación en el disyuntor o fusible cuando haga el cableado de la lámpara. Ponga cinta adhesiva sobre el interruptor del disyuntor y verifique que la electricidad esté apagada en la lámpara.**

PRECAUCIÓN

- **No corte ningún cable que tenga conectores de cables instalados en fábrica ni retire los conectores.**

PREPARACIÓN

Antes de comenzar la instalación, asegúrese de que tiene todas las piezas. Compare las piezas con la lista de ferretería ofrecida. Si alguna pieza falta o está dañada, no intente ensamblar, instalar o utilizar el producto.

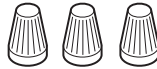
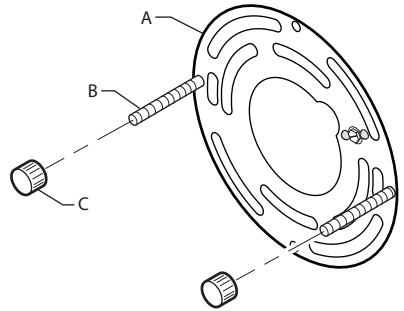
Herramientas necesarias para el montaje (no incluidas): Destornilladores Phillips y de cabeza plana, pinzas, separadores / cortadoras de alambre, multímetro, cinta aislante, sellador de silicona, gafas de seguridad, guantes de trabajo y escalera.

- Para una instalación fácil y para operar la luz utilizando la modalidad Manual, cambie el aparato de luz existente que funciona con un interruptor de pared.
- No lo conecte a atenuadores o temporizadores.
- Para un mejor funcionamiento, monte la unidad cerca de 6 pies (1,8 m) por encima del suelo.

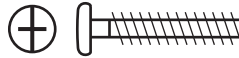
Tiempo estimado de instalación: 30 minutos

FERRETERÍA OFRECIDA

Nota: Las ilustraciones pueden ser diferentes de la unidad comprada.



3x – Conectores de alambre



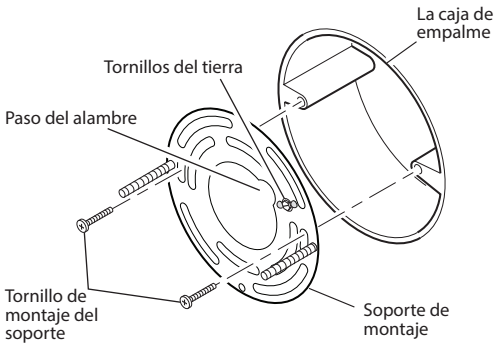
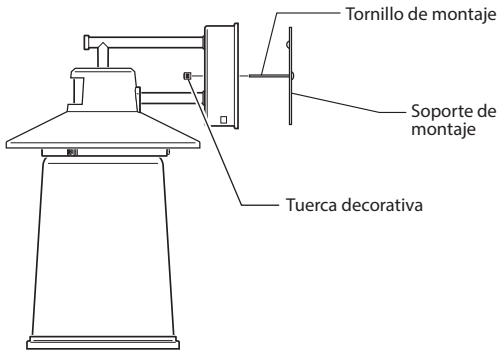
2x – Tornillo del soporte de montaje

A - (1x) Soporte de montaje
B - (2x) Tornillos de montaje del aparato
C - (2x) Tuerca decorativa (Este conjunto está sujeto a la parte trasera del farol)

INSTALACIÓN DEL APARATO DE LUZ

Para un mejor funcionamiento, instale el aparato a casi 1.8 m del suelo.

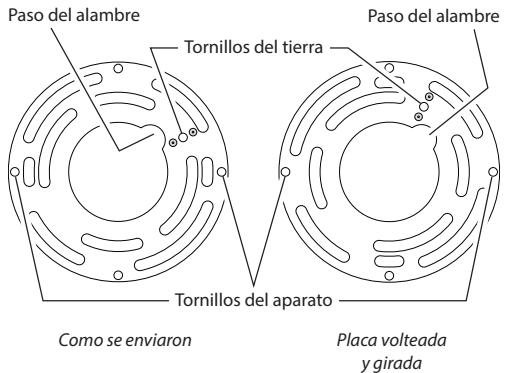
1. Quite dos tuercas decorativas.
2. Retire el soporte de montaje.
3. Ajuste lo más que pueda los tornillos para montaje con sus dedos.
4. Sujete el soporte de montaje a la caja de empalme.



Este aparato viene con una soporte de montaje universal. Está pre-ensamblado en el aparato para acomodarse a la mayoría de las aplicaciones de cajas de empalme.

Sin embargo, si las ranuras de la soporte de montaje no se alinean con los agujeros del tornillo de la caja de empalme:

1. Quite de la soporte de montaje los tornillos de montaje del aparato. *Nota:* No quite el tornillo de a tierra.
2. Fije el cable “flexible” al tornillo de a tierra de la soporte de montaje (Vea *Método recomendado de conexión a tierra* para más información).
3. Voltee la soporte de montaje
4. Voltee la soporte de montaje de modo que el agujero de paso del alambre esté en la parte derecha superior. *Nota:* El agujero de paso del alambre en la soporte de montaje debe estar ubicado como se muestra abajo para que los alambres de la parte de atrás del aparato puedan pasar.
5. Reinstale los tornillos de montaje del aparato y fije la soporte de montaje a la caja de empalme como se muestra.

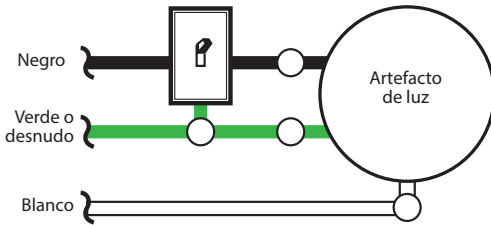


Nota: Recomendamos tener un asistente que ayude a sostener el conjunto del farol durante el proceso de cableado.

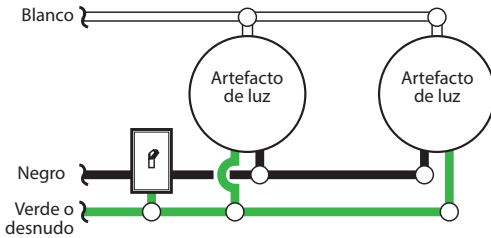
CABLEADO DEL APARATO DE LUZ

⚠️ ADVERTENCIA: Desconecte la alimentación en el disyuntor o en el fusible.

Nota: Todo el cableado debe realizarse de acuerdo con el Código Eléctrico Nacional usando tubería o algún otro medio aceptable. **Póngase en contacto con un electricista calificado si tiene alguna pregunta referente a la aptitud del sistema.**



Luz de un movimiento



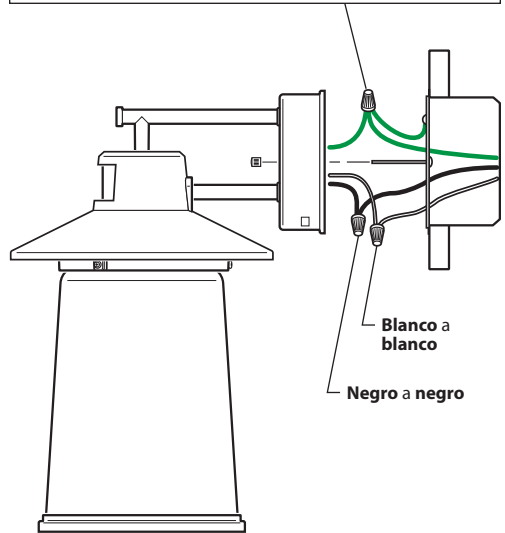
Luz de dos movimientos

Conecte los alambres del aparato a los alambres de la caja de empalme. Tuerza juntos los alambres y asegúrelos con conectores de alambre.



Método recomendado de conexión a tierra

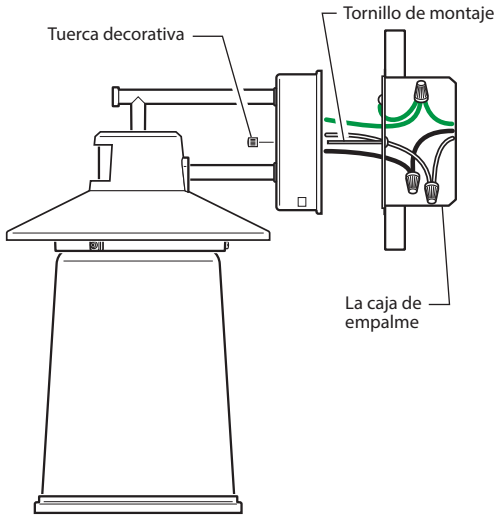
Use un “cable flexible” verde de tierra (no provisto) y tuerza un extremo con el cable desnudo del aparato y con el cable de a tierra de la caja. Asegúrelos con un conector de cables. Asegure el otro extremo del “cable flexible” con el tornillo de a tierra de la soporte de montaje.



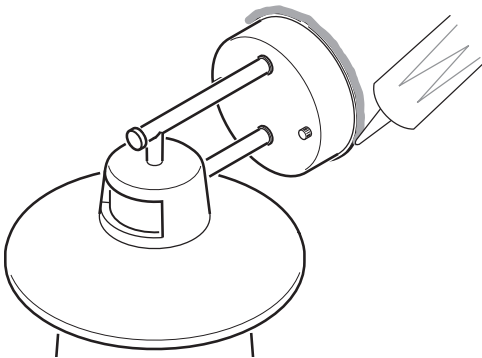
Si tiene una caja de empalme de metal, no necesita el “cable flexible”. Si no está seguro del método de conexión a tierra, consulte con el código local de construcción.

MONTAJE DEL APARATO DE LUZ

1. Asegúrese que los conectores de alambre y los alambres estén dentro de la caja de empalme.
2. Deslice el conjunto del aparato sobre los tornillos de montaje. Apriete las tuercas decorativas quitadas en el paso 1 de la sección *Instalación del Aparato de Luz* firmemente en la base del aparato.



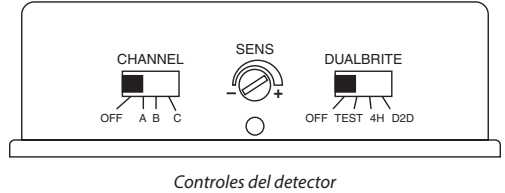
3. Instale una base media para bombilla (100 vatios máximo, tungsteno incandescente).
4. **Calafatee alrededor de la base del aparato con un sellador de silicona contra la intemperie.**



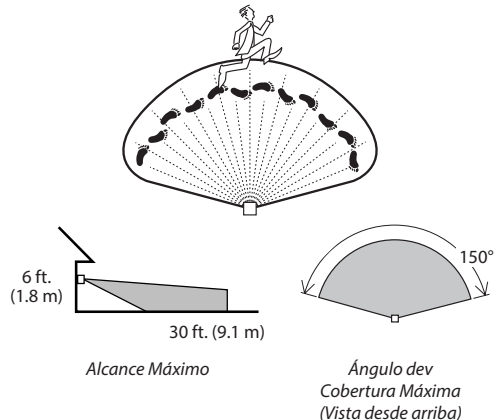
Calafatee alrededor de la base del aparato

PRUEBAS Y AJUSTES

La modalidad de TEST (PRUEBA) anula la fotocélula (función de desconexión de la luz del día) y permite probar la lámpara durante el día o la noche cuando el interruptor DUALBRITE está en la posición de PRUEBA. La luz permanecerá encendida por 5 segundos después de que todo movimiento se haya detenido.



1. Deslice el interruptor CHANNEL a OFF,
2. Deslice el interruptor DUALBRITE a TEST.
3. Fije el control de sensibilidad (SENS) a la posición MIN.
4. Encienda el disyuntor o fusible y el interruptor de la luz.
5. Deje que el sensor se caliente por completo (90 segundos) antes de comenzar el proceso de instalación.
6. Haga una prueba de paso. Camine por el área de cobertura y note dónde está usted cuando las luces se encienden.
7. Deténgase, espere que la luz se apague (5 segundos), y luego empiece a caminar de nuevo. Continúe este proceso hasta que la zona de detección haya sido establecida.



8. Regule la sensibilidad (SENS) para aumentar o disminuir el alcance según lo que necesite. Demasiada sensibilidad puede ocasionar falsas alarmas debido a fuentes de calor en la zona de cobertura (vea la sección *Ajuste de la zona de cobertura* o la sección *Análisis de averías*).

LUCES DE INTERCONEXIÓN

Esta luz ha sido diseñada con la tecnología Link que permite la conexión de múltiples luces entre sí en forma inalámbrica. Las luces de interconexión se pueden agrupar en uno de tres posibles canales para crear zonas interconectadas de iluminación. Vea la sección *Tecnología Link* para más información.

1. Deslice el interruptor de CANAL (CHANNEL) al canal deseado (A, B, o C) en todas las luces que deben estar interconectadas entre sí.
2. Deslice el interruptor DUALBRITE a la posición de prueba (TEST) en todas las luces seleccionadas. **Nota:** La fase de prueba anula la fotocélula (función de apagado de la luz del día) y permite que la lámpara sea probada durante el día o la noche.
3. Camine por delante de cada luz para asegurarse de que todas las luces interconectadas son activadas desde otra luz de interconexión. **Nota:** Las luces interconectadas pueden no prenderse al mismo tiempo, debido a la demora de la señal de transmisión.

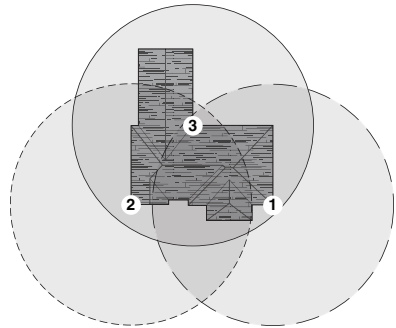
CONFIGURACIÓN FINAL

1. Cuando termine la prueba, ajuste el interruptor DUALBRITE a la cantidad deseada de tiempo, después del anochecer, que las luces deben permanecer prendidas a un nivel reducido [Off, 4 Hrs., anochecer al amanecer (D2D)]. Vea la sección *Control opcional DualBrite®* para más información.
2. La cantidad de tiempo que las luces permanecen encendidas a pleno brillo después de que TODO movimiento se haya detenido frente a TODAS las luces conectadas está preestablecido a 5 minutos.

TECNOLOGÍA LINK

La tecnología Link permite la conexión de múltiples luces entre sí en forma inalámbrica. Cuando una luz detecta movimiento se encenderá con todo su resplandor y enviará una señal inalámbrica. Todas las luces dentro de ese alcance y en el mismo canal también se encenderán con todo su resplandor. Cada vez que una luz recibe una señal, repetirá la señal para que otras luces que no están dentro del alcance de la primera luz también se encenderán con todo su resplandor. Las luces de interconexión se pueden agrupar en uno de tres posibles canales (A, B, o C) para crear zonas interconectadas de iluminación. **Nota:** Las luces interconectadas se apagan independiente la una de la otra y puede que no se apaguen exactamente al mismo tiempo.

Ejemplo de ilustración: La luz # 1 detecta movimiento y envía una señal. La luz # 2 está fuera del alcance de la luz # 1 y no recibe la señal. La luz # 3 está dentro del alcance de la luz # 1 y recibe la señal de activación. La luz # 3 se activa y se repite la señal. La luz # 2 está dentro del alcance de la luz # 3 y se activa. **Nota:** Todas las luces enviarán una señal cuando se activan, incluso si el interruptor de la luz DUALBRITE está en OFF. Si la luz está en fase manual, repetirá cualquier señal que recibe, pero no la iniciará.



MODALIDADES DE OPERACIÓN

Modalidad:	A tiempo:	Trabaja: Día	Noche
Prueba	5 segundos	x	x
Automático	5 minutos		x
Adorno	Off, 4 horas, anoche- cer al amanecer		x
Manual	6 horas o al amanecer*		x

*Se pone en Automático al amanecer.

Nota: Cuando encienda por primera vez, espere 1 1/2 minutos para que los circuitos se calibren.

• **Detector de movimiento (AUTO)** – Esta lámpara está diseñada para prenderse automáticamente cuando el sensor detecta una diferencia de temperatura que se mueve por el frente del detector de movimiento. La cantidad de tiempo que las luces permanecen encendidas a pleno brillo después de que **TODO** movimiento se haya detenido frente a **TODAS** las luces conectadas está preestablecido a 5 minutos.

• **Control opcional DualBrite®** – La fase DUALBRITE es una característica seleccionable que enciende la luz al anochecer a un nivel reducido de luz. La luz permanecerá encendida al nivel reducido de luz por la cantidad de tiempo seleccionado [Off, 4 hr., del anochecer al amanecer (D2D)]. Cuando se detecte movimiento, la luz brillará con todo su resplandor. La luz permanecerá encendida al nivel de brillo completo durante 5 minutos, después de que **TODOS** movimientos se ha detenido frente a **TODAS** las luces interconectadas. La luz volverá entonces al nivel de luz reducida. Una vez que el temporizador DUALBRITE se termina, la luz se encenderá sólo cuando el movimiento es detectado por cualquiera de las luces interconectadas. Si selecciona OFF desactiva la función DualBrite, sin embargo, las características de detección de movimiento y de Link continuarán funcionando.

En cuanto a las luces interconectadas la primera luz que detecta la oscuridad encenderá todas las otras luces interconectadas y en el mismo canal si el temporizador DUALBRITE ha sido prendido (ON) en cada luz interconectada. Las luces se apagarán independiente la una de la otra y puede que no se apaguen exactamente al mismo tiempo.

• **Modalidad Manual** – La modalidad manual anula el sensor de movimiento y el control "DUALBRITE" para que la luz funcione a pleno brillo. Esta característica funciona solamente en la noche y solamente una noche a la vez. El detector de movimiento se reiniciará en la modalidad de detección de movimiento después de 6 horas o cuando salga el sol, lo que ocurra primero. La fase manual puede también alternar entre encendido y apagado mediante el interruptor de pared. *Nota:* Si la energía eléctrica al aparato de luz es apagada por más de 5 segundos, deje que el detector de movimiento se caliente antes del cambio a la fase manual.

1. Asegúrese de que la luz está encendida (ON) y de que el detector se ha calentado (90 segundos).
2. Para activar la modalidad manual después del anochecer, accione el interruptor de pared según la secuencia OFF–ON–OFF–ON dentro de 5 segundos.
3. Para desactivar la modalidad manual, APAGUE- PRENDA- APAGUE- PRENDA la alimentación en el interruptor de pared en 5 segundos.



IMPORTANTE: Si la modalidad manual no se **ACTIVA** o **DESACTIVA**, utilice un ritmo más lento para **ACTIVAR** y **DESACTIVAR** usando el interruptor de pared mientras lo hace dentro de 5 segundos.

CUIDADO Y MANTENIMIENTO

- Para prolongar la apariencia original, limpie solo con agua clara y un paño suave y húmedo.
- No utilice pinturas, disolventes u otros productos químicos en esta lámpara. Pueden causar un deterioro prematuro del acabado. Esto no es un defecto en el acabado y no estará cubierto por la garantía.
- No lo rocíe con una manguera o una lavadora a presión.

GUÍA DE INVESTIGACIÓN DE AVERÍAS

SÍNTOMA	POSIBLE CAUSA	SOLUCIÓN
Las luces no se prenden.	<ol style="list-style-type: none"> 1. El interruptor de luz está apagado. 2. La bombilla está floja o quemada. 3. El fusible está quemado o el cortacircuitos está apagado. 4. La modalidad de apagado durante el día está en efecto. 5. El sensor no detecta el movimiento. 6. Alambreado incorrecto, si ésta es una nueva instalación. 7. La temperatura del aire exterior está cercana al calor corporal de una persona. 	<ol style="list-style-type: none"> 1. Encienda el interruptor de luz. 2. Revise la lámpara y cámbiela si está quemada. 3. Cambie el fusible encienda el disyuntor. 4. Revíselo después del anochecer. 5. Aumente el ajuste de sensibilidad ("SENS"). 6. Verifique que el cableado esté correcto. 7. Aumente el ajuste de sensibilidad ("SENS").
Las luces se prenden durante el día.	<ol style="list-style-type: none"> 1. El detector de movimiento puede estar instalado en un sitio relativamente oscuro. 2. El interruptor "DUALBRITE" está en la posición "TEST". 	<ol style="list-style-type: none"> 1. El aparato está funcionando normalmente bajo estas condiciones. 2. Fije el interruptor "DUALBRITE" a la posición OFF, 4 horas, o la configuración del anochecer hasta el amanecer (D2D).
Las luces se prenden sin ninguna razón aparente.	<ol style="list-style-type: none"> 1. El detector de movimiento puede estar detectando pequeños animales o tráfico automotor. 2. La Sensibilidad es demasiado alta. 3. El interruptor "DUALBRITE" está en la calibración 4 horas o del crepúsculo al amanecer (D2D). 4. La lámpara está interconectada con otra luz. 5. La lámpara está en el mismo canal que el aparato enlazado del vecino. 6. La temperatura exterior está más caliente o más fría que el calor corporal de una persona (verano o invierno). 7. El aparato de luz está cableado a través de un reductor de luz o de un temporizador. 	<ol style="list-style-type: none"> 1. Reduzca la sensibilidad. 2. Reduzca la sensibilidad. 3. El aparato de luz está operando normalmente bajo estas circunstancias. 4. La opción Link puede ser apagada (OFF) o fijada a un canal diferente. 5. Cambie el canal de las lámparas afectadas a un canal diferente. 6. Reduzca la sensibilidad. 7. No use un reductor de luz o un temporizador para controlar el aparato de luz. Cambie el reductor de luz o el temporizador por un interruptor de pared estándar de encendido/apagado.
Las luces se apagan demasiado tarde en la calibración crepúsculo-al amanecer (D2D).	El aparato de luz puede estar instalado en un sitio relativamente oscuro.	Cambie la ubicación de la lámpara o utilice la configuración de 4 horas.
Las luces de tecnología Link no se activan entre sí.	<ol style="list-style-type: none"> 1. Las luces vinculadas no están configuradas en el mismo canal. 2. Demasiadas obstrucciones están creando interferencia entre las luces conectadas. 	<ol style="list-style-type: none"> 1. Asegúrese de que las luces vinculadas estén configuradas en el mismo canal. 2a. Agregue una luz Link entre las luces existentes para crear un punto de relé adicional. 2b. Mueva las luces Link más cerca la una de la otra.
Las luces se quedan prendidas continuamente.	<ol style="list-style-type: none"> 1. El sensor puede detectar fuentes de calor, como ductos de calefacción y de aire acondicionado, o superficies resplandecientes que reflejan la luz. 2. El detector de movimiento está en la fase manual. 3. El control de luz está en la modalidad DUALBRITE®. 4. La Sensibilidad es demasiado alta. 5. Una lámpara interconectada está captando movimiento continuo y está manteniendo prendidas todas las luces interconectadas. 6. Múltiples luces interconectadas detectan movimiento lo que mantiene encendidas a todas las luces interconectadas. 7. El aparato de luz está cableado a través de un reductor de luz o de un temporizador. 8. El aparato de luz está en el mismo circuito que un motor, transformador o tubo fluorescente. 	<ol style="list-style-type: none"> 1. Reduzca la sensibilidad. 2. Cambie el detector de movimiento a automático. Vea <i>Modalidad manual</i> en la página 17. 3. Deslice el interruptor DUALBRITE® a la posición de apagado (off). 4. Reduzca la sensibilidad. 5. Las lámparas están funcionando normalmente bajo estas circunstancias. 6. Las lámparas están funcionando normalmente bajo estas circunstancias. 7. No use un reductor de luz o un temporizador para controlar el aparato de luz. Cambie el reductor de luz o el temporizador por un interruptor de pared estándar de encendido/apagado. 8. Instale el aparato de luz en un circuito sin motores, transformadores o tubos fluorescentes.

GUÍA DE INVESTIGACIÓN DE AVERÍAS

La luce se prenden y se apagan.	<ol style="list-style-type: none">1. El control de luz está en fase de Prueba y calentándose.2. El calor que se refleja de otros objetos pueden estar afectando al detector.	<ol style="list-style-type: none">1. Mientras está en la fase PRUEBA, la luz sólo queda encendida por 5 segundos. Fije el interruptor "DUALBRITE" en OFF, 4 horas, o del anochecer hasta el amanecer (D2D).2. Reduzca la sensibilidad.
Cambios estacionales de temperatura - Cuanto más cerca esté la temperatura ambiental al calor del cuerpo de una persona, el detector parecerá menos sensible. Cuanto mayor sea la diferencia de temperatura, el detector parecerá más sensible. El control SENS puede necesitar ser recalibrado hacia MIN o MAX a medida que la temperatura exterior cambia debido a las diferentes estaciones del año. Esta es una parte normal del funcionamiento del detector de luz.		

ESPECIFICACIONES

Alcance.....	Hasta 9.1 m. (varía con la temperatura del medio ambiente).
Ángulo de detección.....	Hasta 150°
Carga Eléctrica.....	Hasta un máximo de 100 vatios de incandescente
Tipo de bombilla.....	Casquillo mediano, tipo "A" de 100 vatios máximo
Requisitos de Energía.....	120 VCA, 60 Hz
Fases de Operación.....	PRUEBA, ACTIVADO POR MOVIMIENTO y FASE MANUAL
Temporizador de duración (del encendido).....	5 minutos (No regulable)
Temporizador de DUALBRITE®.....	Apagado, 4 horas, del atardecer al amanecer (D2D)
Temporizador de prueba.....	5 segundos
Temporizador de la fase manual.....	Máximo de 6 horas o hasta el amanecer, lo que ocurra primero
Alcance de la tecnología de interconexión.....	Hasta 100 pies (30,5 m) entre cada accesorio de luz Link [varía de acuerdo a las obstrucciones circundantes].

SERVICIO TÉCNICO

Favor de llamar al 1-800-858-8501 (sólo para hablar en inglés) para pedir ayuda antes de devolver el producto a la tienda.

Si tiene algún problema, siga esta guía. Usted puede también visitar nuestro sitio Web: www.hzsupport.com. Si el problema continúa, llame al **1-800-858-8501** (sólo para hablar en inglés), de 8:00 AM a 5:00 PM CST (L-V). Usted puede también escribir a:

HeathCo LLC
P.O. Box 90045
Bowling Green, KY 42102-9045
ATTN: Technical Service (Servicio Técnico)

* Si se llama al Servicio Técnico, por favor tener lista la siguiente información: Número de Modelo, Fecha de compra y Lugar de compra.

No hay piezas de servicio disponibles para este producto.

Por favor guarde su recibo de venta fechado; se lo requiere para cualquier solicitud de garantía.

GARANTÍA LIMITADA A 2 AÑOS

Esta es una "Garantía Limitada" que le da a Ud. derechos legales específicos. Usted puede también tener otros derechos que varían de estado a estado o de provincia a provincia.

Por un período de 2 años a partir de la fecha de compra, cualquier mal funcionamiento causado por piezas defectuosas o por mano de obra será reparado o reemplazado sin cargo alguno, a criterio exclusivo de HeathCo LLC.

No cubierto - Servicio de reparación, ajuste y calibración debido al mal uso, abuso o negligencia, bombillas, baterías, u otras partes fungibles no están cubiertas por esta garantía. Cualquier daño en el aparato de luz como resultado de usar productos químicos o lavadora a presión no están cubiertos por esta garantía. Los Servicios no autorizados o modificaciones del producto o de cualquier componente que se provee invalidarán esta garantía en su totalidad. Esta garantía no incluye reembolso por inconveniencia, instalación, tiempo de instalación, pérdida de uso, servicio no autorizado, o costos de transporte de retorno. HeathCo LLC se reserva el derecho de discontinuar productos y de cambiar especificaciones a cualquier momento sin incurrir en ninguna obligación de tener que incorporar nuevas características en los productos vendidos con anterioridad.

Exclusiones de garantía de los acabados - Los acabados de los aparatos instalados al aire libre están sujetos a cambios debido a su exposición prolongada a la luz solar, a los contaminantes y a otras condiciones ambientales. Los acabados de metal, naturalmente, madurarán con el tiempo, cambiando su apariencia y creando un acabado patinado. Los acabados pintados en aparatos al aire libre pueden desteñirse en forma natural con el tiempo, dependiendo de la exposición del aparato a la intemperie. Por lo tanto, cualquier reclamo por desteñido, decoloración o "pátina" del acabado de un accesorio al aire libre no es aplicable a la garantía antes mencionada. Vea la sección "Cuidado y mantenimiento" en la página 17, para una limpieza adecuada del aparato.

Esta garantía cubre solamente los productos ensamblados por HeathCo LLC y no se extiende a otros equipos o componentes que el consumidor usa junto con nuestros productos.

ESTA GARANTÍA ESTÁ EXPRESAMENTE EN LUGAR DE OTRAS GARANTÍAS, EXPRESADAS O SOBREEN-TENDIDAS, INCLUYENDO CUALQUIER GARANTÍA, REPRESENTACIÓN O CONDICIÓN DE COMERCIABILIDAD O QUE LOS PRODUCTOS SE ADAPTEN PARA CUALQUIER PROPÓSITO O USO EN PARTICULAR, Y ESPECIFICAMENTE EN LUGAR DE TODOS LOS DAÑOS ESPECIALES, INDIRECTOS, INCIDENTALES Y CONSECUENTES.

LA REPARACIÓN O EL REEMPLAZO DEBERÍA SER LA ÚNICA SOLUCIÓN DEL CLIENTE Y NO HABRÁ RESPONSABILIDAD POR PARTE DE HEATHCO LLC POR CUALQUIER DAÑO ESPECIAL, INDIRECTO, INCIDENTAL O CONSECUENTE, INCLUIDOS PERO NO LIMITADOS A CUALQUIER PÉRDIDA DE NEGOCIO O GANACIAS SEAN O NO PREVISIBLES. Algunos estados o provincias no permiten la exclusión o limitación de daños incidentales o consecuentes, de modo que la limitación o exclusión arriba indicada puede que no se aplique a Ud.

Por favor guarde su recibo de venta fechado; se lo requiere para cualquier solicitud de garantía.

Este aparato cumple con la Parte 15 de las Reglas de la FCC. La operación está sujeta a las dos siguientes condiciones: (1) este aparato no puede causar interferencias perjudiciales y (2) este aparato debe aceptar cualquier interferencia recibida, incluyendo una interferencia que pueda causar un funcionamiento indeseado. CAN ICES-005 (B)/NMB-005 (B)

Advertencia: los cambios o modificaciones hechas a esta unidad que no estén expresamente aprobados por la parte responsable del cumplimiento pueden anular la autoridad del usuario para operar el equipo.

Nota: Este equipo ha sido probado y se lo encontró que cumple con los límites para un dispositivo digital de Clase B, de acuerdo con la parte 15 de las Normas de la FCC. Estos límites están diseñados para proporcionar una protección razonable contra interferencias dañinas en una instalación residencial. Este equipo genera, usa y puede irradiar energía de radiofrecuencia y, si no se lo instala y usa de acuerdo con las instrucciones, puede causar interferencia dañina a las comunicaciones de radio. Sin embargo, no hay garantía de que la interferencia no ocurra en una instalación en particular. Si este equipo causa interferencia dañina a la recepción de radio o televisión, lo que se puede determinar apagando y encendiendo el equipo, se recomienda que el usuario intente corregir la interferencia mediante una o más de las siguientes medidas:

- Reoriente o reubique la antena receptora.
- Aumente la separación entre el equipo y el receptor.
- Conecte el equipo a un tomacorriente en un circuito diferente al que está conectado el receptor.
- Para recibir ayuda consulte con el distribuidor o con un técnico experto en radio / TV.

Este dispositivo contiene transmisores / receptores exentos de licencia que cumplen con los RSS exentos de licencia de Canadá de Innovación, Ciencia y Desarrollo Económico. Su funcionamiento está sujeto a las dos siguientes condiciones:

1. Este dispositivo no puede causar interferencia.
2. Este dispositivo debe aceptar cualquier interferencia, incluyendo la interferencia que pueda causar un funcionamiento indeseado del dispositivo.

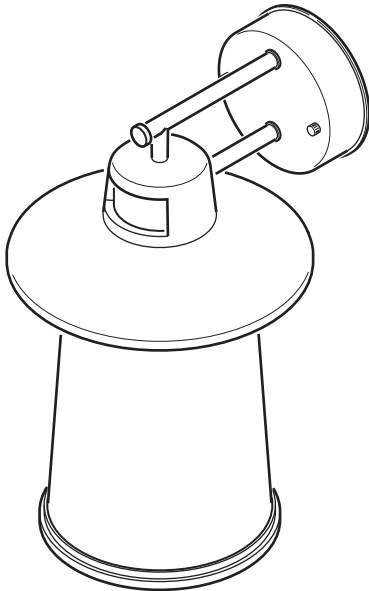
Nombre de la parte responsable de la FCC: HeathCo LLC

Dirección: 2445 Nashville Road, Bowling Green, KY 42101 U.S.A.

Número de teléfono: 800-858-8501



Modèle
4034-07



Luminaire décoratif à détecteur de mouvement

INSTRUCTIONS D'INSTALLATION ET MODE D'EMPLOI

RENSEIGNEMENTS DE SÉCURITÉ	22
PRÉPARATION	22
QUINCAILLERIE FOURNIE	22
INSTALLATION DU LUMINAIRE	23
BRANCHEMENT DU LUMINAIRE	24
MONTAGE DU LUMINAIRE	25
ESSAIS ET RÉGLAGES	25
INTERCONNEXION DES LUMINAIRES	26
RÉGLAGE FINAL	26
TECHNOLOGIE LINK	26
MODES DE FONCTIONNEMENT	27
ENTRETIEN ET MAINTENANCE	27
GUIDE DE DÉPANNAGE	28
FICHE TECHNIQUE	29
SERVICE TECHNIQUE	29
GARANTIE LIMITÉE DE 1 AN	30



Des questions?

Consultez le guide de dépannage du guide ou communiquez avec le service technique (en anglais seulement) au 1 800 858-8501, de 8 h à 17 h, HNC, du lundi au vendredi avant de retourner chez le détaillant.

Conservez ce guide à titre de référence.

FIXEZ VOTRE REÇU DE CAISSE ICI

Le reçu est nécessaire pour toute demande sous garantie.

Date d'achat _____

RENSEIGNEMENTS DE SÉCURITÉ

Veuillez lire et bien comprendre le guide avant de tenter d'assembler, d'utiliser ou d'installer le produit.

Ce luminaire exige une alimentation de 120 volts c.a. Tout le câblage doit être conforme au National Electrical Code (Code canadien de l'électricité au Canada). Certains codes électriques locaux exigent qu'un électricien accrédité installe ce luminaire.

AVERTISSEMENT

- **Coupez l'alimentation au niveau du disjoncteur ou du fusible pour brancher le luminaire. Placez un bout de ruban adhésif sur le disjoncteur assurez-vous que le courant est bien coupé au luminaire.**

ATTENTION

- **Ne coupez aucun fil doté de capuchons de connexion installés en usine et ne retirez pas ces capuchons de connexion.**

PRÉPARATION

Avant de commencer l'installation du produit, assurez-vous de bien avoir toutes les pièces. Comparez les pièces avec la liste de la quincaillerie fournie. S'il manque une pièce ou si l'une d'elles est endommagée, ne tentez pas d'assembler d'installer ou d'utiliser le produit.

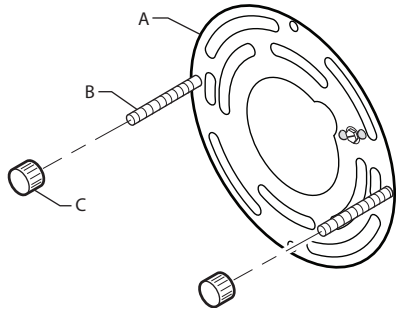
Outils nécessaires à l'assemblage (non fournis) : Tournevis Phillips et à lame droite, pinces, pinces à dénuder et à couper, multimètre, ruban adhésif électrique, scellant d'étanchéité à la silicone, lunettes de sécurité, gants de travail et échelle.

- Pour une installation et une utilisation faciles au moyen du mode Manuel, remplacez un luminaire existant commandé par interrupteur mural.
- Ne connectez pas ce luminaire à un gradateur ni à une minuterie.
- Pour un meilleur rendement, installez le luminaire à environ 6 pieds (1,8 m) du sol.

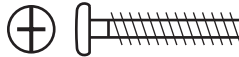
Durée estimative de l'installation : 30 minutes

QUINCAILLERIE FOURNIE

Remarque : Les illustrations peuvent être différentes de l'appareil acheté.

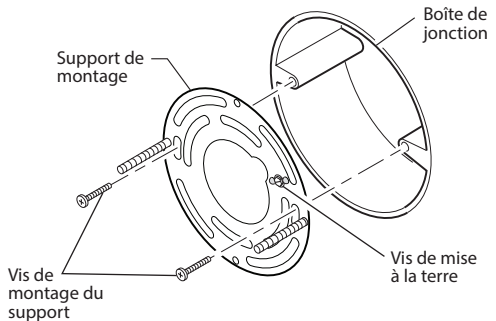


3x – Capuchons de connexion



2x – Vis de montage du support

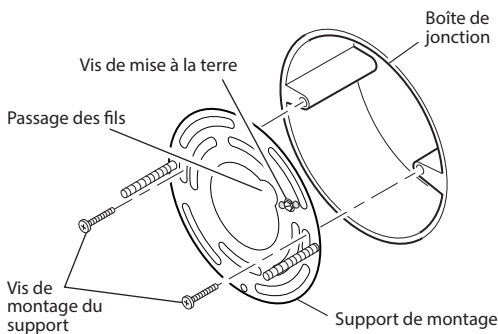
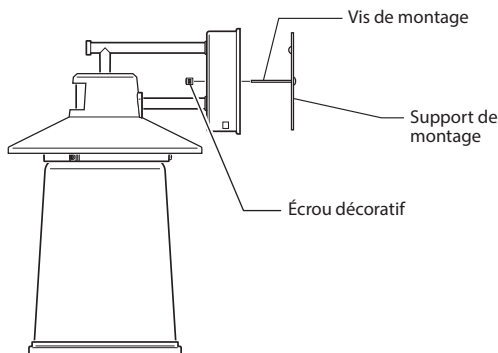
A - (1x) Support de montage
B - (2x) Vis de montage du luminaire
C - (2x) Écrou décoratif (Cet élément est fixé à l'ends du couvercle de la lanterne.)



INSTALLATION DU LUMINAIRE

Pour un rendement optimal, montez le luminaire à environ 1,8 m au-dessus du sol.

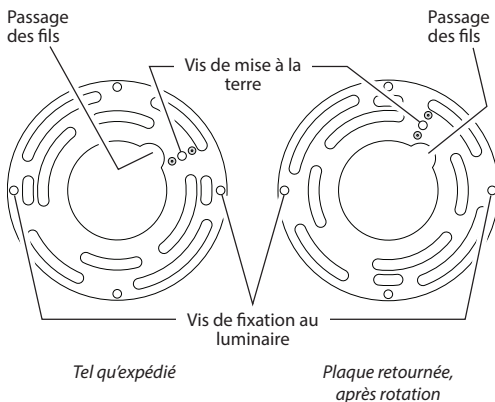
1. Retirez les deux écrous décoratifs.
2. Retirez le support de montage.
3. Serrez à la main les vis de la croix.
4. Fixez le support de montage à la boîte de jonction.



Ce luminaire vous est fourni avec un support universel; déjà fixé au luminaire, ce support convient à la majorité des boîtes de raccordement électrique.

Toutefois, si les rainures de la support de montage ne correspondent pas aux trous des vis de la boîte :

1. Retirez les vis de fixation au luminaire de la support de montage. *Remarque* : Ne retirez pas la vis de mise à la terre.
2. Fixez la « rallonge » du fil de terre à la vis de mise à la terre de la support de montage (consultez la section *Méthode de mise à la terre recommandée* pour plus de détails).
3. Retournez la support de montage.
4. Faites tourner la support de montage de sorte que l'orifice de passage des fils se trouve dans le coin supérieur droit. *Remarque* : L'orifice de passage des fils de la support de montage doit être placé comme illustré ci-dessous pour permettre le passage des fils à l'arrière du luminaire.
5. Remettez en place les vis de fixation au luminaire et la vis de mise à la terre, puis fixez la support de montage à la boîte de raccordement, comme illustré.

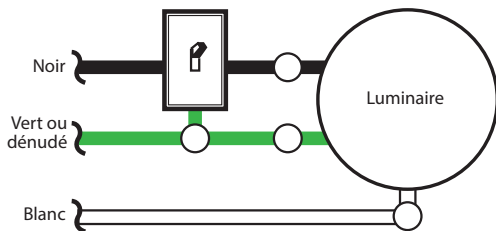


Remarque : Il est recommandé de demander à une autre personne de tenir la lanterne pendant le passage des fils.

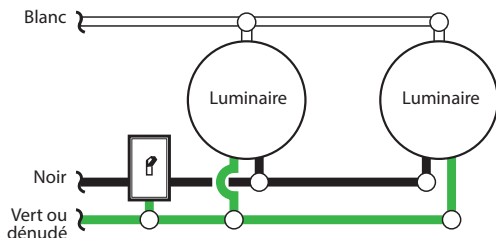
BRANCHEMENT DU LUMINAIRE

⚠ MISE EN GARDE : Coupez l'alimentation au disjoncteur ou au fusible.

Remarque : Le câblage doit être conforme aux exigences du Code national de l'électricité et être installé dans des canalisations ou autres dispositifs acceptables. **Si vous avez des doutes concernant la convenance du système, consultez un électricien reconnu.**



Une lanterne à détecteur de mouvement



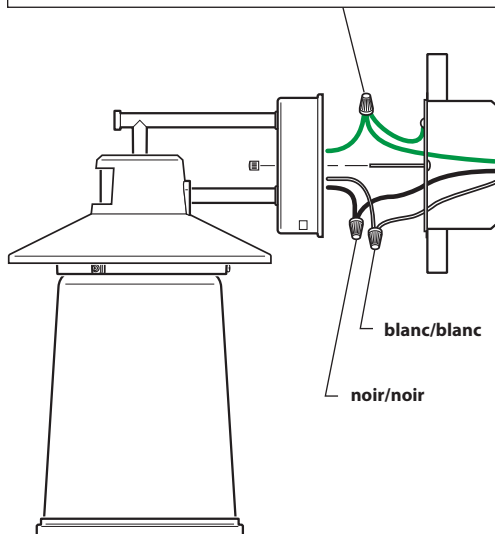
Deux lanternes à détecteur de mouvement

Branchez les fils du luminaire aux fils dans la boîte de raccordement. Torsadez ces fils ensemble, puis ajoutez-y un connecteur de fils.



Méthode de mise à la terre recommandée

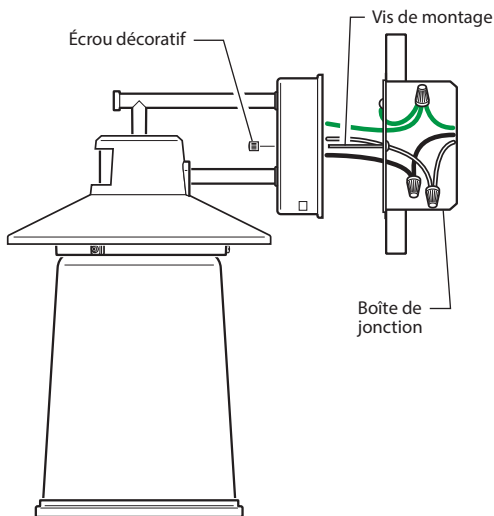
Utilisez une «queue de cochon» verte (non fournie) et torsadez-en une extrémité avec le fil nu du luminaire et le fil de terre de la boîte de jonction. Utilisez un serre-fils. Fixez l'autre extrémité de la «queue de cochon» avec la vis de terre (GND) sur la support de montage.



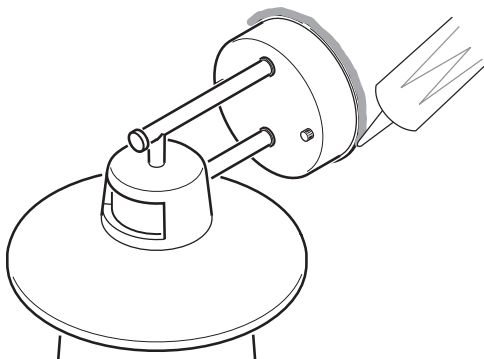
Si la boîte de jonction est en métal, vous pourriez nécessiter une «queue de cochon» verte. Si vous avez des doutes sur la méthode de mise à la terre, consultez votre code du bâtiment.

MONTAGE DU LUMINAIRE

1. Assurez-vous que les capuchons de connexion et les fils sont bien insérés dans la boîte de jonction.
2. Faites glisser le socle du luminaire sur les vis de montage. Serrez solidement les écrous décoratifs retirés à l'étape 1 de la section *Installation du luminaire* contre la base du luminaire base.



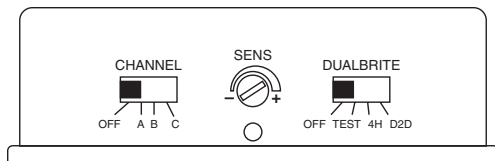
3. Installez une ampoule à culot moyen (maximum de 100 W, tungstène à incandescence).
4. **Calfeutrez autour de la base du luminaire avec du mastic silicone résistant aux intempéries.**



Scellant d'étanchéité autour de la base

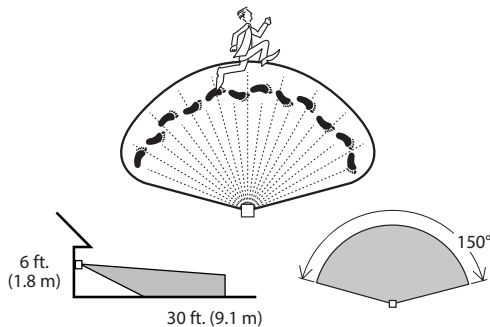
ESSAIS ET RÉGLAGES

Le mode TEST contourne le fonctionnement de la photo-cellule (qui coupe l'éclairage le jour) et permet de faire l'essai du luminaire de jour comme de nuit lorsque le commutateur DUALBRITE est en position TEST. L'éclairage demeure allumé pendant cinq secondes après que le mouvement s'est arrêté.



Commandes du détecteur

1. Faites glisser le commutateur CHANNEL en position OFF.
2. Placez le commutateur DUALBRITE en position TEST.
3. Réglez la commande de sensibilité (SENS) à la position MIN.
4. Réenclenchez le disjoncteur ou le fusible et placez l'interrupteur à ON.
5. Laissez le détecteur se réchauffer complètement (90 secondes) avant de commencer le réglage.
6. Effectuez un test de passage. Déplacez-vous dans la zone de couverture, en remarquant l'endroit où vous trouvez lorsque la lumière s'allume.
7. Arrêtez-vous, attendez que la lumière s'éteigne (5 secondes), puis recommencez à marcher. Continuez ainsi jusqu'à ce que vous ayez établi la zone de détection.



Portée maximale

Angle de couverture maximale
(Vue en plongée)

8. Régler la sensibilité (SENS) selon les besoins. Une trop grande sensibilité pourrait entraîner des déclenchements intempestifs attribuables à des sources de chaleur dans la zone de couverture (consultez les sections *Essais et réglages* ou *Guide de dépannage*).

INTERCONNEXION DES LUMINAIRES

Ce luminaire intègre la technologie Link qui permet d'interconnecter sans fil de multiples luminaires. Les luminaires peuvent être interconnectés par le biais d'une à trois voies pour créer des zones d'éclairage interconnectées. Consultez la section *Technologie Link* pour plus de détails.

1. Faites glisser le commutateur CHANNEL sur la voie souhaitée (A, B ou C) sur tous les luminaires à interconnecter.
2. Faites glisser le commutateur DUALBRITE en position TEST sur tous les luminaires sélectionnés. *Remarque:* Le mode TEST contourne la photocellule (qui ferme le luminaire pendant la journée), permettant de faire l'essai du luminaire de jour comme de nuit.
3. Marchez devant chaque luminaire pour vous assurer que tous les luminaires interconnectés sont déclenchés par un des autres luminaires du groupe. *Remarque:* Les luminaires pourraient ne pas tous s'allumer simultanément en raison du délai de transmission du signal.

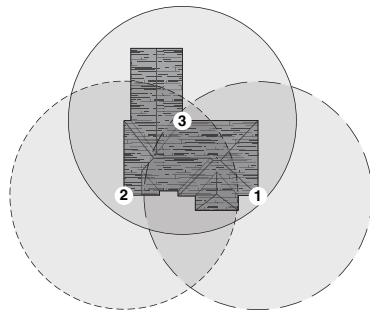
RÉGLAGE FINAL

1. Une fois l'essai terminé, faites glisser le commutateur DualBrite jusqu'à la valeur désirée de fonctionnement du luminaire à faible intensité une fois la nuit tombée [Arrêt (Off), 4 hres, Du coucher au lever (Dusk-to-Dawn - D2D)]. Consultez la section sur la *Commande DualBrite^{MD} facultative* pour plus de détails.
2. Le délai pendant lequel les luminaires demeurent allumés à pleine puissance après qu'AUCUN mouvement n'est détecté par TOUS les luminaires reliés est pré-réglé à 5 minutes.

TECHNOLOGIE LINK

La technologie Link permet l'interconnexion sans fil de multiples luminaires. Lorsque l'un des luminaires détecte un mouvement, il s'allume à pleine intensité et envoie un signal sans fil. Tous les luminaires à portée et interconnectés à la même voie s'allument alors aussi à pleine intensité. Chaque fois qu'un luminaire reçoit un signal, il le renvoie de sorte que les autres luminaires à portée du premier luminaire s'allument aussi à pleine intensité. Les luminaires peuvent être interconnectés par le biais d'une à trois voies (A, B ou C) pour créer des zones d'éclairage interconnectées. *Remarque:* Les luminaires interconnectés se ferment indépendamment les uns des autres, de sorte qu'il se pourrait qu'ils ne s'éteignent pas tous simultanément.

Exemple illustré: Le luminaire n° 1 détecte un mouvement et envoie un signal. Le luminaire n° 2 est hors de la portée du luminaire n° 1 et ne reçoit donc pas le signal. Le luminaire n° 3 est à portée du luminaire n° 1 et reçoit donc le signal. Le luminaire n° 3 s'allume, puis renvoie le signal. Le luminaire n° 2, qui est à portée du luminaire n° 3, s'allume. *Remarque:* Tous les luminaires émettent un signal au moment où ils s'allument, même si le commutateur DualBrite est en position OFF. Lorsque le luminaire est en mode manuel, il répète tous les signaux reçus, mais n'émet pas le premier signal.



MODES DE FONCTIONNEMENT

Mode:	Temps en circuit:	En fonction:	
		jour	nuît
Essai	5 secondes	x	x
Auto	5 minutes		x
Accentuation	Arrêt, 4 heures, Du coucher au lever		x
Manuel	6 heures ou à l'aube*		x

* Revient au mode automatique au lever du soleil.

Remarque : Après mise en circuit, attendre environ 1 1/2 minute pour que l'étalonnage du circuit soit complété.

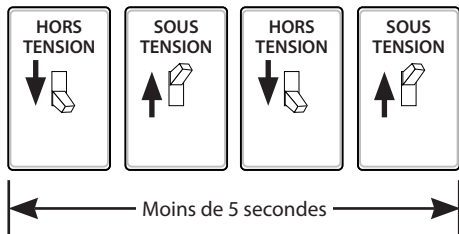
• **Détecteur de mouvement (AUTO)** – Ce luminaire est conçu pour s'allumer automatiquement lorsque le détecteur décele une différence de température qui se déplace devant lui dans la zone de couverture. Le délai pendant lequel les luminaires demeurent allumés à pleine puissance après qu'AUCUN mouvement n'est détecté par TOUS les luminaires reliés est préréglé à 5 minutes.

• **Commande DualBrite^{MD} facultative** – Le mode DualBrite est une fonction réglable du luminaire qui permet d'allumer l'éclairage à intensité réduite à la brunante. Le luminaire demeure allumé à intensité réduite pendant la durée sélectionnée [Arrêt (Off), 4 hrs, Du coucher au lever (Dusk-to-Dawn - D2D)]. Lorsqu'un mouvement est détecté, l'éclairage s'allume à pleine intensité. Le luminaire demeure allumé à pleine intensité pendant 5 minutes après que TOUT mouvement a cessé devant TOUS les luminaires interconnectés. L'éclairage repasse ensuite à intensité réduite. Une fois le délai de la minuterie DualBrite écoulé, l'éclairage s'allume uniquement lorsqu'un mouvement est détecté par l'un des luminaires interconnectés. La sélection de OFF désactive la fonction DualBrite, mais les fonctions de détection de mouvement et de Link continueront à fonctionner.

Pour ce qui est des luminaires interconnectés, le premier luminaire qui décele la noirceur allume tous les luminaires interconnectés à la même voie lorsque la commande de la minuterie DualBrite de ces luminaires est en position ON. Les luminaires interconnectés se ferment indépendamment les uns des autres, de sorte qu'il se pourrait qu'ils ne s'éteignent pas tous simultanément.

• **Mode Manuel** – Le mode MANUAL contourne le fonctionnement du détecteur de mouvement et la commande DUALBRITE de sorte que le luminaire fonctionne à pleine puissance. Cette caractéristique fonctionne seulement à nuit, et une seule nuit à la fois. Le détecteur de mouvement repasse en mode détection après six heures ou au moment du lever du soleil, selon la première éventualité. Le mode manuel peut aussi être activé et désactivé au moyen d'un interrupteur mural. *REMARQUE :* Lorsque l'alimentation du luminaire est coupée pendant plus de cinq secondes, laissez le détecteur de mouvement se réchauffer avant de passer au mode manuel.

1. Assurez-vous que le luminaire est bien SOUS TENSION et que le détecteur a eu le temps de se réchauffer (90 secondes).
2. Pour activer le mode Manuel à la nuit tombée, actionner l'interrupteur mural selon la séquence « ARRÊT-MARCHE-ARRÊT-MARCHE » en moins de 5 secondes.
3. Pour désactiver le mode manuel, exécutez la séquence HORSTENSION-SOUS TENSION-HORSTENSION-SOUS TENSION en moins de 5 secondes à l'interrupteur mural.



IMPORTANT : Si le mode Manuel n'est pas automatiquement ACTIVÉ ou DÉSACTIVÉ, essayez de réduire la fréquence de MISE SOUS/HORSTENSION de l'appareil au moyen de l'interrupteur mural, tout en actionnant toutefois ce dernier en moins de 5 secondes.

ENTRETIEN ET MAINTENANCE

- Pour conserver l'apparence originale du luminaire, nettoyez-le uniquement au moyen d'eau douce et d'un chiffon mouillé.
- N'appliquez aucune peinture, solvant ou produit chimique sur ce luminaire. Cela pourrait entraîner une détérioration prématurée du fini. Il ne s'agit pas d'un défaut du fini et ce ne sera pas couvert dans le cadre de la garantie.
- Évitez d'asperger au moyen d'un boyau ou d'un nettoyeur à pression.

GUIDE DE DÉPANNAGE

SYMPTÔME	CAUSE POSSIBLE	SOLUTION
L'éclairage ne s'allume pas.	<ol style="list-style-type: none"> 1. L'interrupteur d'éclairage est hors tension. 2. L'ampoule est lâche ou grillée. 3. Le fusible a sauté ou le disjoncteur a été déclenché. 4. La fonction de fermeture pendant le jour est activée. 5. Capteur, sans détection de mouvement. 6. Mauvais câblage du circuit, dans le cas d'une nouvelle installation. 7. La température de l'air extérieur est proche de la température corporelle d'une personne. 	<ol style="list-style-type: none"> 1. Mettre l'interrupteur sous tension. 2. Vérifier l'ampoule et la remplacer si elle est grillée. 3. Remplacer le fusible ou ré-enclencher le disjoncteur. 4. Essayer de nouveau après la tombée de la nuit. 5. Augmenter le réglage de la sensibilité. 6. S'assurer que le câblage est approprié. 7. Augmenter le réglage de la sensibilité.
L'éclairage s'allume en plein jour.	<ol style="list-style-type: none"> 1. Le détecteur de mouvement est installé dans un endroit relativement sombre. 2. Le commutateur DUALBRITE est en position TEST. 	<ol style="list-style-type: none"> 1. Le luminaire fonctionne normalement dans de telles conditions. 2. Réglez le commutateur DUALBRITE en position Arrêt (Off), 4 hres, Du coucher au lever (Dusk-to-Dawn - D2D).
L'éclairage s'allume sans raison apparente.	<ol style="list-style-type: none"> 1. Le capteur détecte de petits animaux ou la circulation automobile. 2. Le réglage de sensibilité est trop élevé. 3. Le commutateur « DUALBRITE » est en position 3, 6 ou DUSK TO DAWN (D2D). 4. Le luminaire est interconnecté avec un autre luminaire. 5. Le luminaire est sur la même voie que celle d'un luminaire interconnecté à un voisin. 6. La température extérieure est de loin supérieure ou inférieure à la température corporelle d'une personne (été ou hiver). 7. Le luminaire est branché à un gradateur ou à une minuterie. 	<ol style="list-style-type: none"> 1. Réduisez la portée. 2. Réduisez la sensibilité. 3. Le luminaire fonctionne normalement dans ces circonstances. 4. Le luminaire fonctionne normalement lorsqu'il est interconnecté. L'option Link peut être désactivée (OFF) ou configurée pour une autre voie. 5. Faites passer à voie des luminaires touchés à une autre voie. 6. Réduisez la sensibilité. 7. N'utilisez pas de gradateur ni de minuterie pour commander l'éclairage. Remplacez le gradateur ou la minuterie par un interrupteur mural standard.
L'éclairage s'éteint trop tard lorsqu'il est réglé à DUSK TO DAWN (D2D).	Le luminaire est installé dans un endroit relativement sombre.	Déplacez le luminaire ou utilisez le réglage 4 heures (4 hour).
Les luminaires dotés de la technologie Link ne s'activent pas les uns les autres.	<ol style="list-style-type: none"> 1. Les luminaires reliés ne sont pas configurés sur le même canal. 2. De nombreux obstacles créent de l'interférence entre les luminaires reliés. 	<ol style="list-style-type: none"> 1. Assurez-vous que les luminaires reliés sont configurés sur le même canal. 2a. Ajouter un luminaire Link entre les luminaires en place pour créer un point de relais supplémentaire. 2b. Rapprochez les luminaires Link les uns des autres.
L'éclairage demeure allumé continuellement.	<ol style="list-style-type: none"> 1. Le capteur peut percevoir une source de chaleur comme une sortie d'air, un évent de sècheuse ou une surface de couleur claire réfléchissant la chaleur. 2. Le détecteur de mouvement est en mode manuel. 3. Un des luminaires interconnectés détecte continuellement un mouvement et garde allumés tous les luminaires interconnectés. 4. De multiples luminaires détectent un mouvement et gardent tous les luminaires interconnectés allumés. 5. La commande d'éclairage est en mode DUALBRITE^{MD}. 6. Le réglage de portée est trop élevé. 7. Le luminaire est branché à un gradateur ou à une minuterie. 8. Le luminaire est branché au même circuit qu'un moteur, un transformateur ou un fluorescent. 	<ol style="list-style-type: none"> 1. Réduisez la portée. 2. Placez le détecteur de mouvement en mode AUTO. Consultez la section <i>Mode manuel</i> à la page 27. 3. Les luminaires fonctionnent normalement dans de telles situations. 4. Les luminaires fonctionnent normalement dans de telles situations. 5. Faire glisser le commutateur DUALBRITE^{MD} en position OFF. 6. Réduisez la sensibilité. 7. N'utilisez pas de gradateur ni de minuterie pour commander l'éclairage. Remplacez le gradateur ou la minuterie par un interrupteur mural standard. 8. Branchez le luminaire à un circuit ne comportant pas de moteur, de transformateur ni de fluorescent.

GUIDE DE DÉPANNAGE

L'éclairage clignote.	<ol style="list-style-type: none">1. La commande d'éclairage est en mode essai et se réchauffe.2. La chaleur qui est réfléchiée par d'autres objets peut affecter la commande d'éclairage.	<ol style="list-style-type: none">1. En mode TEST, l'éclairage demeure allumé seulement pendant 5 secondes. Réglez le commutateur DUALBRITE en position Arrêt (Off), 4 hrs, Du coucher au lever (Dusk-to-Dawn - D2D).2. Réduisez la portée.
Changements saisonniers de température – Plus la température environnante se rapprochera de la température corporelle d'une personne, moins le détecteur semblera sensible. Plus l'écart de température sera important, plus le détecteur semblera sensible. La commande SENS pourrait devoir être réglée de nouveau, en direction du MIN ou du MAX, à mesure que la température change d'une saison à l'autre. Cela fait partie du fonctionnement normal du détecteur du luminaire.		

FICHE TECHNIQUE

Portée	Jusqu'à 9,1 m [varie selon la température environnante]
Angle de détection	Jusqu'à 150°
Charge électrique	Jusqu'à une ampoule incandescentes, pour un maximum de 100 Watt
Type d'ampoule	Culot moyen, type A, 100 W maximum
Courant requis	120 V c.a., 60 Hz
Modes de fonctionnement	ESSAI, DÉCL. PAR MOUV et CONTOURNEMENT MANUEL
Minuterie de fonctionnement	5 minutes (non réglable)
Minuterie de DUALBRITE ^{MD}	Fermé, 4 heures, crépuscule-aurore (D2D)
Minuterie d'essai	5 secondes
Minuterie du mode MANUEL	Maximum de 6 heures ou jusqu'à l'aube, selon la première éventualité
Portée de la technologie Link	Jusqu'à 30,5 m (100 pi) entre chacun des luminaires Link [varie en fonction des obstacles adjacents].

SERVICE TECHNIQUE

Veillez faire le 1 800 858-8501 (service en anglais seulement) pour obtenir de l'aide avant de retourner l'article au magasin.

En cas de problème, suivez ce guide. Vous pouvez aussi visiter notre site Web à www.hzsupport.com. Si le problème persiste, composez* le **1 800 858-8501** (service en anglais seulement), entre 8 h 00 et 17 h 00, HNC, du lundi au vendredi. Vous pouvez aussi écrire au :

HeathCo LLC
P.O. Box 90045

Bowling Green, KY 42102-9045
ATTN: Technical Service (Service technique)

* Lors d'un appel au service technique, veuillez avoir les renseignements suivants à portée de main : numéro du modèle, date d'achat et endroit de l'achat.

Aucune pièce de rechange n'est disponible pour ce produit.

Veillez conserver le reçu portant la date d'achat; vous en aurez besoin pour toutes vos demandes liées à la garantie.

GARANTIE LIMITÉE DE 2 ANS

Il s'agit d'une « Garantie limitée » qui vous confère des droits juridiques spécifiques. Vous pouvez également jouir d'autres droits, variables d'une province à l'autre.

Pendant une période de 2 ans à compter de la date d'achat, tout dysfonctionnement causé par un défaut de pièce ou de main d'œuvre sera, à la seule discrétion de HeathCo LLC, gratuitement réparé ou l'appareil gratuitement remplacé.

Exclusions de la garantie - Réparations, réglage et calibrage dus à une mauvaise utilisation, un mauvais traitement ou à la négligence. Les ampoules, les piles et des autres articles non durables ne sont pas couverts par cette garantie. Les dommages causés au luminaire qui seraient attribuables à l'utilisation de produits chimiques ou d'une machine à laver à pression ne sont pas couverts par la garantie. Le service non autorisé ou la modification du produit ou d'un ou l'autre de ses composants fournis invalidera totalement la présente garantie. Cette garantie n'inclut pas le remboursement pour le dérangement, l'installation, le réglage, la perte d'utilisation, le service non autorisé ou les frais d'expédition pour le renvoi de la marchandise. HeathCo LLC se réserve le droit d'abandonner tout produit et d'en changer les spécifications, en tout temps et sans contracter quelque obligation que ce soit quant à l'incorporation de nouvelles caractéristiques aux produits déjà vendus.

Exclusions de la garantie sur le fini - Le fini des luminaires installés à l'extérieur peut changer en raison de l'exposition prolongée au soleil, aux polluants et aux intempéries. Les finis métalliques vieillissent avec le temps, de sorte que leur apparence change pour adopter un fini patiné. La peinture des luminaires extérieurs peut se décolorer avec le temps, selon le degré d'exposition de l'appareil aux éléments extérieurs. Par conséquent, la décoloration, la dégradation de la couleur et l'apparence patinée du fini d'un luminaire extérieur ne peuvent faire l'objet d'une demande d'indemnisation en vertu de la garantie ci-dessus. Consultez la section Entretien et maintenance à la page 27 pour connaître la procédure appropriée de nettoyage du luminaire.

La garantie ne couvre que les produits assemblés HeathCo LLC et ne s'étend pas aux autres équipements et composants que le client pourrait utiliser conjointement avec nos produits.

CETTE GARANTIE TIENT EXPRESSÉMENT LIEU DE TOUTES AUTRES GARANTIES, EXPLICITES OU IMPLICITES, Y COMPRIS DE TOUTE GARANTIE DE REPRÉSENTATION OU DE CONDITION DE CONVENANCE À LA COMMERCIALISATION OU À L'EFFET QUE LES PRODUITS CONVIENNENT À UN BUT OU À UNE UTILISATION PARTICULIÈRE, ET SPÉCIFIQUEMENT DE TOUS DOMMAGES SPÉCIAUX, DIRECTS, INDIRECTS OU SECONDAIRES.

LE REMPLACEMENT OU LA RÉPARATION CONSTITUENT LE SEUL RECOURS DU CLIENT ET HEATHCO LLC NE POURRA ÊTRE TENUE RESPONSABLE DE TOUS DOMMAGES SPÉCIAUX, DIRECTS, INDIRECTS OU SECONDAIRES, Y COMPRIS, SANS S'Y LIMITER, LES PERTES COMMERCIALES ET PERTES DE PROFIT, QU'ELLES SOIENT PRÉVISIBLES OU NON. Certaines provinces n'autorisent pas l'exclusion ou la limitation des dommages indirects ou secondaires, et la limitation ou l'exclusion ci-dessus pourrait ne pas s'appliquer à vous.

Veillez conserver le reçu portant la date d'achat; vous en aurez besoin pour toutes vos demandes liées à la garantie.

Cet appareil est conforme aux exigences de la Partie 15 des Règles du FCC. Son utilisation est assujettie aux deux conditions suivantes : (1) cet appareil ne doit pas causer d'interférence nocive; (2) cet appareil doit accepter les interférences, y compris celles qui peuvent causer un fonctionnement non désiré.

CAN ICES-005 (B)/NMB-005 (B)

Avertissement : Toute modification apportée à cet appareil sans l'approbation explicite de la partie responsable de la conformité pourrait annuler l'autorisation d'utiliser l'équipement.

Remarque : Cet appareil a été testé et déclaré conforme aux limites pour appareils numériques de classe B, selon la section 15 des règlements de la FCC. Ces limites sont destinées à assurer une protection raisonnable contre les interférences nuisibles dans une installation résidentielle. Cet appareil produit, utilise et peut émettre de l'énergie radio électrique et, s'il n'est pas installé et utilisé conformément aux présentes instructions, peut causer des interférences nuisibles aux communications radio. Il n'existe toutefois aucune garantie que de telles interférences ne se produiront pas dans une installation particulière. Si cet appareil cause des interférences nuisibles à la réception des signaux de radio ou de télévision, ce qui peut être déterminé en allumant et en éteignant l'appareil, on encourage l'utilisateur d'essayer de corriger ces interférences par l'un des moyens suivants :

- Réorienter ou repositionner l'antenne de réception.
- Augmenter la distance séparant l'appareil du récepteur.
- Brancher l'appareil sur un circuit électrique différent de celui où le récepteur est branché.
- Consulter le détaillant ou un technicien spécialisé en radio/télévision.

L'émetteur/récepteur exempt de licence contenu dans le présent appareil est conforme aux CNR d'Innovation, Sciences et Développement économique Canada applicables aux appareils radio exempts de licence. L'exploitation est autorisée aux deux conditions suivantes :

1. L'appareil ne doit pas produire de brouillage;
2. L'appareil doit accepter tout brouillage radioélectrique subi, même si le brouillage est susceptible d'en compromettre le fonctionnement.

Nom de la partie responsable de la CFC : HeathCo LLC

Adresse : 2445 Nashville Road, Bowling Green, KY 42101 U.S.A.

Numéro de téléphone : 800-858-8501

Heath Zenith®

Purchase Information
Información de la compra
Renseignements d'achat

Model #: _____

Nº de modelo / Nº de modèle

Date of Purchase: _____

Fecha de compra / Date d'achat

Staple Purchase Receipt Here
Engrape aquí el recibo de compra
Agrafez le reçu d'achat ici

**PLEASE KEEP YOUR DATED SALES RECEIPT,
IT IS REQUIRED FOR ALL WARRANTY REQUESTS.**

**POR FAVOR GUARDE SU RECIBO DE VENTA FECHADO; SE LO
REQUIERE PARA CUALQUIER SOLICITUD DE GARANTÍA.**

**VEUILLEZ CONSERVER LE REÇU PORTANT LA DATE D'ACHAT;
VOUS EN AUREZ BESOIN POUR TOUTES VOS DEMANDES LIÉES
À LA GARANTIE.**